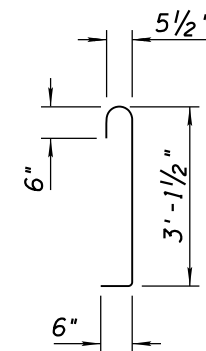
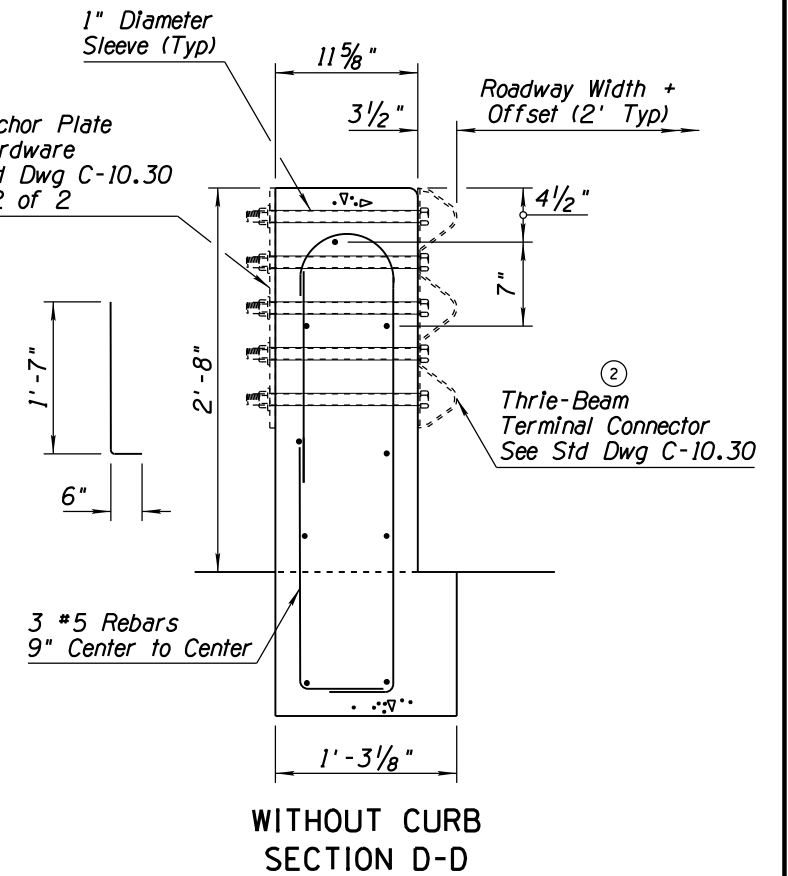
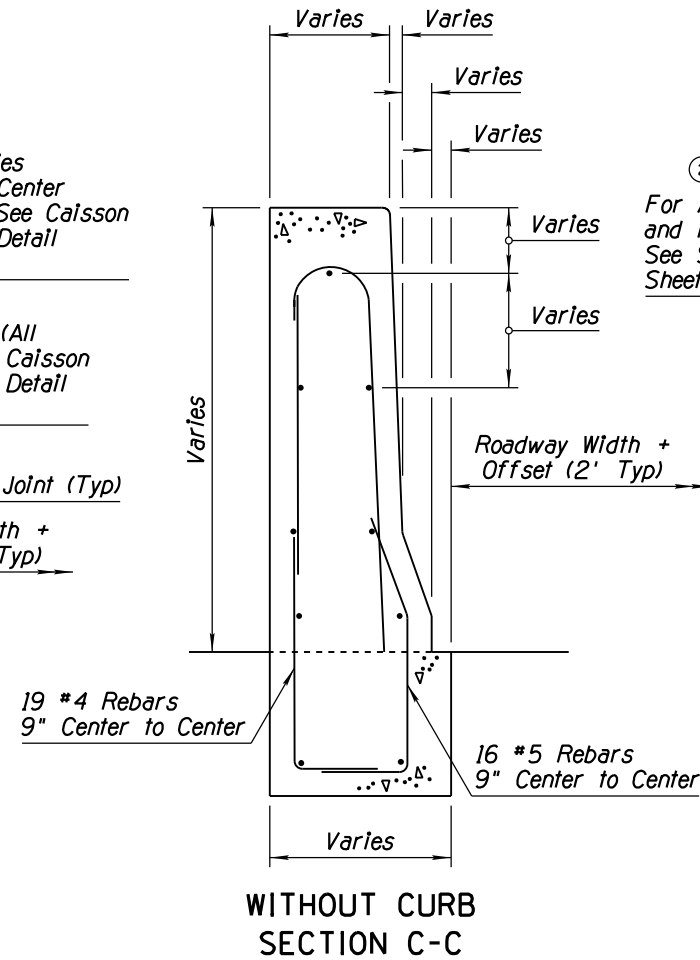
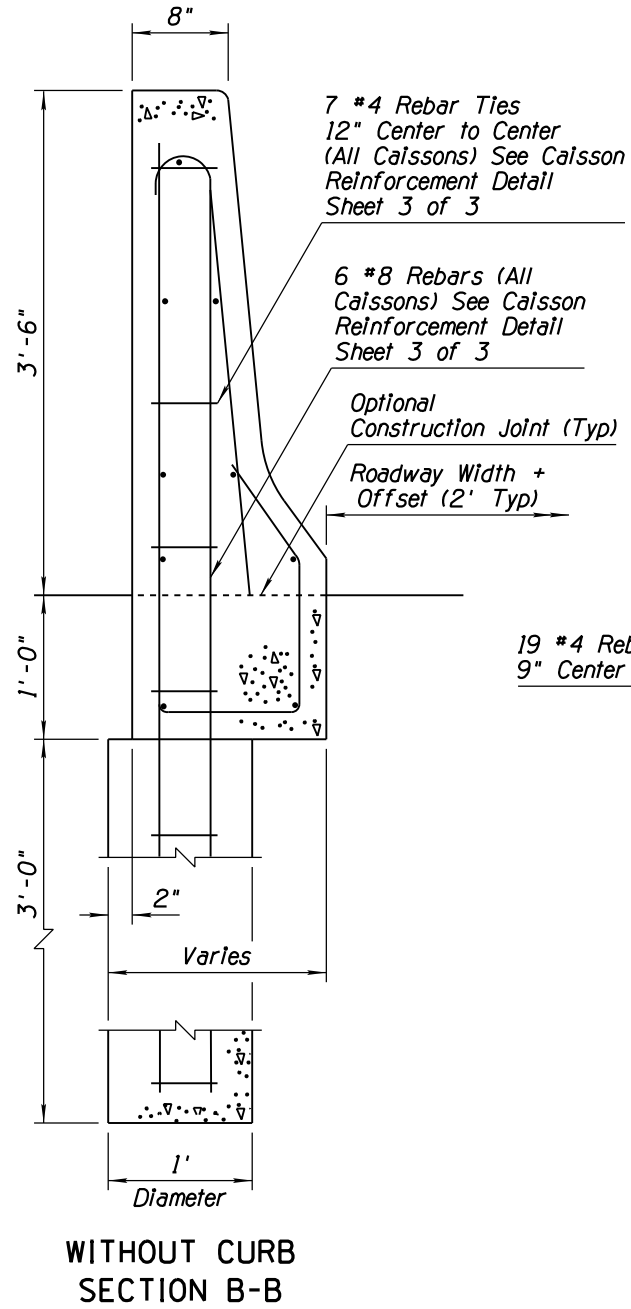
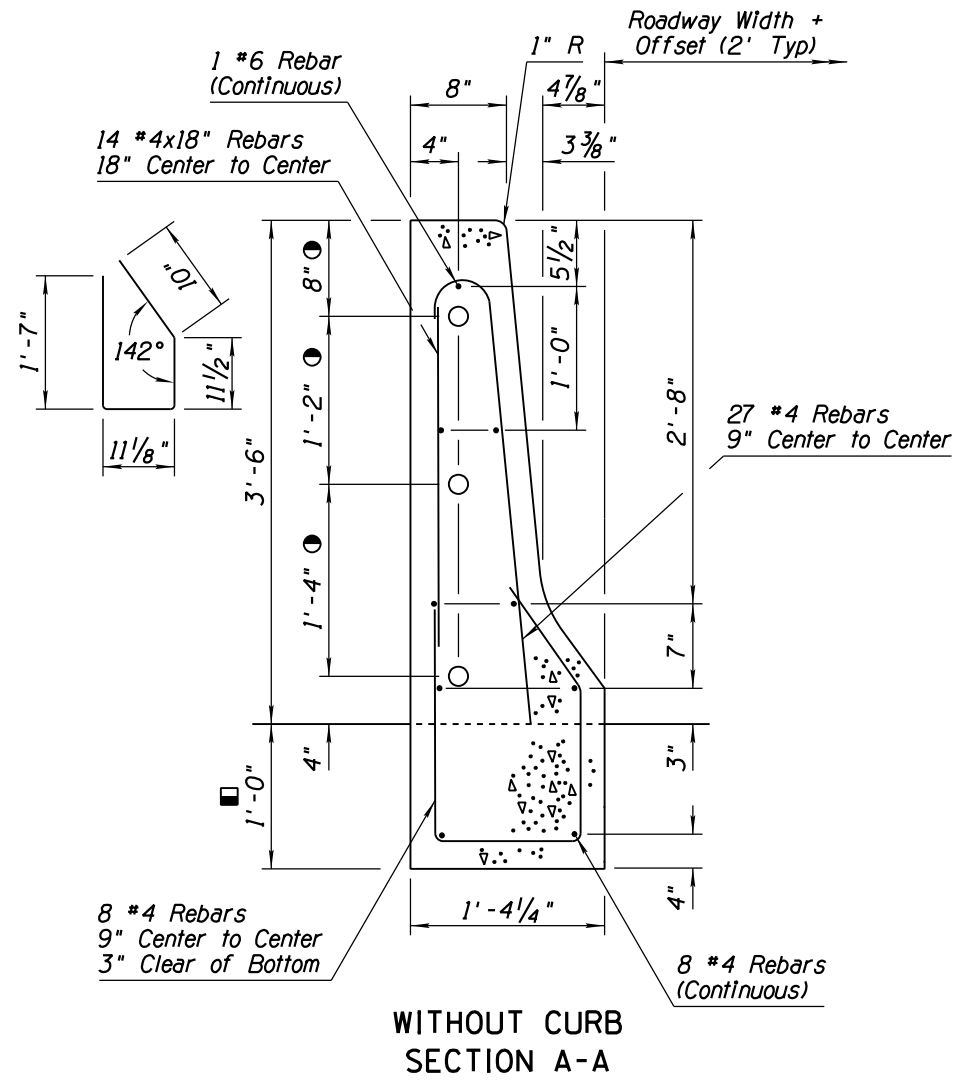
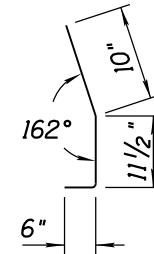
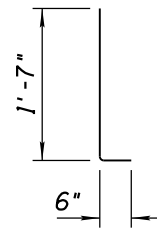
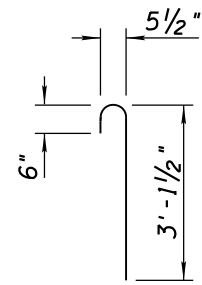


NO	DESCRIPTION OF REVISIONS	MADE BY	DATE
1	REISSUED STD DWG	RLF	9/04
2	REVISED NOTE	RLF	7/05
3			
4			

GENERAL NOTES

- See Section B-B for caisson reinforcement.
- See Optional Construction Joint Detail, Sheet 3 of 3
- 1'-0" Minimum or Match Thickness of Adjacent PCCP



APPROVED FOR DESIGN 	STATE OF ARIZONA DEPARTMENT OF TRANSPORTATION ROADWAY STANDARD DRAWINGS	REV. 5/12
APPROVED FOR DISTRIBUTION 	CONCRETE HALF-BARRIER TRANSITION TO VERTICAL 42" TO 32" TYPE 'F' WITH CAISSONS	DRAWING NO. C-10.72 Sheet 2 of 3