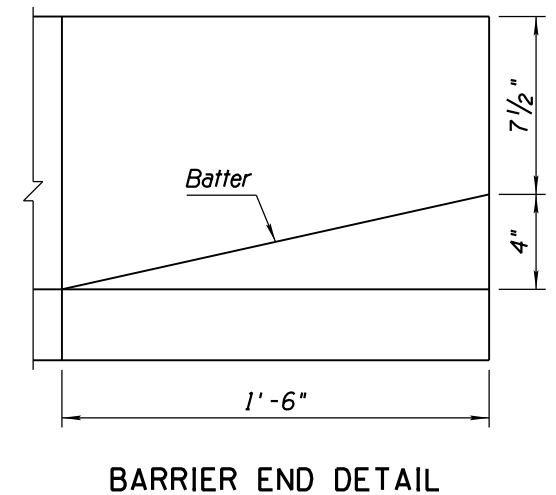
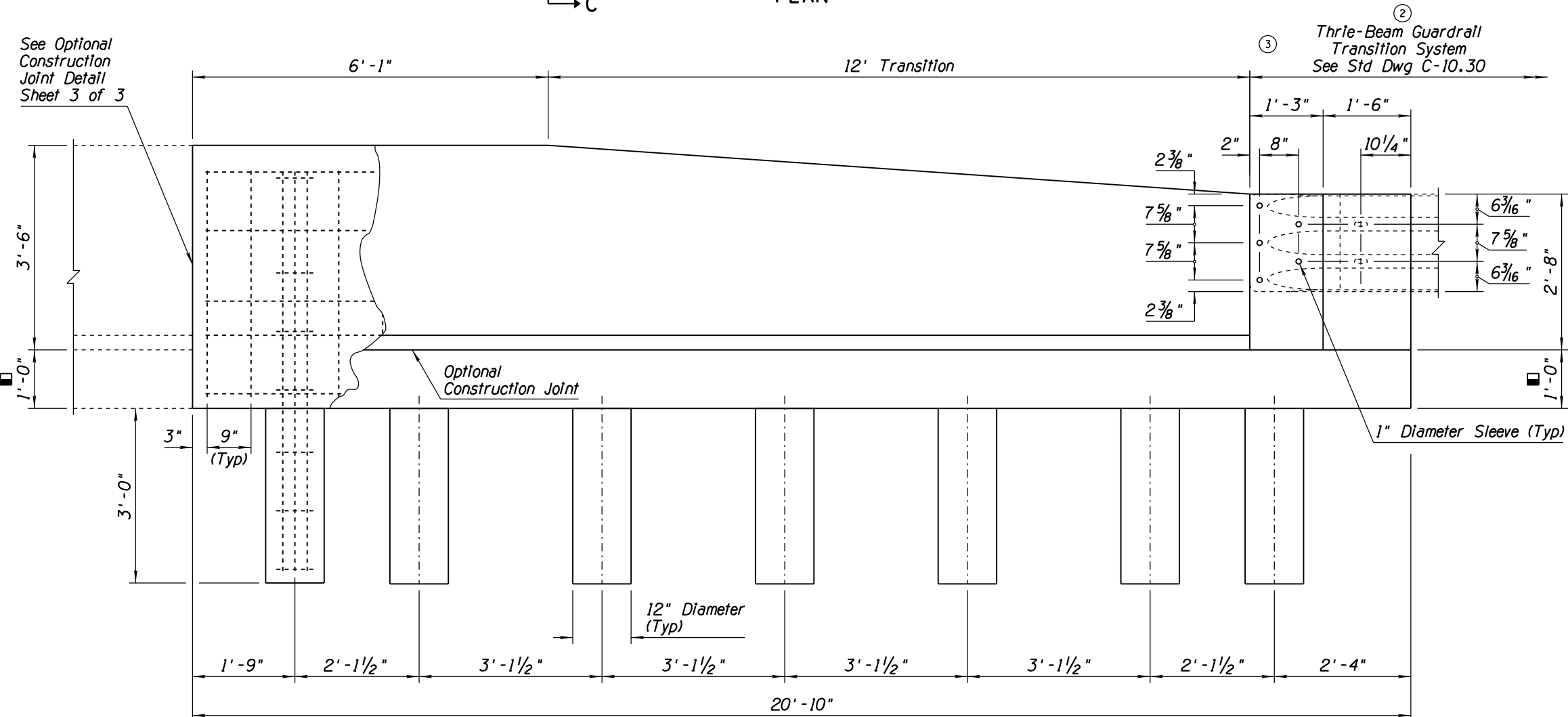
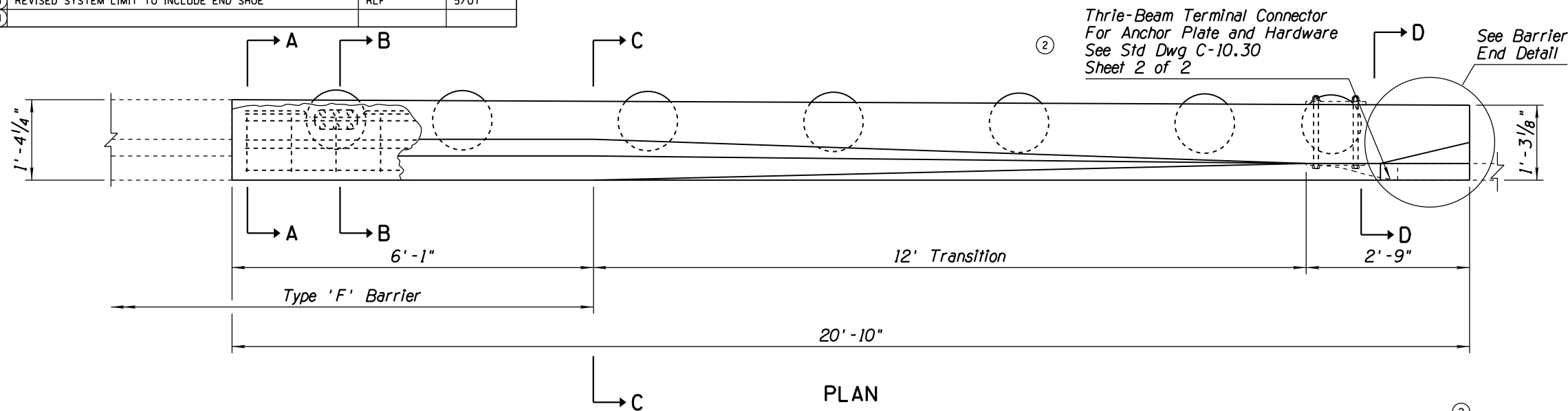


NO	DESCRIPTION OF REVISIONS	MADE BY	DATE
1	REISSUED STANDARD DRAWING	RLF	9/04
2	REVISED NOTE	RLF	7/05
3	REVISED SYSTEM LIMIT TO INCLUDE END SHOE	RLF	5/07
4			

GENERAL NOTES

1. Concrete shall be Class S, $f'_c = 4000$ PSI.
 2. All rebar shall have 2" minimum clear cover unless otherwise noted.
 3. All bend dimensions for rebar are out-to-out of rebars.
- 1'-0" Minimum or Match Thickness of Adjacent PCCP



APPROVED FOR DESIGN <i>[Signature]</i>	STATE OF ARIZONA DEPARTMENT OF TRANSPORTATION ROADWAY STANDARD DRAWINGS	REV. 5/12
APPROVED FOR DISTRIBUTION <i>[Signature]</i>	CONCRETE HALF-BARRIER TRANSITION TO VERTICAL 42" TO 32" TYPE 'F' WITH CAISSONS	DRAWING NO. ① C-10.72 Sheet 1 of 3