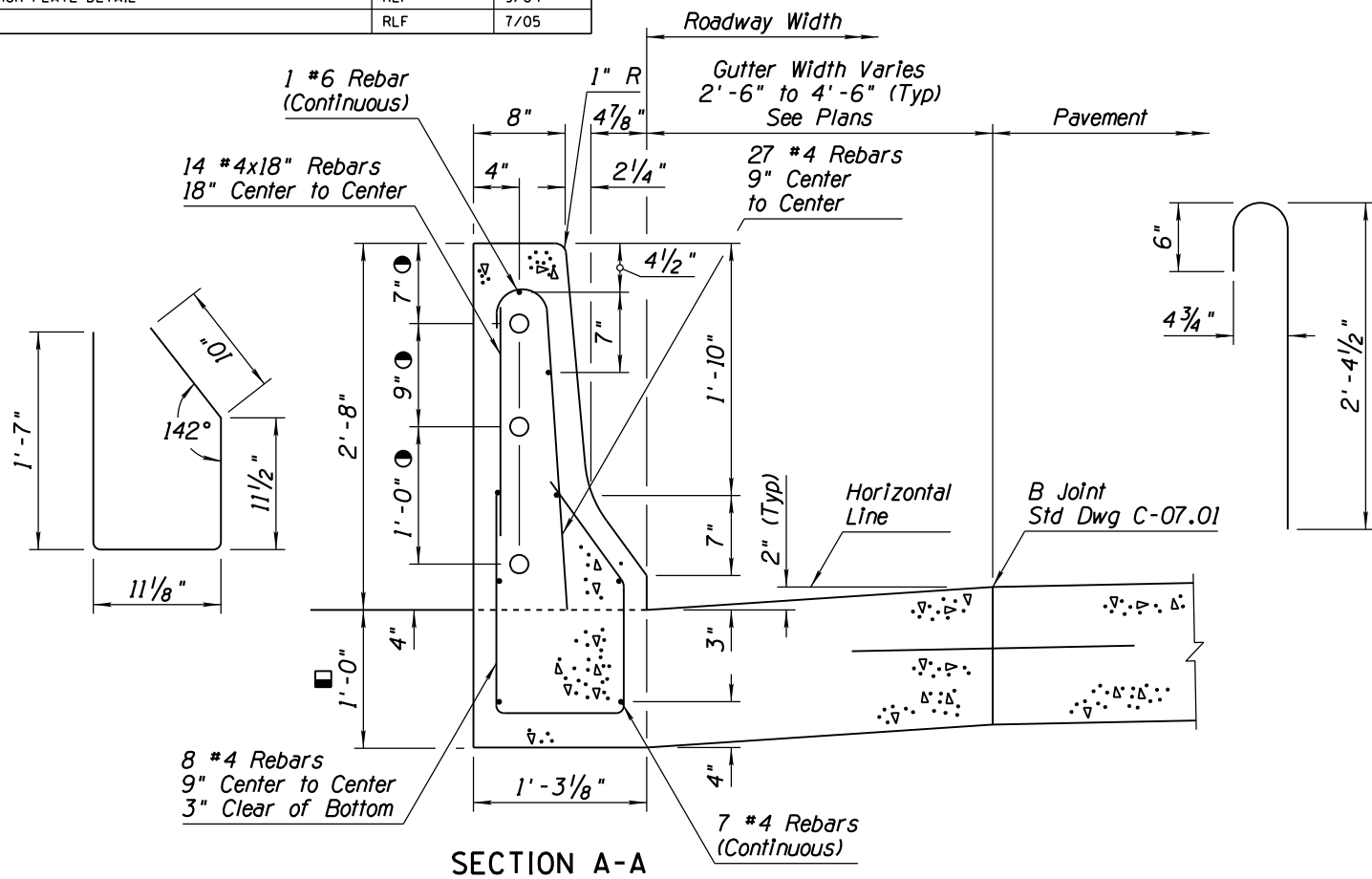
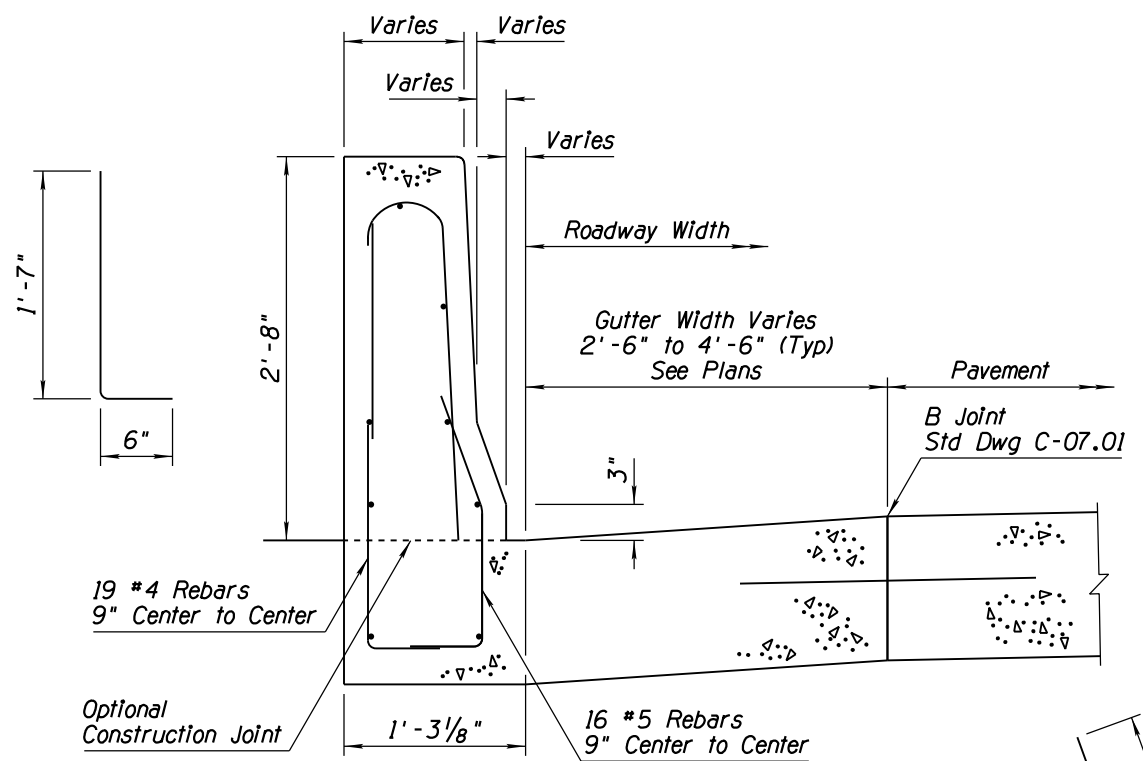


NO	DESCRIPTION OF REVISIONS	MADE BY	DATE
1	REISSUED STD DWG	RLF	9/04
2	ADDED REFERENCE	RLF	9/04
3	REMOVED ANCHOR PLATE DETAIL	RLF	9/04
4	REVISED NOTE	RLF	7/05

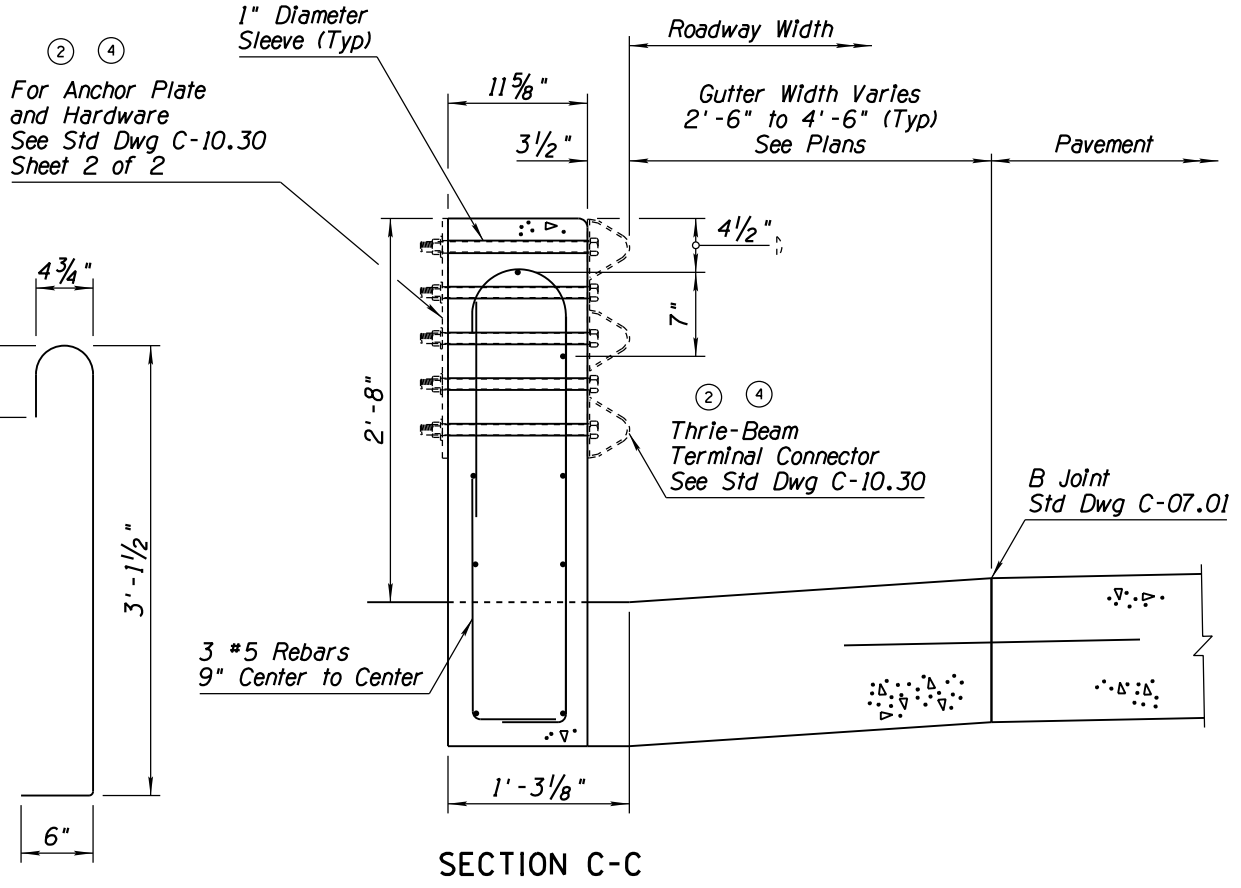
- See Optional Construction Joint Detail
- 1'-0" Minimum or Match Thickness of Adjacent PCCP



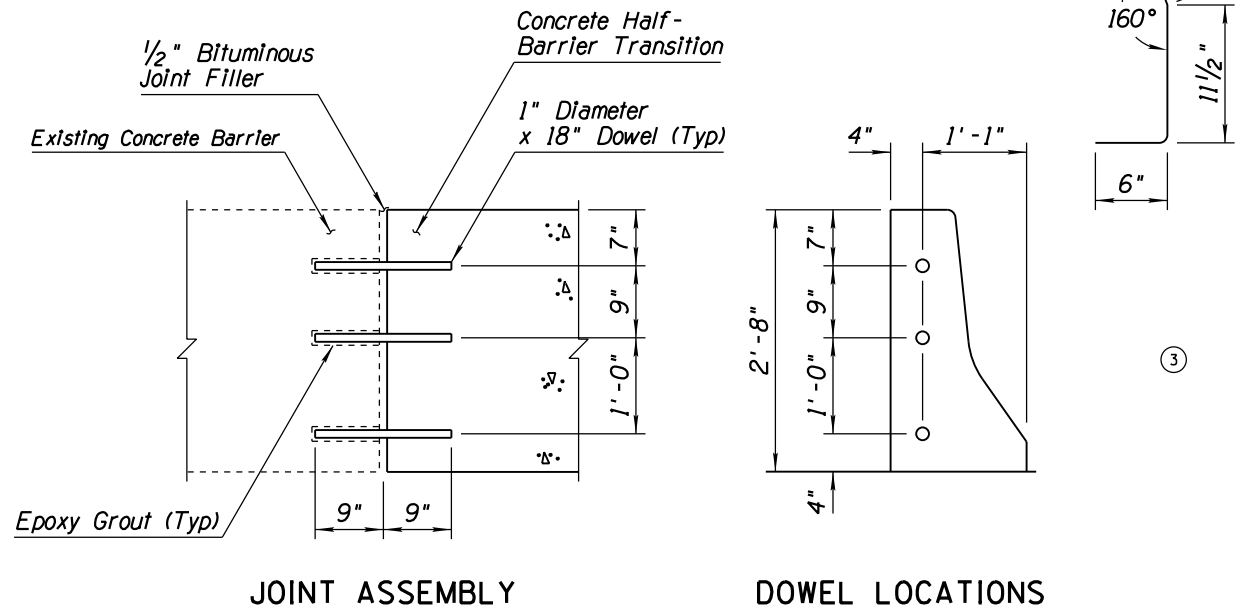
SECTION A-A



SECTION B-B



SECTION C-C



JOINT ASSEMBLY
DOWEL LOCATIONS
CONSTRUCTION JOINT DETAIL (OPTIONAL)

APPROVED FOR DESIGN 	STATE OF ARIZONA DEPARTMENT OF TRANSPORTATION ROADWAY STANDARD DRAWINGS	REV. 5/12
APPROVED FOR DISTRIBUTION 	CONCRETE HALF-BARRIER TRANSITION TO VERTICAL 32" TYPE 'F' WITH CURB & GUTTER	DRAWING NO. C-10.71 Sheet 2 of 2