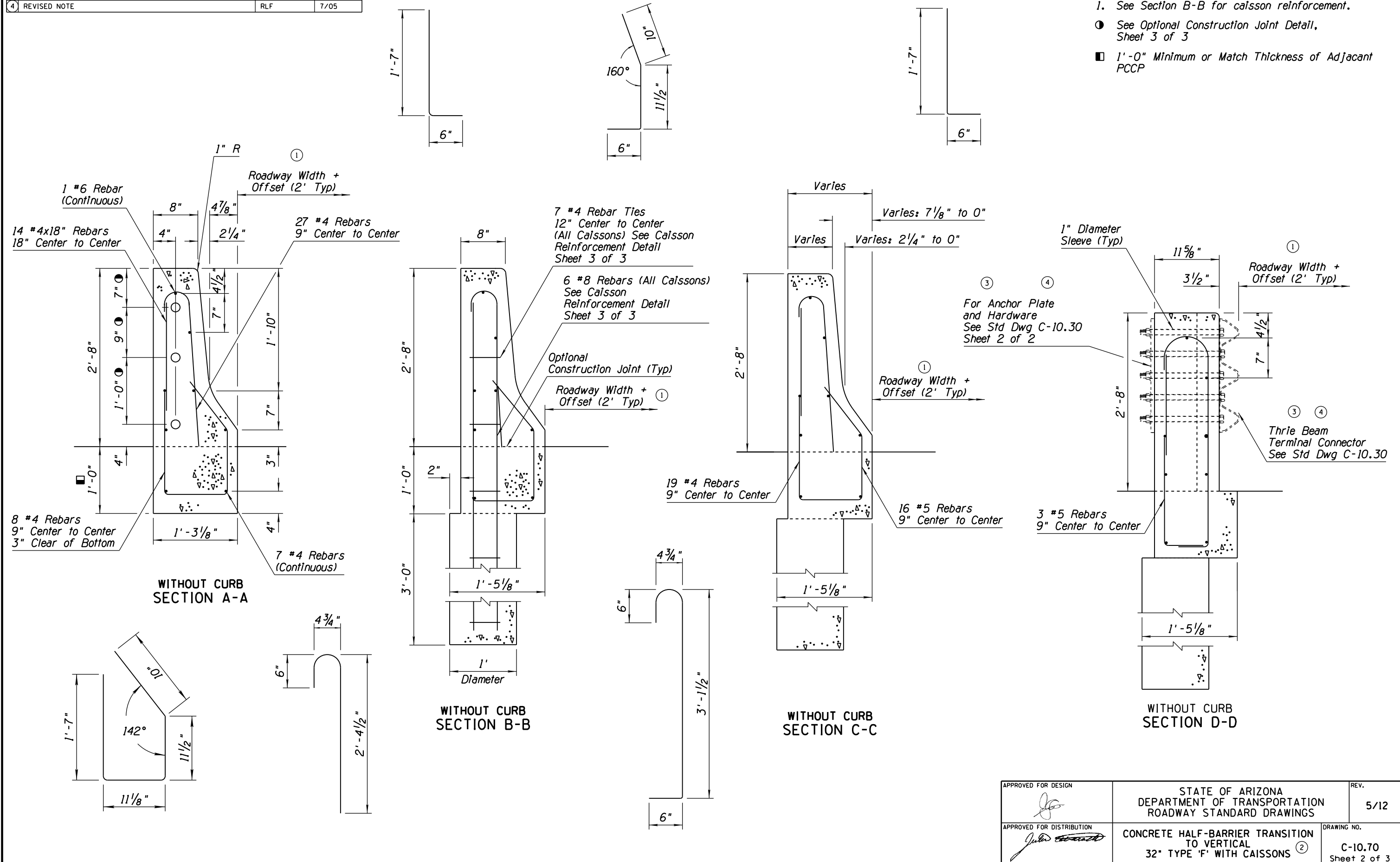


| NO | DESCRIPTION OF REVISIONS | MADE BY | DATE |
|----|--------------------------|---------|------|
| 1 | REVISED DIMENSION | RLF | 9/04 |
| 2 | REVISED TITLE | RLF | 9/04 |
| 3 | ADDED REFERENCE | RLF | 9/04 |
| 4 | REVISED NOTE | RLF | 7/05 |

GENERAL NOTES

- See Section B-B for caisson reinforcement.
- See Optional Construction Joint Detail, Sheet 3 of 3
- 1'-0" Minimum or Match Thickness of Adjacent PCCP



| | | |
|---|---|--|
| APPROVED FOR DESIGN <i>[Signature]</i> | STATE OF ARIZONA DEPARTMENT OF TRANSPORTATION ROADWAY STANDARD DRAWINGS | REV. 5/12 |
| APPROVED FOR DISTRIBUTION <i>[Signature]</i> | CONCRETE HALF-BARRIER TRANSITION TO VERTICAL 32" TYPE 'F' WITH CAISSONS ② | DRAWING NO. C-10.70 Sheet 2 of 3 |