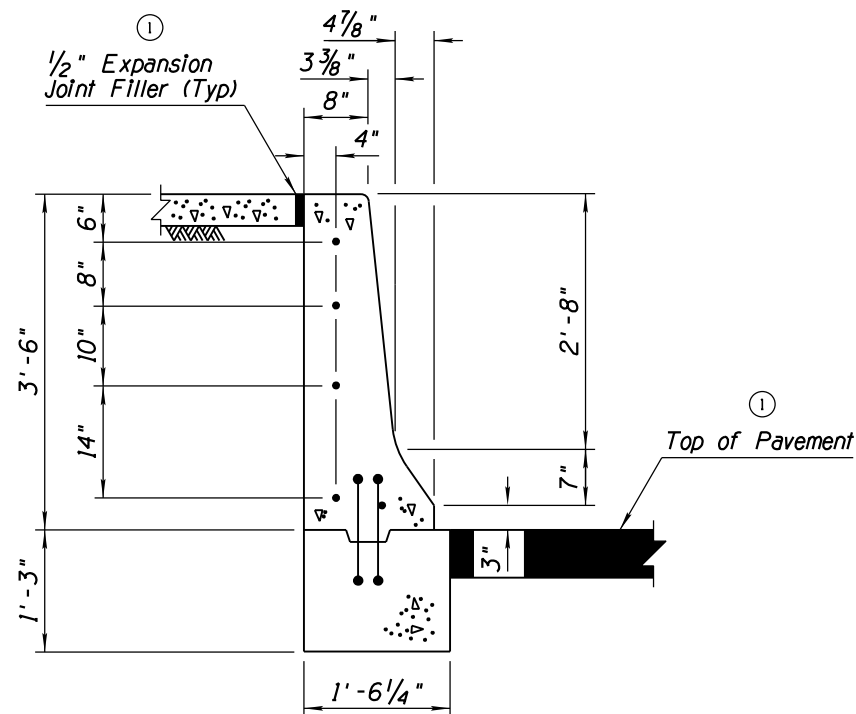
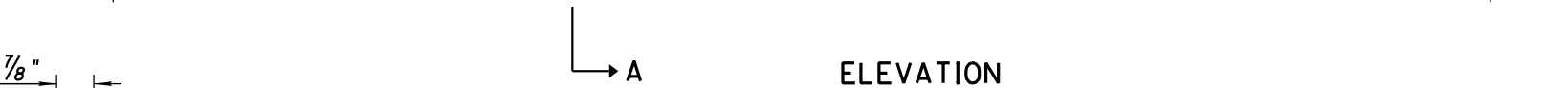
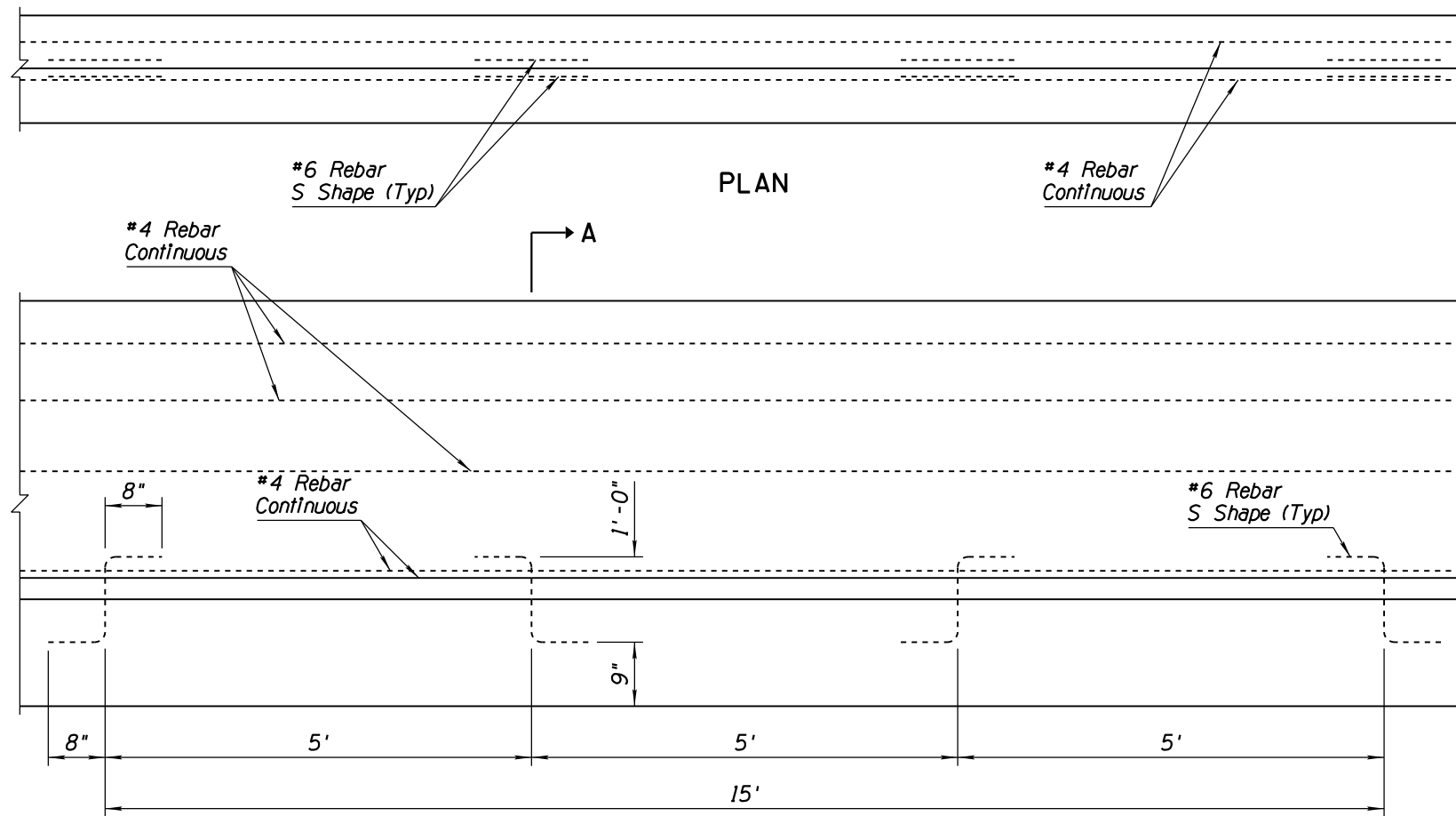


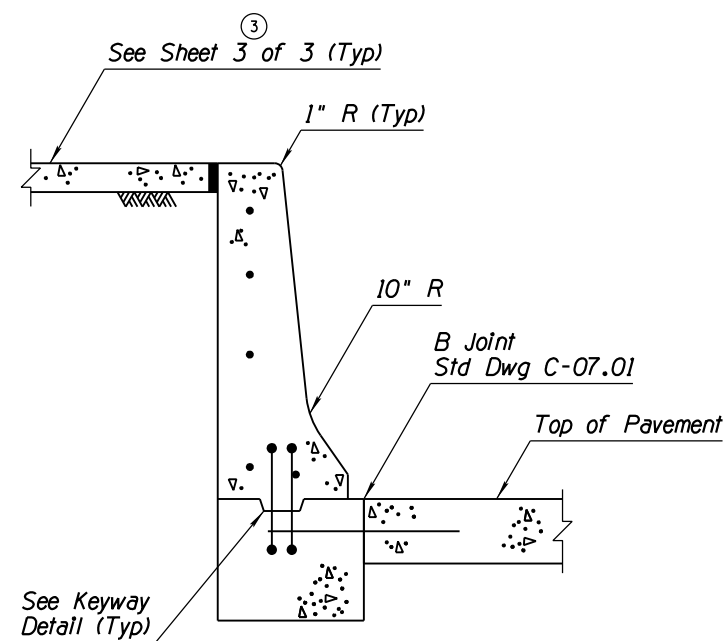
NO	DESCRIPTION OF REVISIONS	MADE BY	DATE
1	REVISED SECTION A-A: ADDED CONCRETE CAP & NOTES	RLF	11/06
2	REVISED GENERAL NOTE 4	RLF	11/06
3	ADDED (Typ)	RLF	11/06
4			

GENERAL NOTES

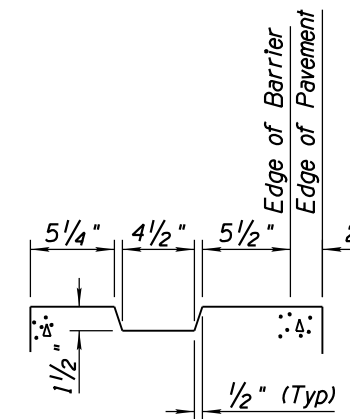
- Concrete shall be Class S, $f'_c=4000$ PSI.
- If the footing and barrier are cast monolithically, #6 S shape rebar are not required.
- Barrier width shall not exceed the barrier footing width nor overhang the adjacent pavement.
- ② Longitudinal rebar shall extend 12" past the construction joint at the completion of each incremental pour.



WITH AC
SECTION A-A



WITH PCCP
SECTION A-A
SEE SECTION A-A (WITH AC) FOR
TYPICAL REBAR PLACEMENT



KEYWAY DETAIL
SEE SECTION A-A (WITH AC) FOR
TYPICAL REBAR PLACEMENT

APPROVED FOR DESIGN 	STATE OF ARIZONA DEPARTMENT OF TRANSPORTATION ROADWAY STANDARD DRAWINGS	REV. 5/12
APPROVED FOR DISTRIBUTION 	CONCRETE HALF BARRIER 42" TYPE 'F' AT PIERS CAST-IN-PLACE	DRAWING NO. C-10.55 Sheet 1 of 3