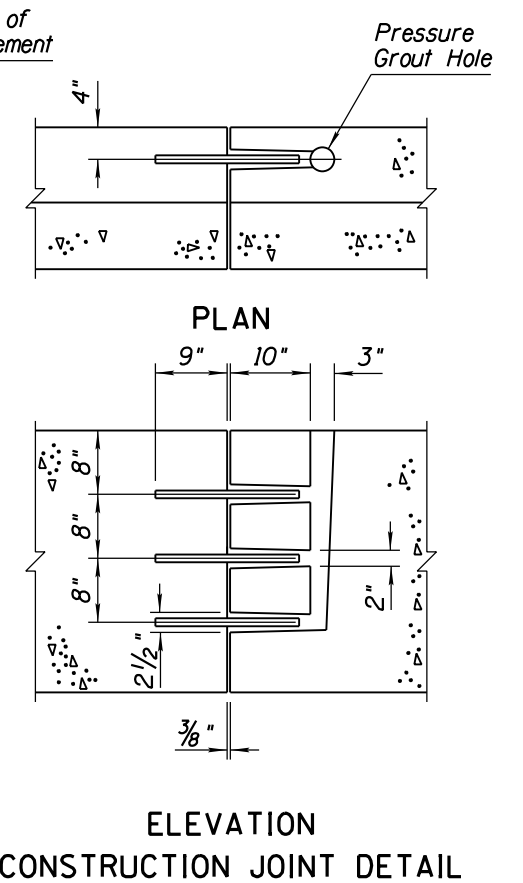
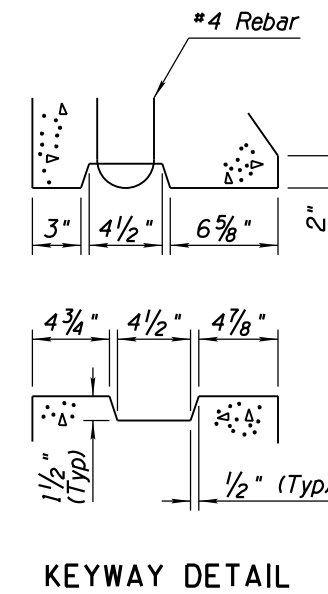
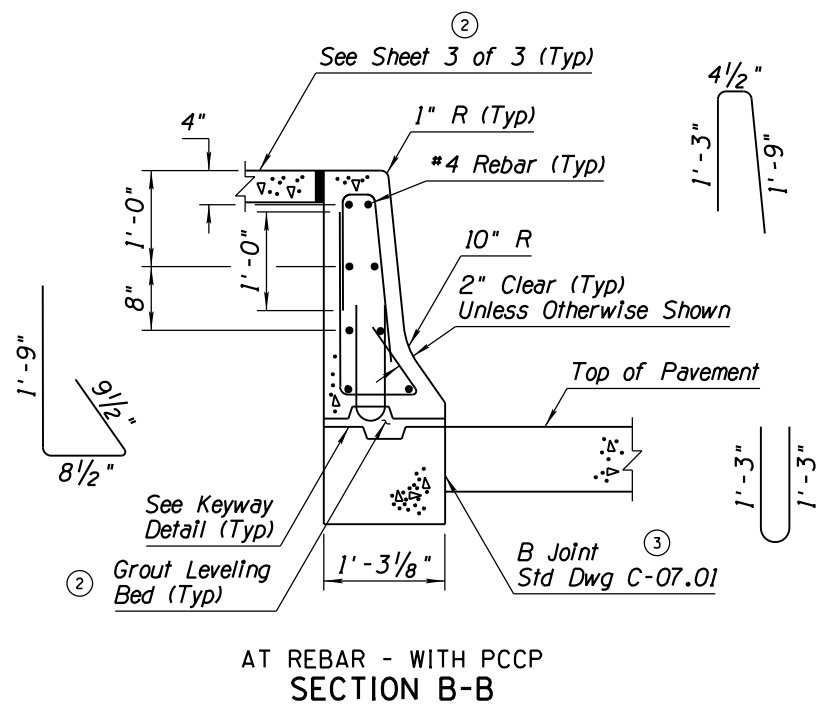
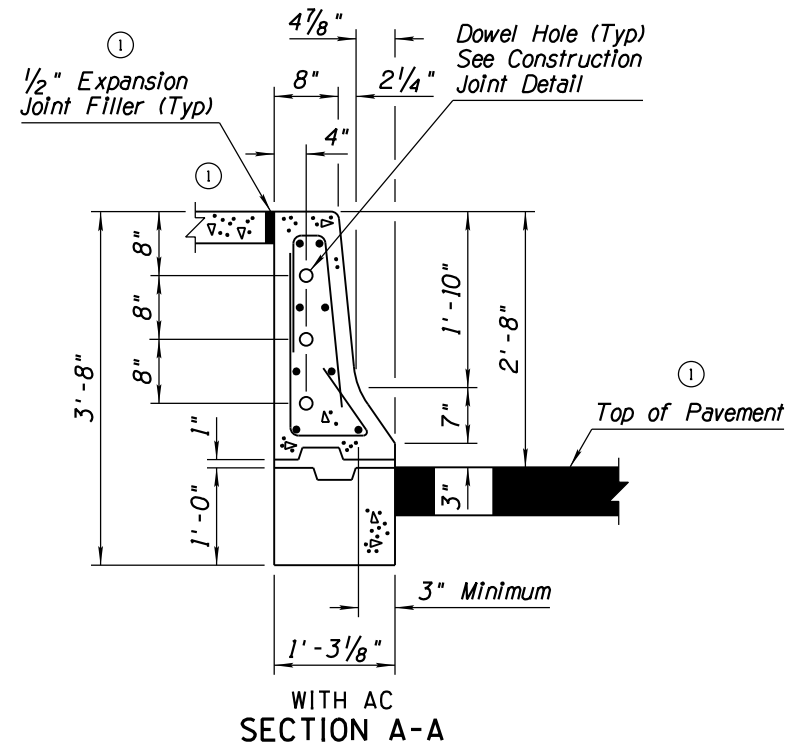
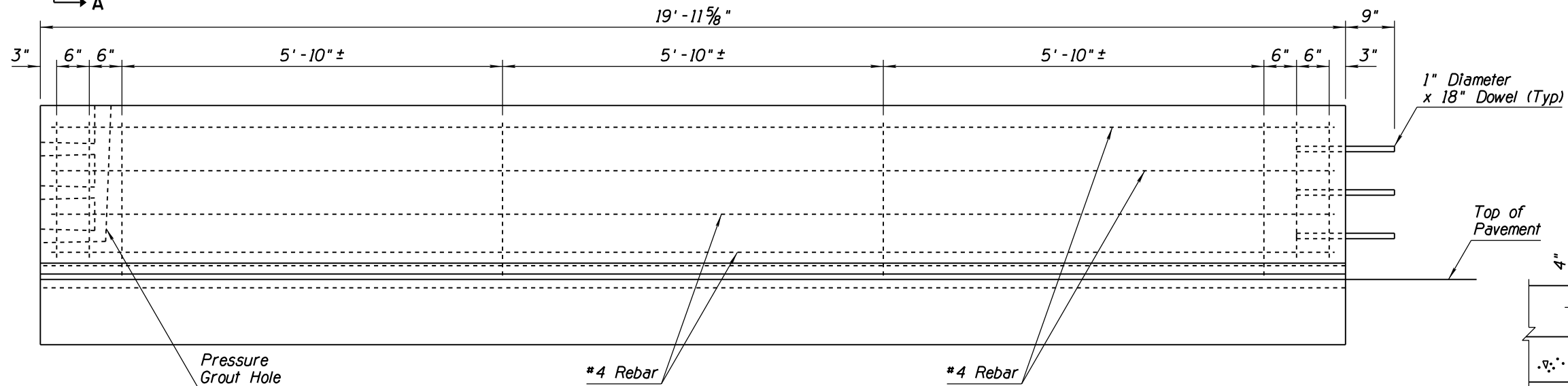
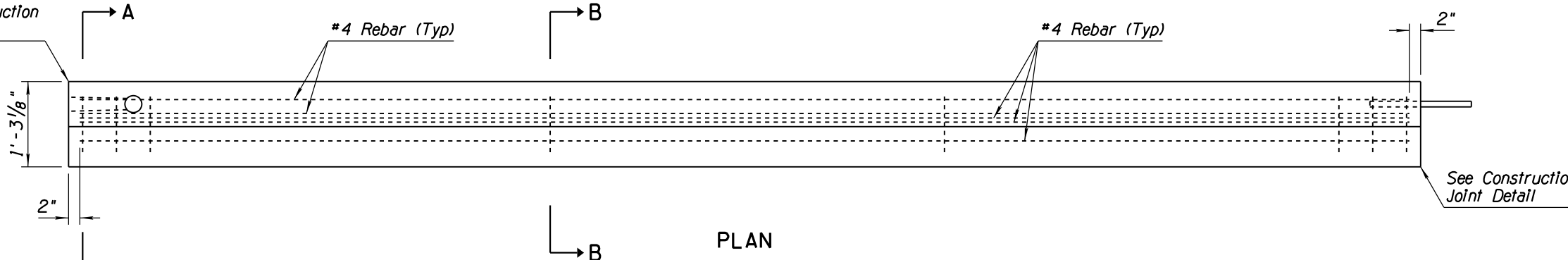


NO.	DESCRIPTION OF REVISIONS	MADE BY	DATE
1	REVISED SECTION A-A: ADDED CONCRETE CAP & NOTES	RLF	11/06
2	REVISED CALLOUT: ADDED 'TYP'	RLF	11/06
3	ADDED B JOINT NOTE	RLF	5/07
4			

GENERAL NOTES

- Concrete shall be Class S, $f'_c = 4000$ PSI.
- The Half Barrier shall be placed upon a bed of grout in order to provide a uniform bearing.
- Doweled joints shall be grouted under pressure until all of the openings and the joints are filled.
- All bend dimensions for rebar are out-to-out of rebars.

See Construction Joint Detail



APPROVED FOR DESIGN	STATE OF ARIZONA DEPARTMENT OF TRANSPORTATION ROADWAY STANDARD DRAWINGS	REV. 5/12
APPROVED FOR DISTRIBUTION	CONCRETE HALF BARRIER 32" TYPE 'F' AT PIERS PRECAST	DRAWING NO. C-10.54 Sheet 2 of 3