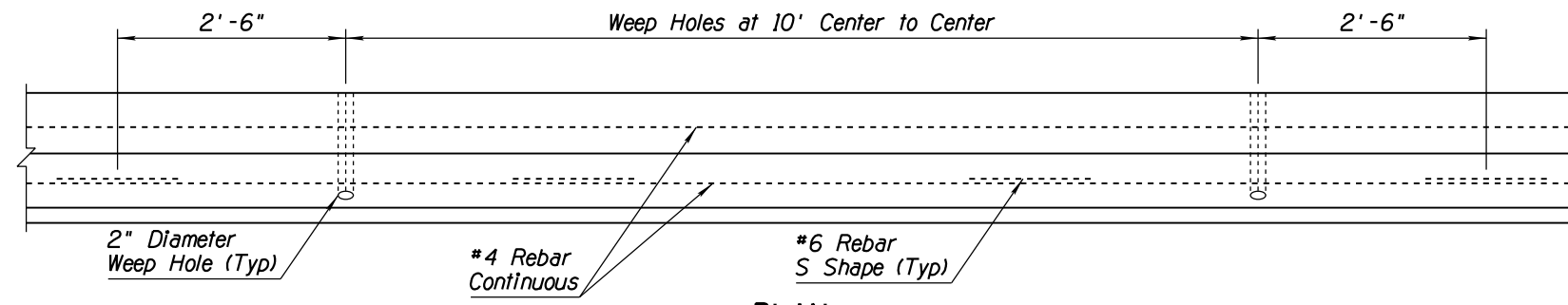


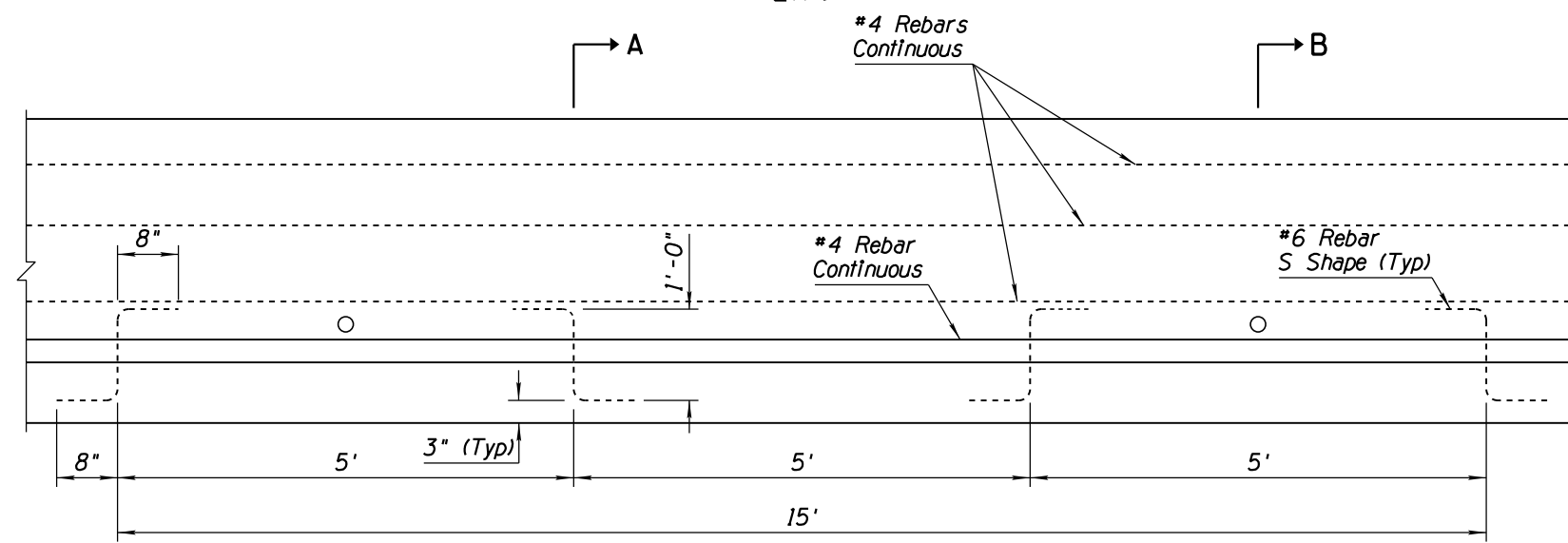
NO.	DESCRIPTION OF REVISIONS	MADE BY	DATE
1	RENAMED STD DWG FROM C-10.60 & REVISED TITLE	RLF	9/04
2	REVISED NOTE	RLF	5/12
3			
4			

GENERAL NOTES

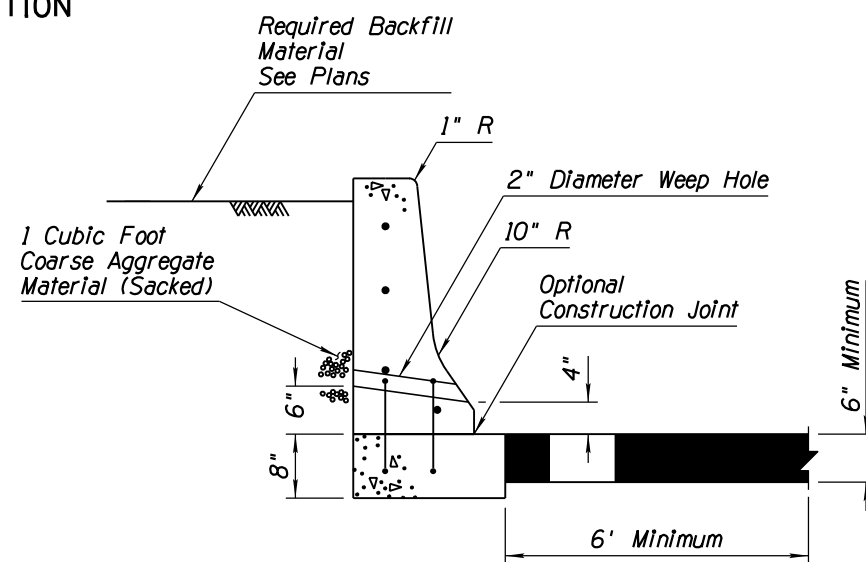
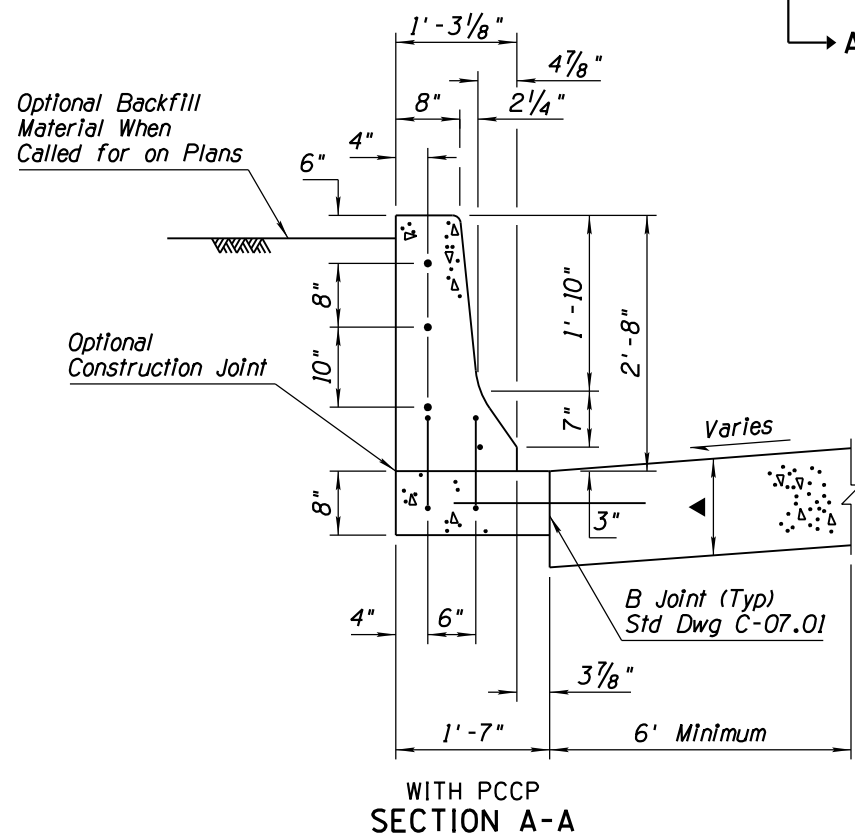
1. Half barrier shall be constructed by the slip or fixed form method.
 2. When obstacles prevent the use of slip form equipment, stationary forms shall be used.
 3. Concrete shall be Class S, $f'_c = 4000$ PSI.
 4. If the footing and barrier are cast monolithically, #6 S shape rebar will not be required.
 5. #4 rebar shall extend 12" past the construction joint at the completion of the day's pour.
 6. Weep holes shall be placed whenever barrier is backfilled unless otherwise indicated on the plans.
- ② ▲ Depth to match adjacent PCCP thickness.



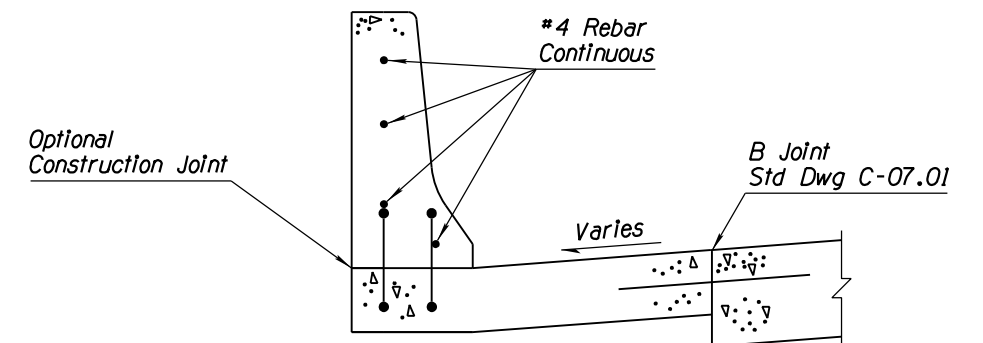
PLAN



ELEVATION



SEE SECTION A-A FOR TYPICAL REBAR PLACEMENT



WITH PCCP BARRIER WITH GUTTER (SEE STD DWG C-10.52)

APPROVED FOR DESIGN	STATE OF ARIZONA DEPARTMENT OF TRANSPORTATION ROADWAY STANDARD DRAWINGS	REV. 5/12
APPROVED FOR DISTRIBUTION	CONCRETE HALF BARRIER 32" TYPE 'F' CAST-IN-PLACE	DRAWING NO. C-10.50 Sheet 1 of 2