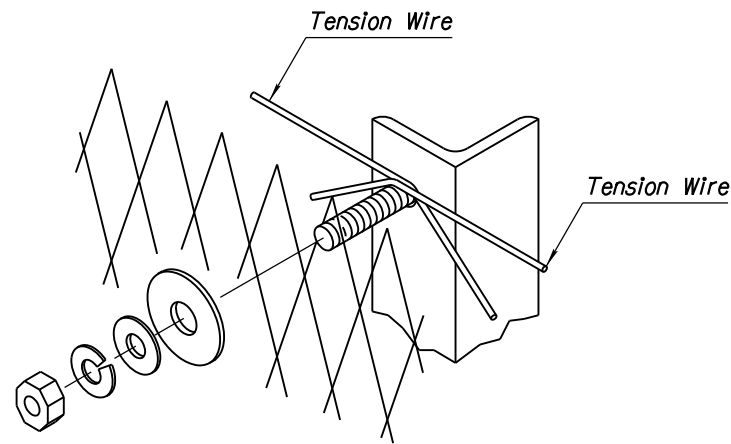
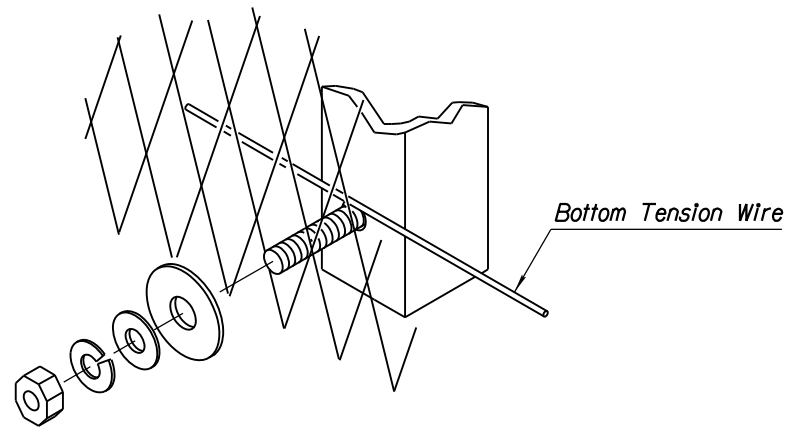


NO.	DESCRIPTION OF REVISIONS	MADE BY	DATE
1	RENAMED STANDARD DRAWING FROM C-10.97, SHEET 3 OF 3	RLF	9/04
2			
3			
4			

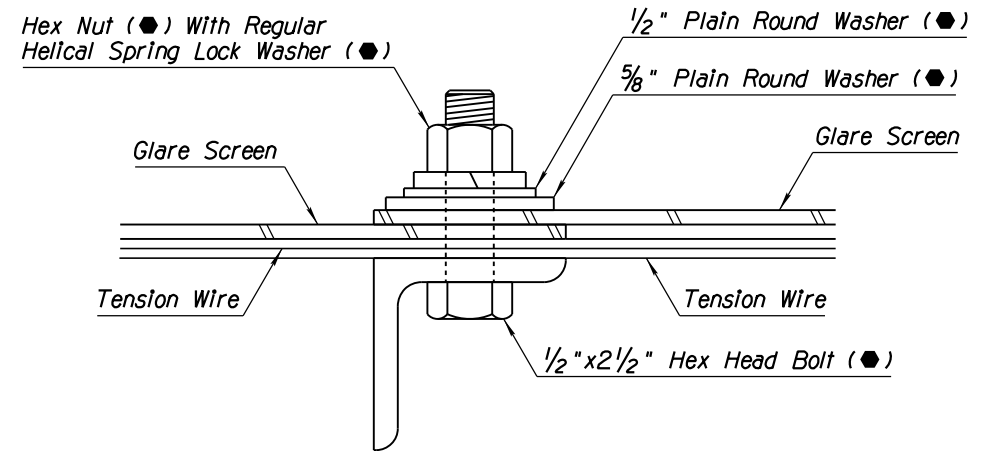
● - Indicates AASHTO, AGC & ARTBA Task Force 13 Report designation



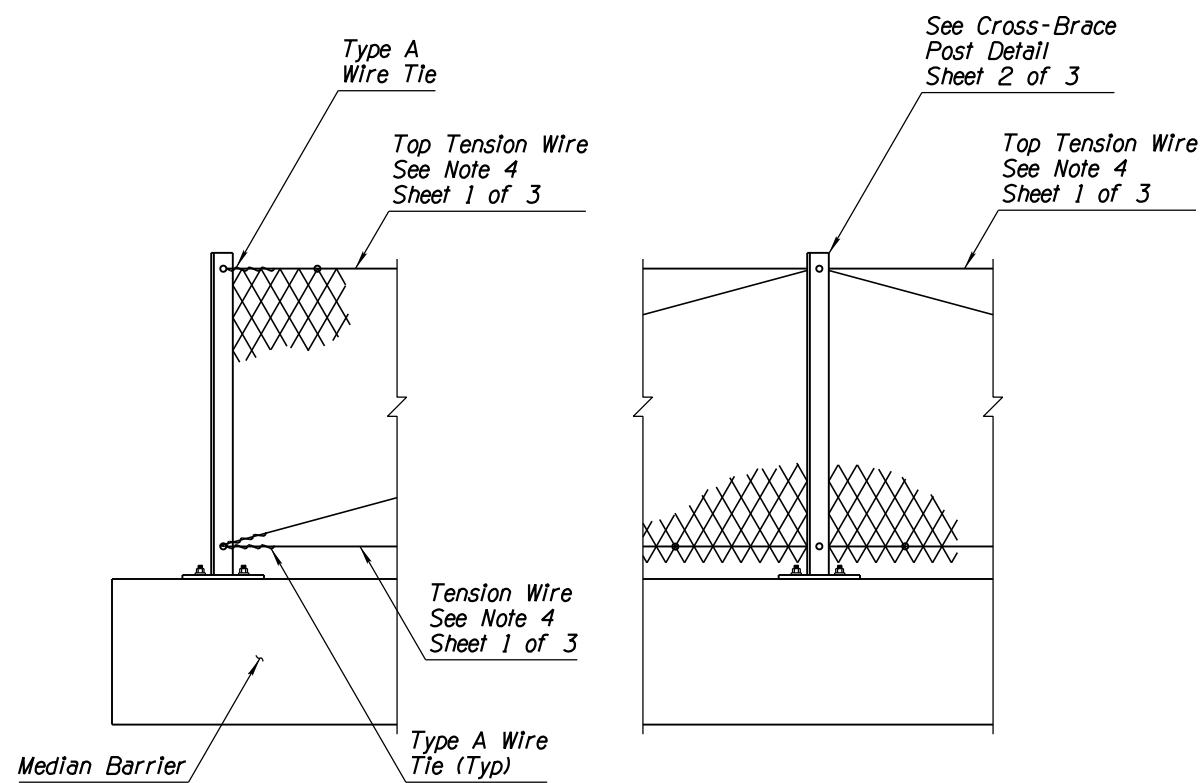
TOP BOLT DETAIL



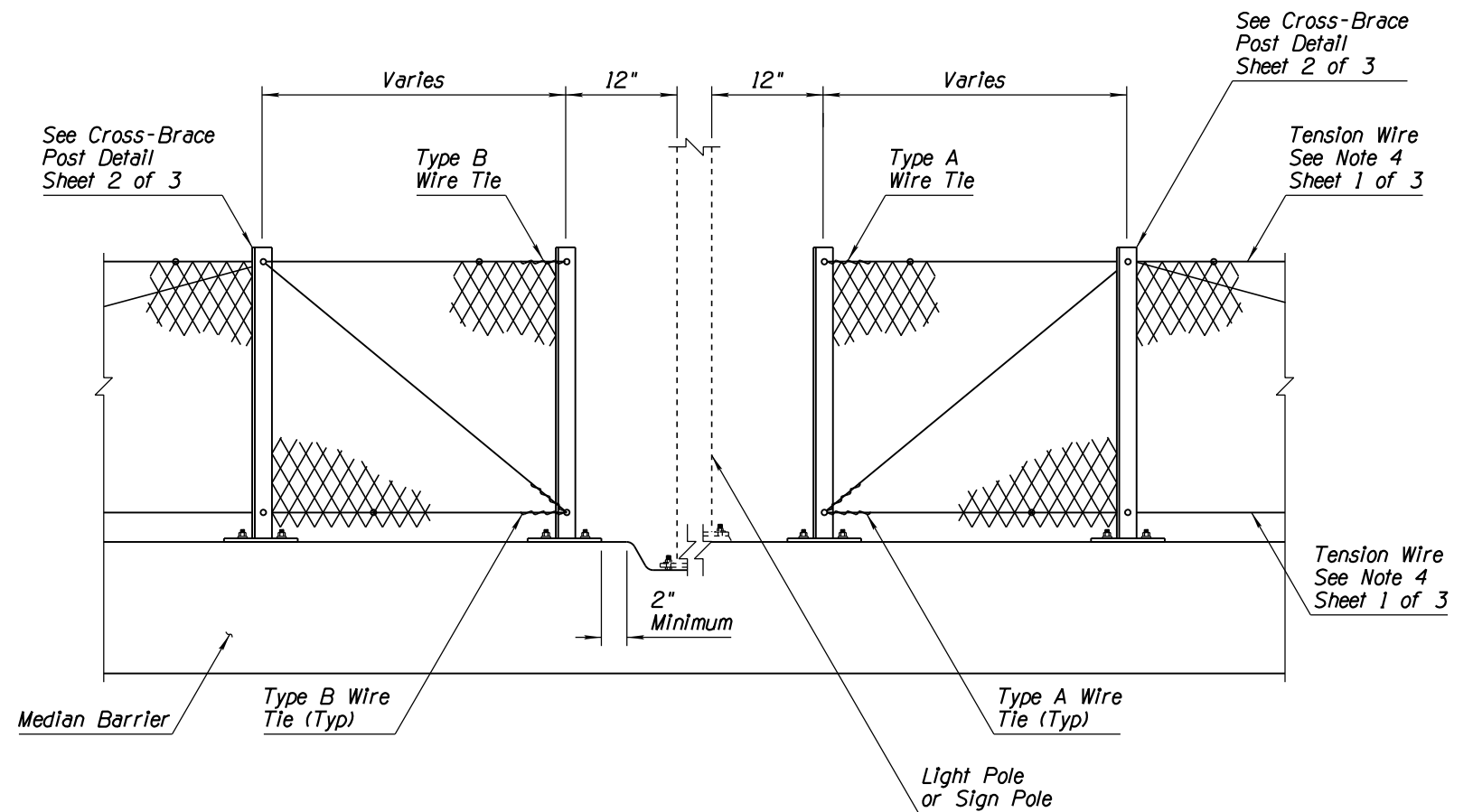
BOTTOM BOLT DETAIL



TOP BOLT SECTION



TERMINATION DETAIL



OBSTRUCTION DETAIL

APPROVED FOR DESIGN 	STATE OF ARIZONA DEPARTMENT OF TRANSPORTATION ROADWAY STANDARD DRAWINGS	REV. 5/12
APPROVED FOR DISTRIBUTION 	GLARE SCREEN CONCRETE MEDIAN BARRIER	DRAWING NO. (1) C-10.42 Sheet 3 of 3