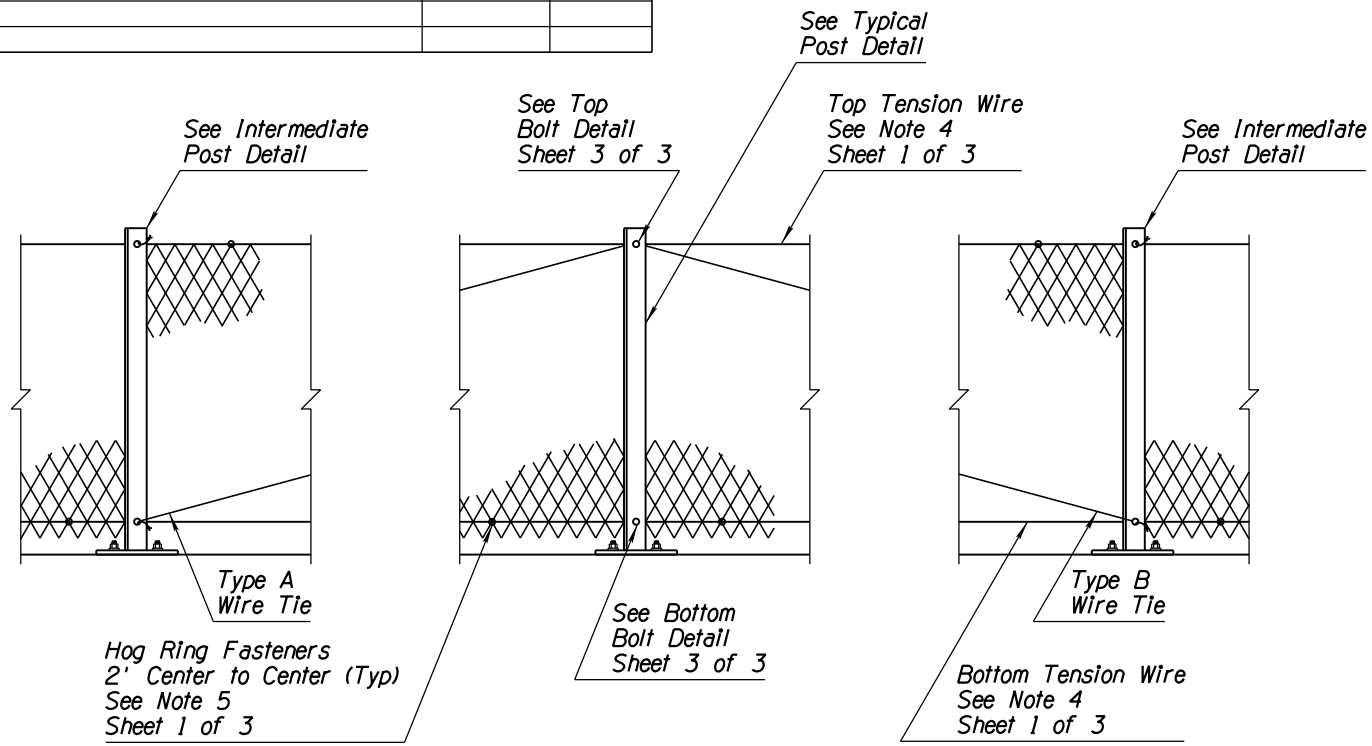
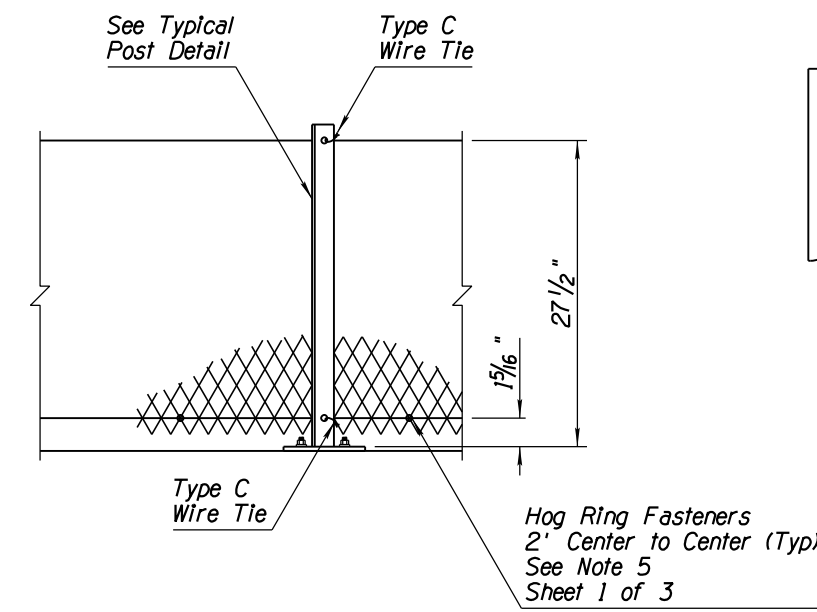


NO.	DESCRIPTION OF REVISIONS	MADE BY	DATE
1	RENAMED FROM STANDARD DRAWING C-10.97, SHEET 2 OF 3	RLF	9/04
2			
3			
4			

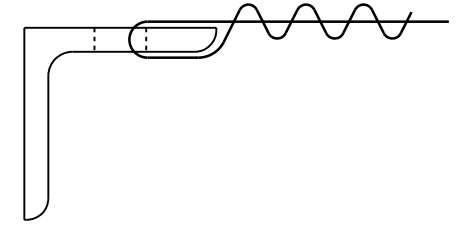
● - Indicates AASHTO, AGC & ARTBA Task Force 13 Report designation



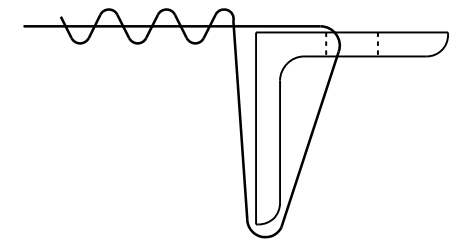
CROSS-BRACE POST DETAIL



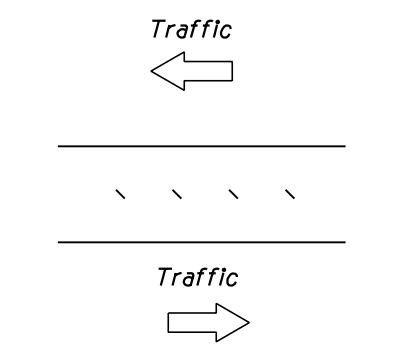
INTERMEDIATE POST DETAIL



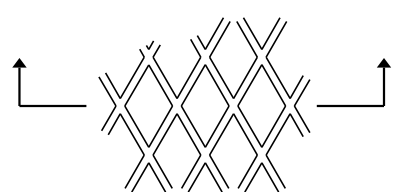
TYPE A WIRE TIE



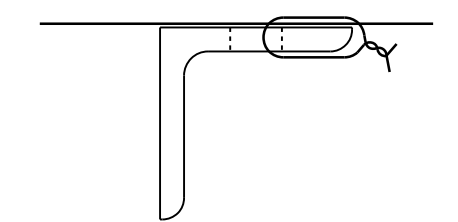
TYPE B WIRE TIE



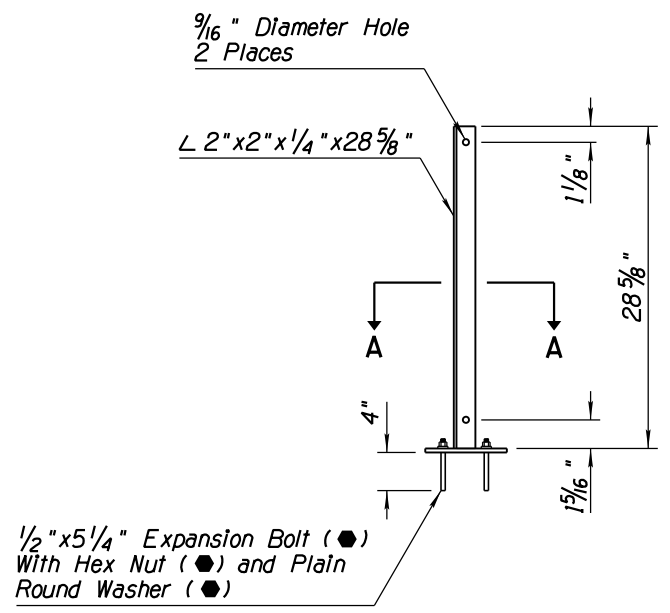
TOP VIEW SECTION



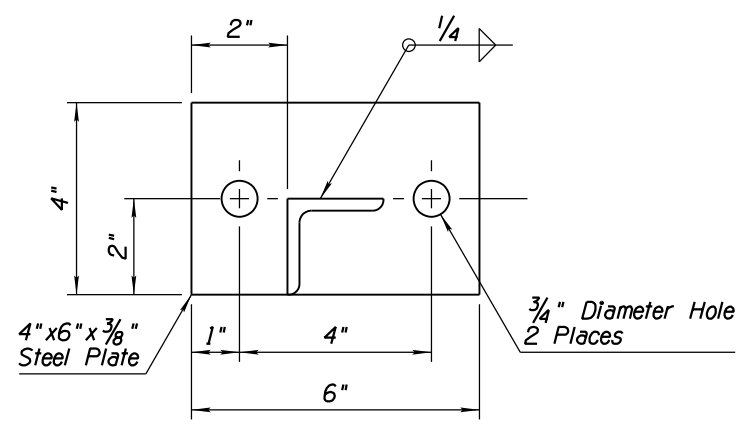
ELEVATION



TYPE C WIRE TIE



TYPICAL POST DETAIL



SECTION A-A

APPROVED FOR DESIGN 	STATE OF ARIZONA DEPARTMENT OF TRANSPORTATION ROADWAY STANDARD DRAWINGS	REV. 5/12
APPROVED FOR DISTRIBUTION 	GLARE SCREEN CONCRETE MEDIAN BARRIER	DRAWING NO. C-10.42 Sheet 2 of 3