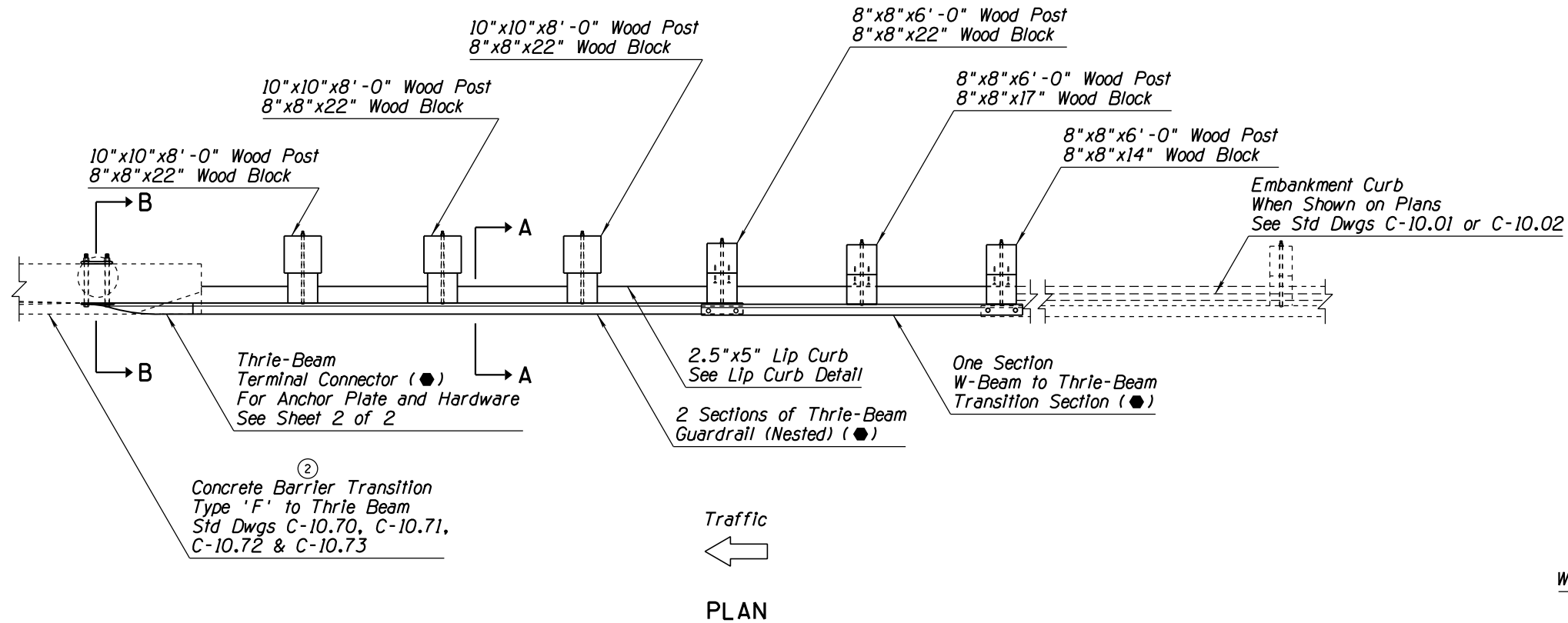


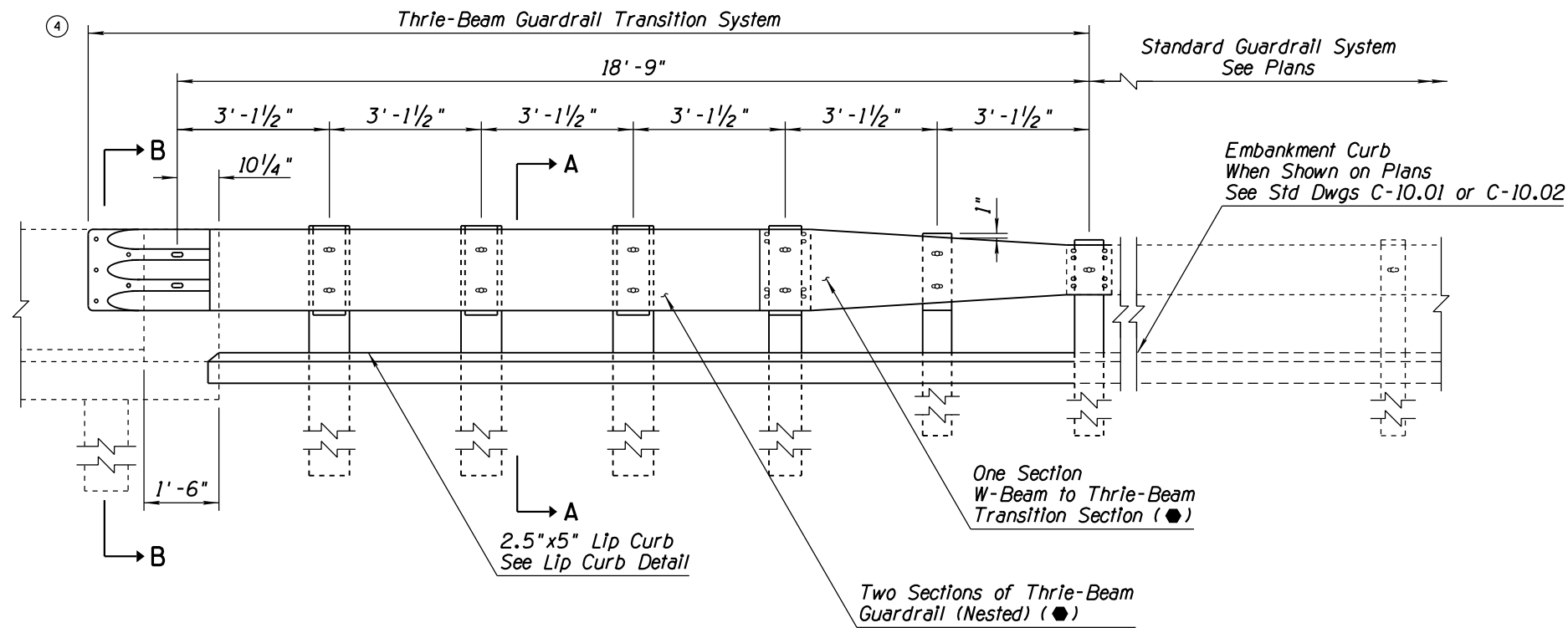
NO.	DESCRIPTION OF REVISIONS	MADE BY	DATE
1	REMOVED (A325) REQUIREMENT	RLF	12/04
2	REVISED BARRIER TRANSITION CALLOUT	RLF	7/05
3	REISSUED AS STANDARD DRAWING C-10.30, SHEET 1 OF 2	RLF	7/05
4	REVISED SYSTEM LIMIT TO INCLUDE END SHOE	RLF	5/07

GENERAL NOTES

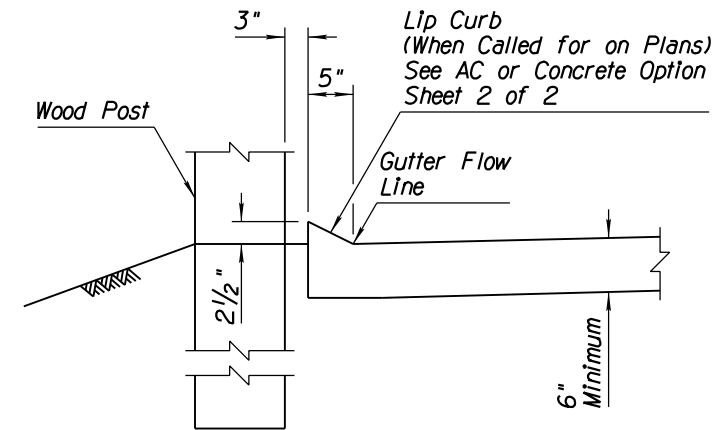
1. Curbing is not required when drainage flows transversely away from barrier.
 2. Treatment at back of lip curb modified for constructability purposes. Front slope and height of lip curb shall not be exceeded.
 3. Thrie-beam terminal connector to thrie-beam splice shall be lapped in the direction of adjacent traffic.
- - Indicates AASHTO, AGC & ARTBA Task Force 13 Report designation



PLAN



ELEVATION



LIP CURB DETAIL

APPROVED FOR DESIGN 	STATE OF ARIZONA DEPARTMENT OF TRANSPORTATION ROADWAY STANDARD DRAWINGS	REV. 5/12
APPROVED FOR DISTRIBUTION 	GUARDRAIL TRANSITION, THRIE BEAM TO CONCRETE HALF BARRIER 32" TYPE 'F'	DRAWING NO. ③ C-10.30 Sheet 1 of 2