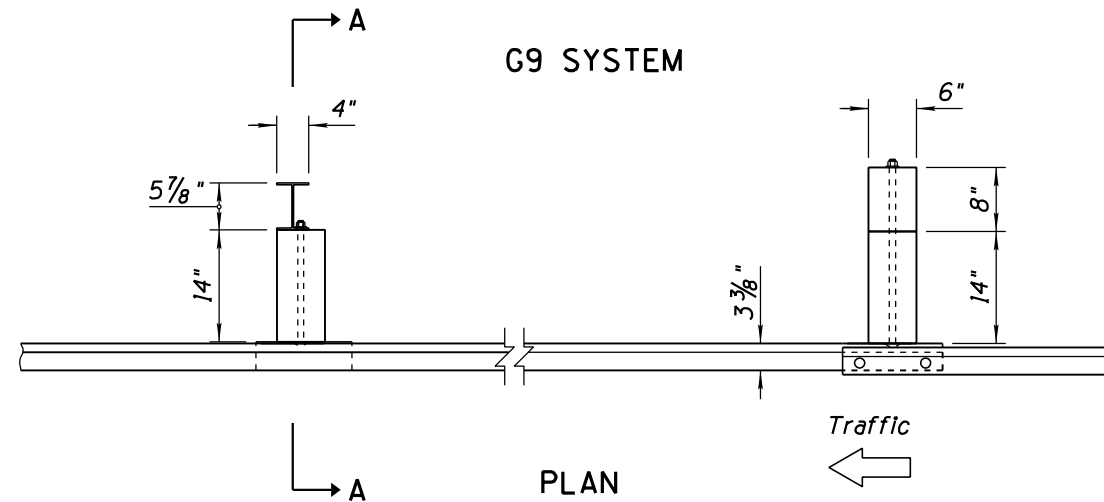


NO.	DESCRIPTION OF REVISIONS	MADE BY	DATE
1	RENAMED STD DWG FROM C-10.24 & REVISED TITLE	RLF	9/04
2	REVISED DESIGNATION	RLF	9/04
3	REVISED PLAN, ELEVATION & SECTION VIEWS	RLF	9/04
4	CORRECTED THRIE-BEAM DIMENSION	RLF	5/12

GENERAL NOTES

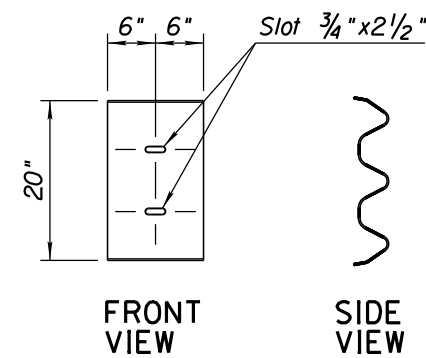
② ● - Indicates AASHTO, AGC & ARTBA Task Force 13 Report designation



G9 SYSTEM

PLAN

③

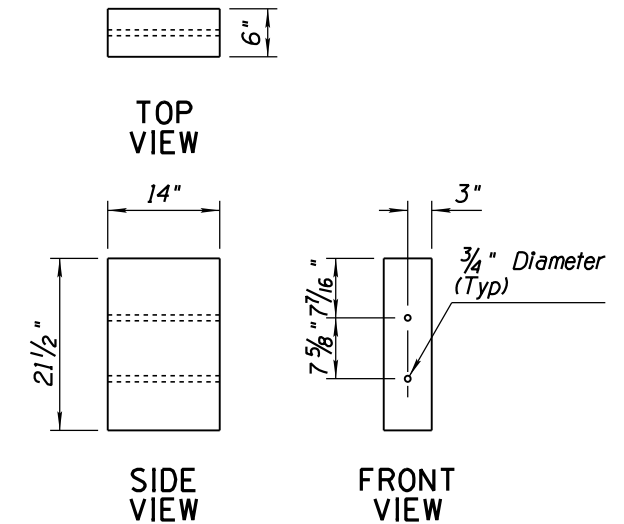


FRONT VIEW

SIDE VIEW

THRIE BEAM BACK-UP PLATE DETAIL

③



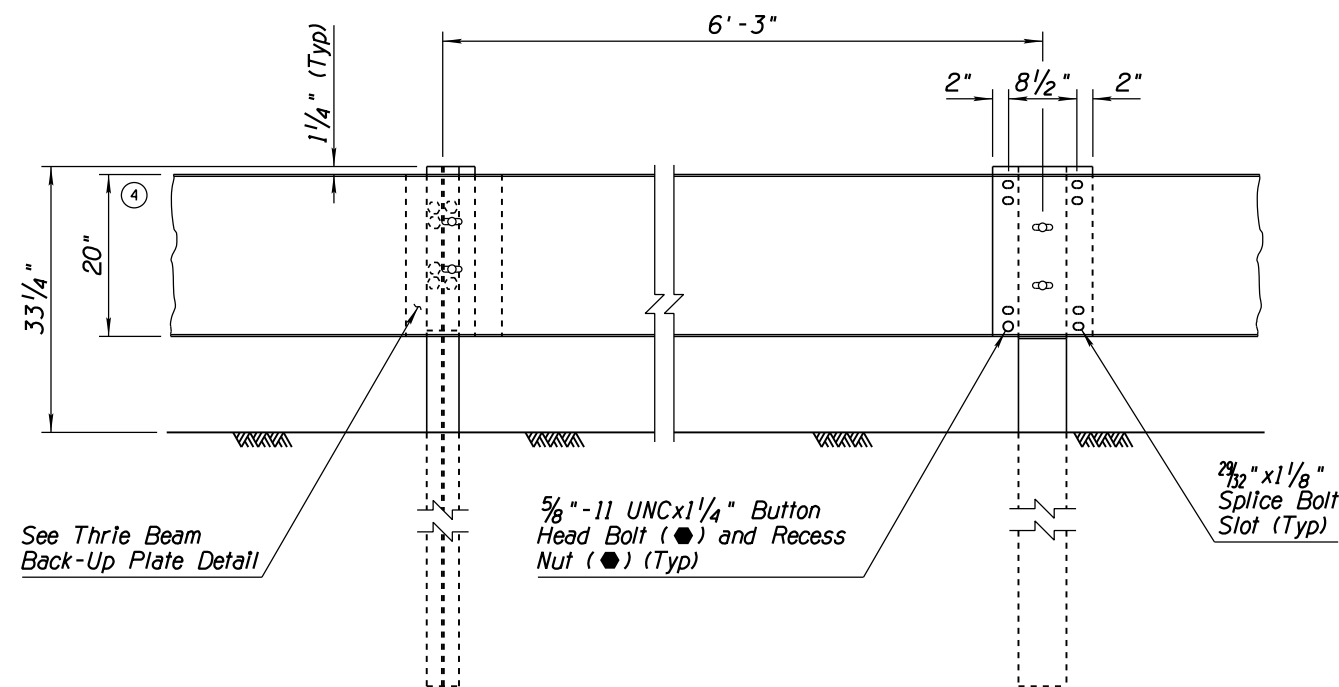
TOP VIEW

SIDE VIEW

FRONT VIEW

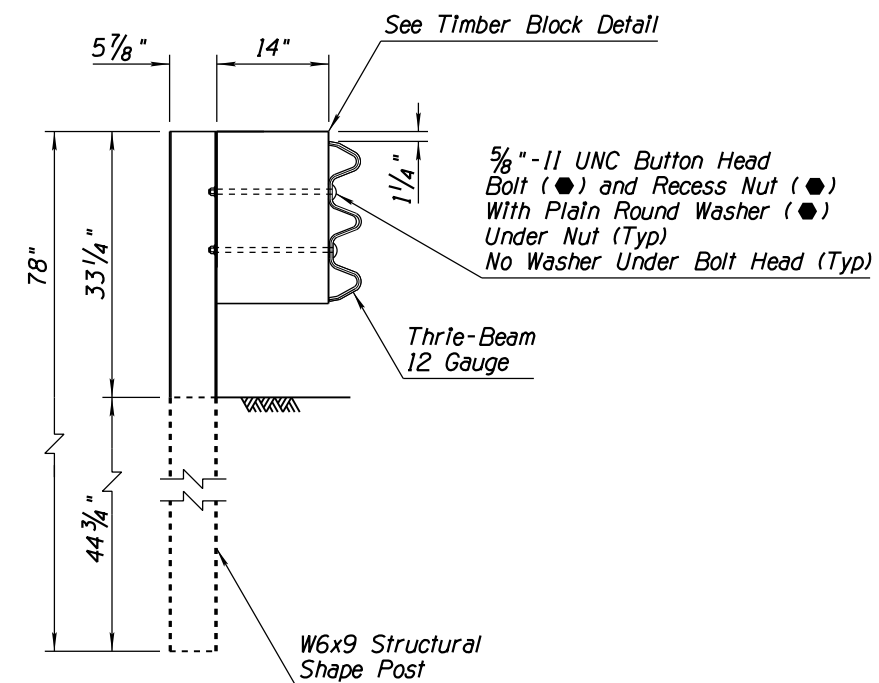
TIMBER BLOCK DETAIL

③



ELEVATION G9 SYSTEM

③



(G9) SECTION A-A

③

APPROVED FOR DESIGN 	STATE OF ARIZONA DEPARTMENT OF TRANSPORTATION ROADWAY STANDARD DRAWINGS	REV. 5/12
APPROVED FOR DISTRIBUTION 	THRIE-BEAM GUARDRAIL G9 BLOCKED-OUT STEEL POST	DRAWING NO. ① C-10.20