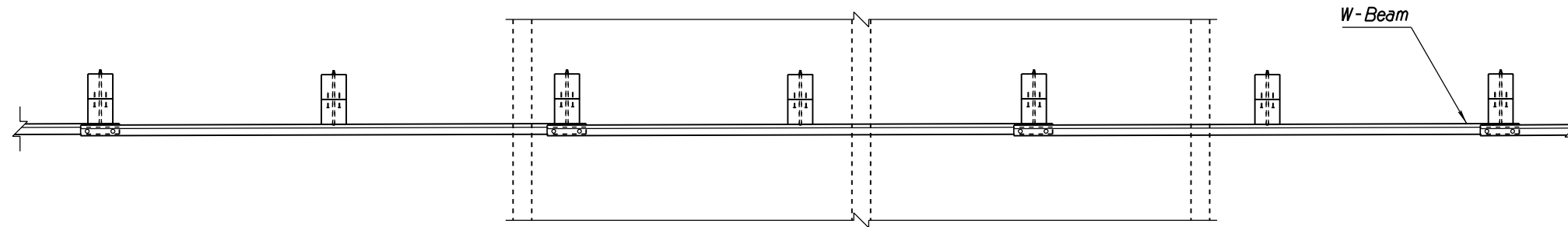


NO.	DESCRIPTION OF REVISIONS	MADE BY	DATE
1	RENAMED FROM C-10.29, 1 OF 2 & REVISED TITLE	RLF	9/04
2	ADDED GENERAL NOTE 2	RLF	9/04
3	REVISED GENERAL NOTE 1	RLF	9/04
4			

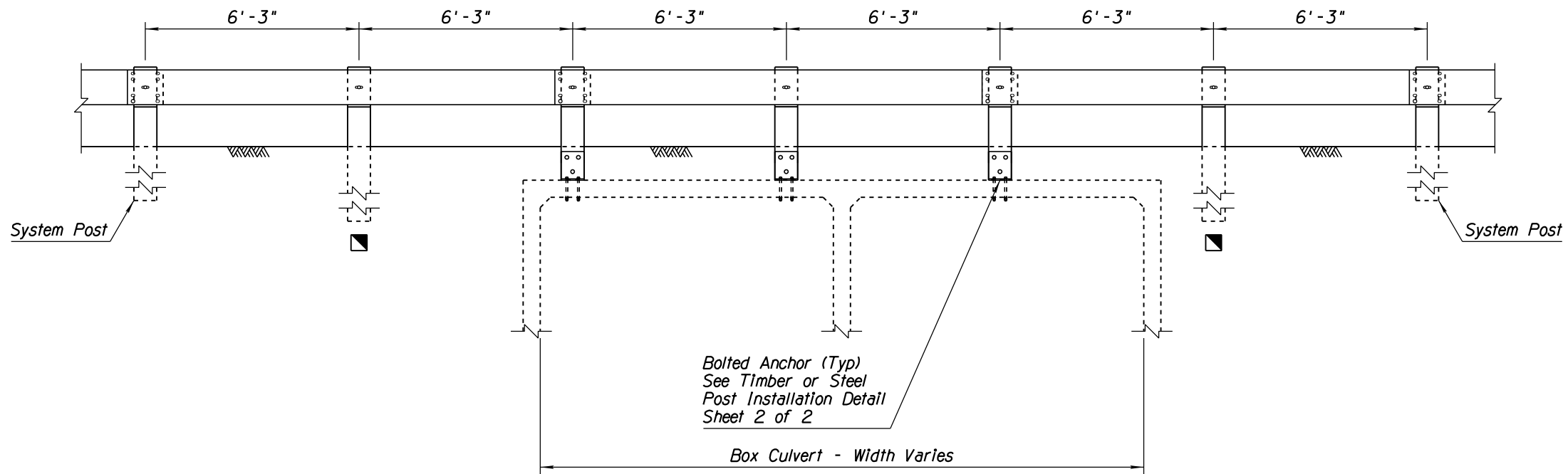
GENERAL NOTES

- ③ 1. See Std Dwgs C-10.03 and C-10.04 for additional information and dimensions.
- ② 2. Guardrail shall be lapped in the direction of adjacent traffic.
- 72" Timber Post



PLAN

Traffic
←



ELEVATION

BOLTED ANCHOR
BOX CULVERT INSTALLATION

APPROVED FOR DESIGN 	STATE OF ARIZONA DEPARTMENT OF TRANSPORTATION ROADWAY STANDARD DRAWINGS	REV. 5/07
APPROVED FOR DISTRIBUTION 	W-BEAM GUARDRAIL BOLTED ANCHOR ①	DRAWING NO. ① C-10.07 Sheet 1 of 2