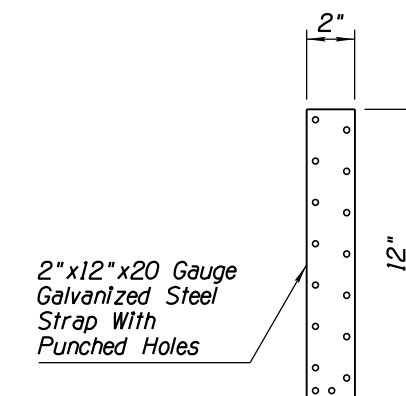
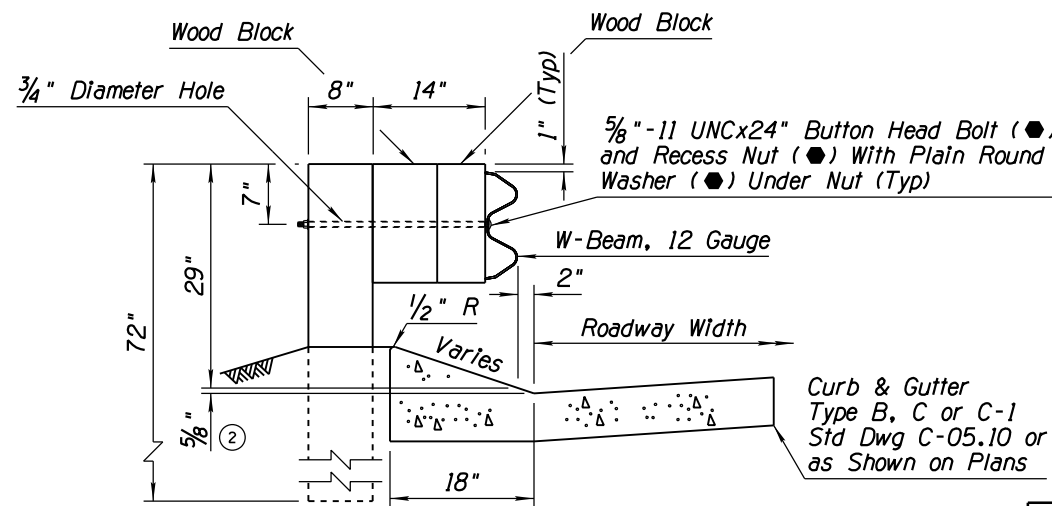
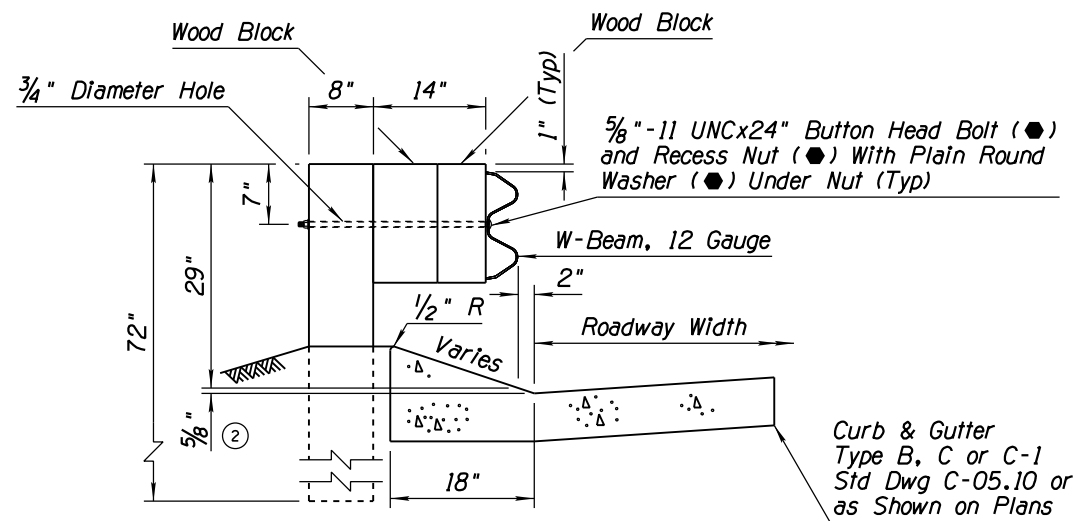
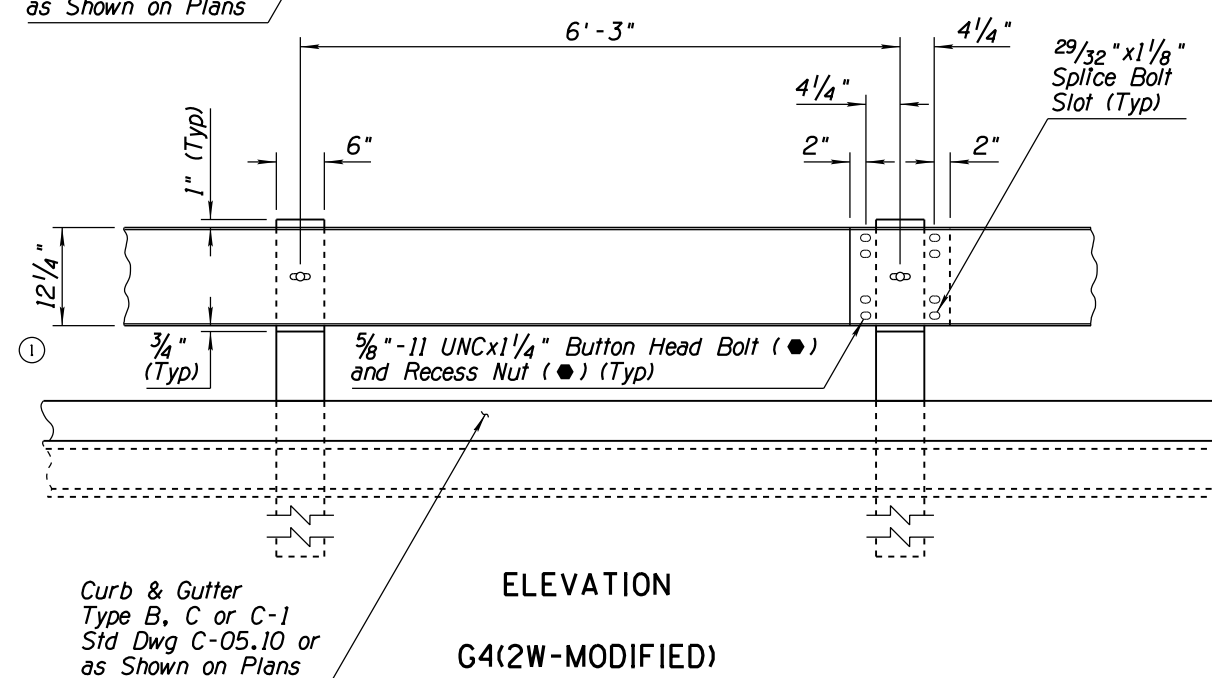
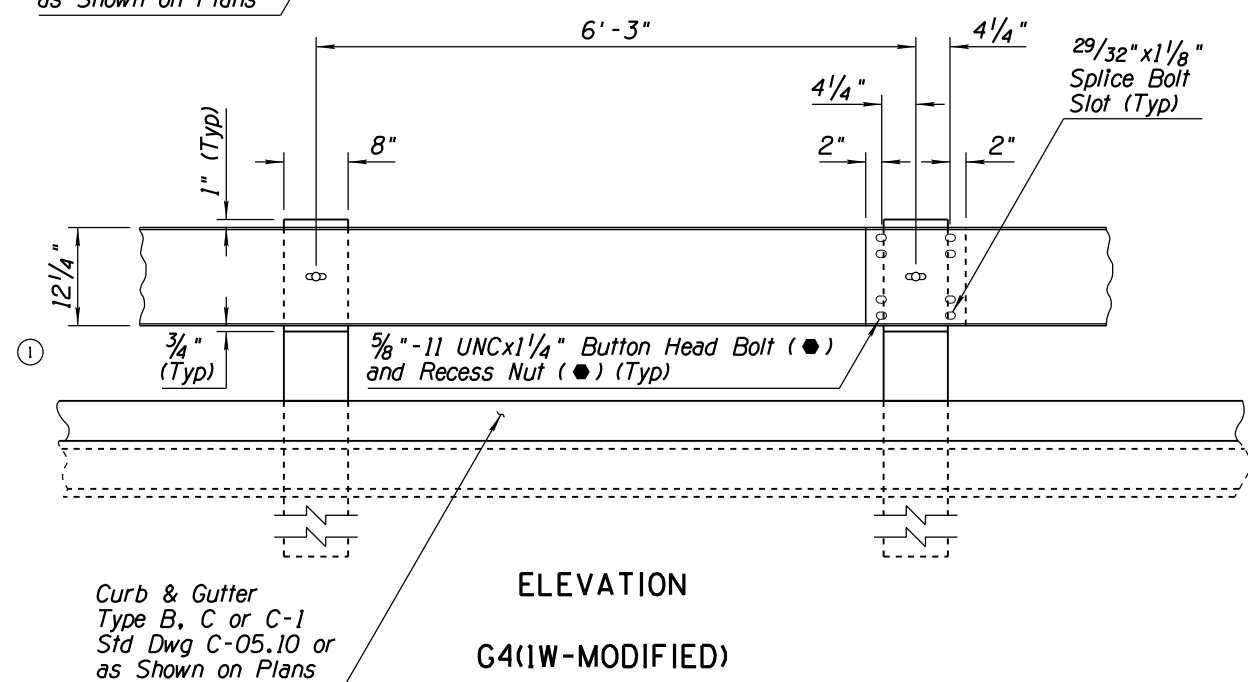
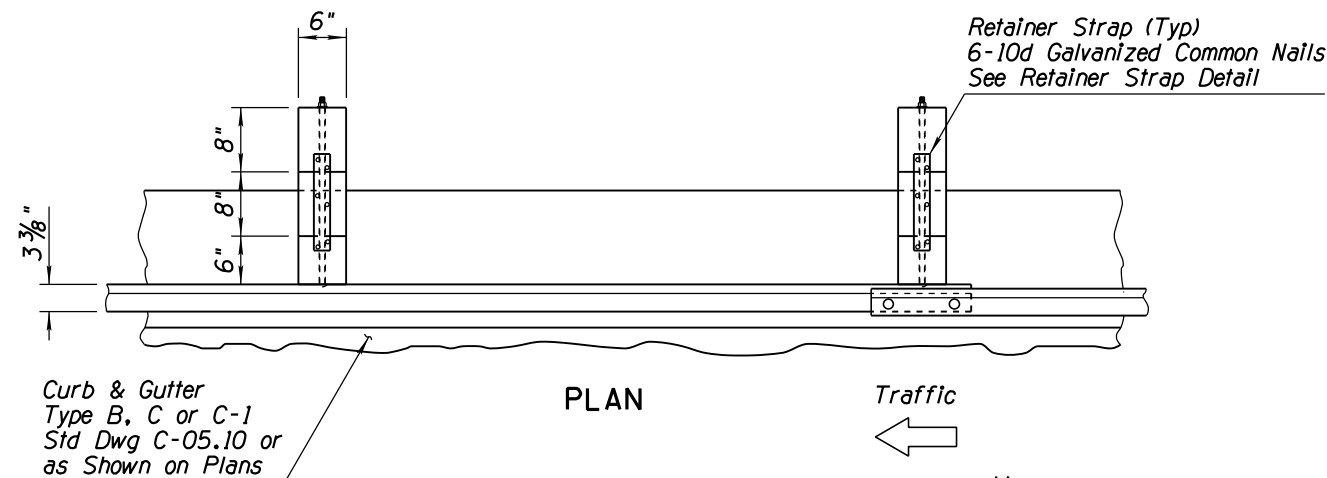
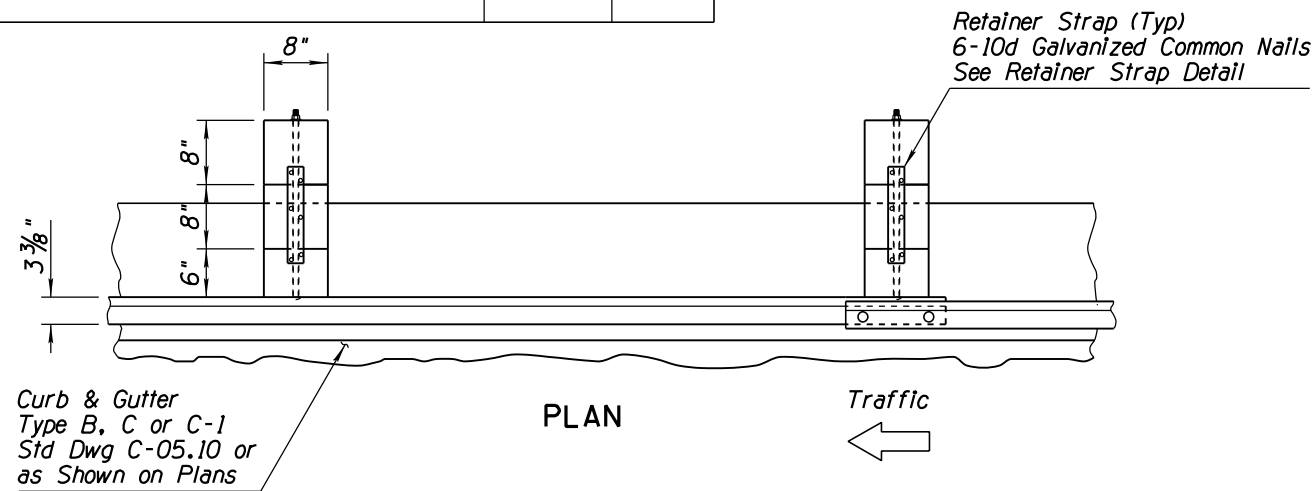


NO.	DESCRIPTION OF REVISIONS	MADE BY	DATE
1	REMOVED DIMENSION	RLF	5/12
2	REVISED DIMENSION	RLF	5/12
3			
4			

GENERAL NOTES

● - Indicates AASHTO, AGC & ARTBA Task Force 13 Report designation



RETAINER STRAP DETAIL

APPROVED FOR DESIGN	STATE OF ARIZONA DEPARTMENT OF TRANSPORTATION ROADWAY STANDARD DRAWINGS	REV. 5/12
APPROVED FOR DISTRIBUTION	W-BEAM GUARDRAIL G4(MODIFIED) WITH FREEWAY CURB AND GUTTER	DRAWING NO. C-10.05 Sheet 2 of 2