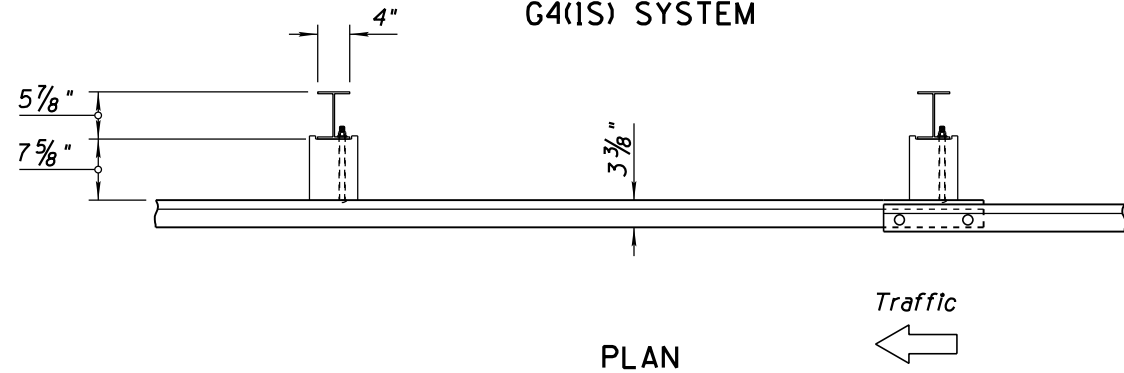


NO	DESCRIPTION OF REVISIONS	MADE BY	DATE
1	REVISED DESIGNATION	RLF	9/04
2	REVISED GENERAL NOTES 1 & 2	RLF	9/04
3	RENAMED STD DRAWING FROM C-10.21 & REVISED TITLE	RLF	9/04
4	REMOVED 29 INCH DIMENSION	RLF	7/05

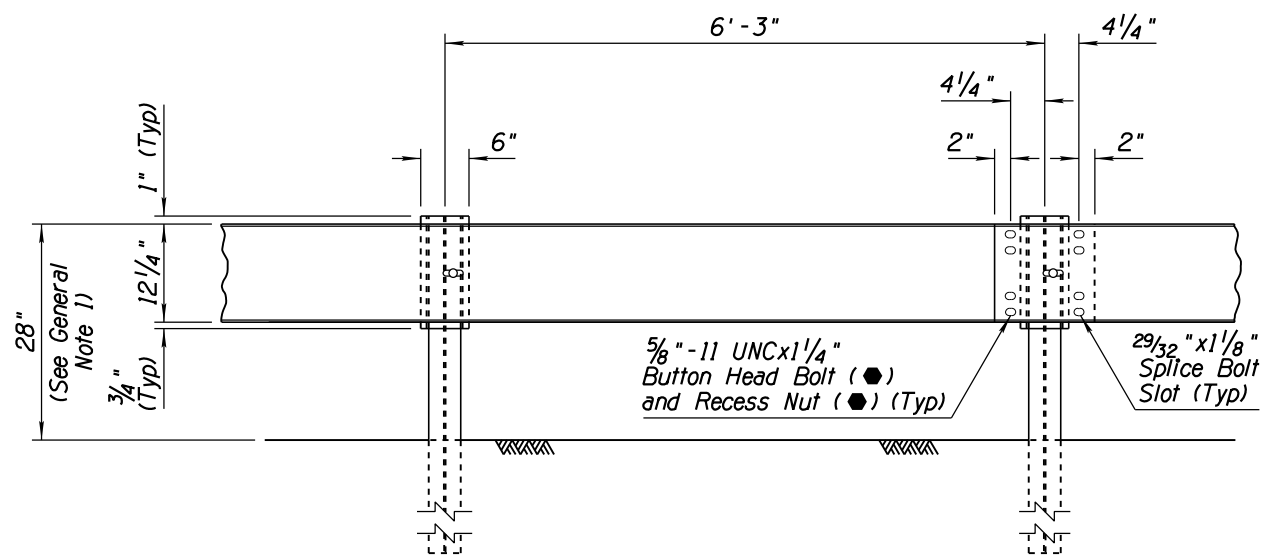
GENERAL NOTES

- ① 1. The control height for guardrail system is 28" to the top of rail, measured at the face of rail from the normal finished shoulder elevation.
- ② 2. Guardrail shall be lapped in the direction of adjacent traffic.
- ③ ● - Indicates AASHTO, AGC & ARTBA Task Force 13 Report designation

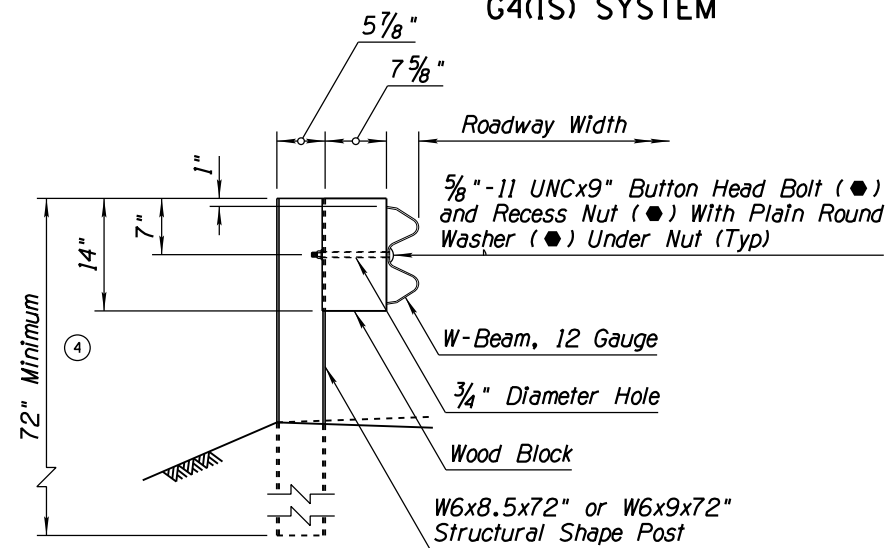
G4(IS) SYSTEM



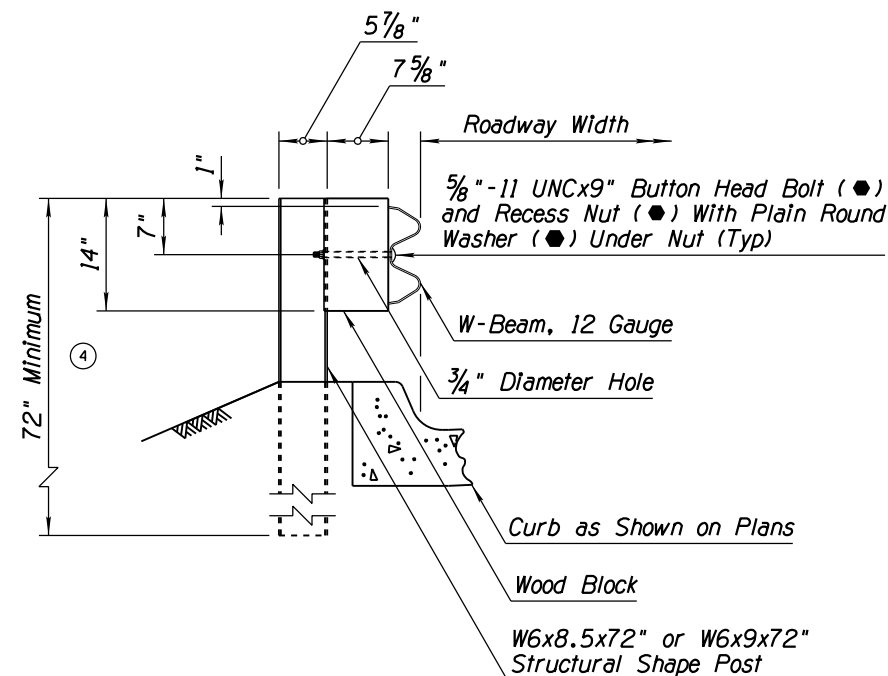
PLAN



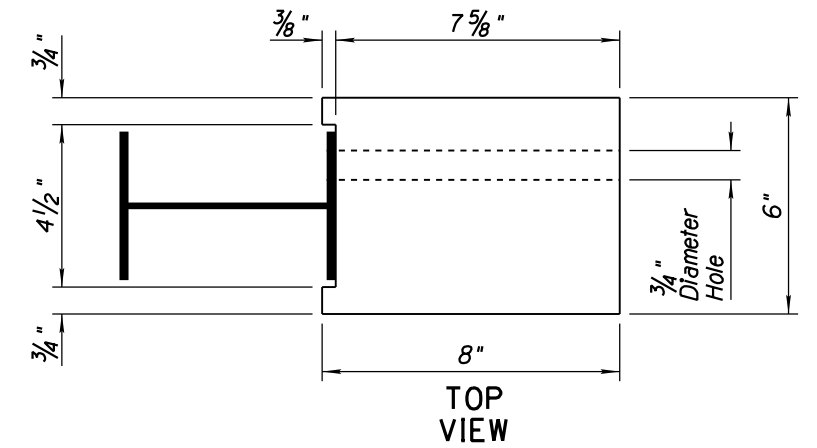
ELEVATION G4(IS) SYSTEM



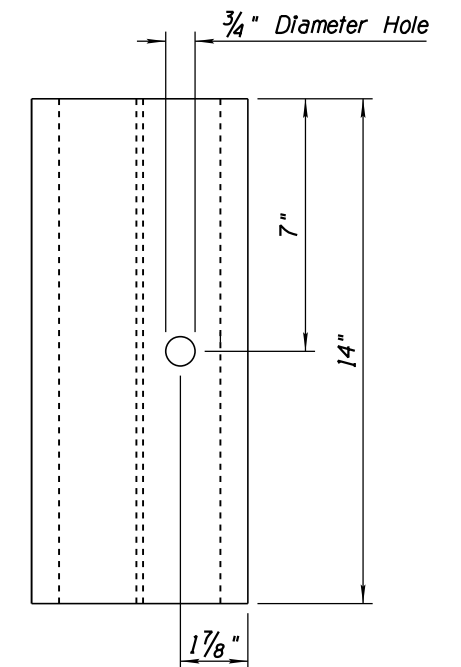
**SECTION G4(IS)
SHOWN WITHOUT CURB**



**SECTION G4(IS)
SHOWN WITH CURB**



TOP VIEW



**FRONT VIEW
WOOD BLOCK DETAIL**

APPROVED FOR DESIGN 	STATE OF ARIZONA DEPARTMENT OF TRANSPORTATION ROADWAY STANDARD DRAWINGS	REV. 5/12
APPROVED FOR DISTRIBUTION 	W-BEAM GUARDRAIL G4(IS) BLOCKED-OUT STEEL POST	DRAWING NO. C-10.04