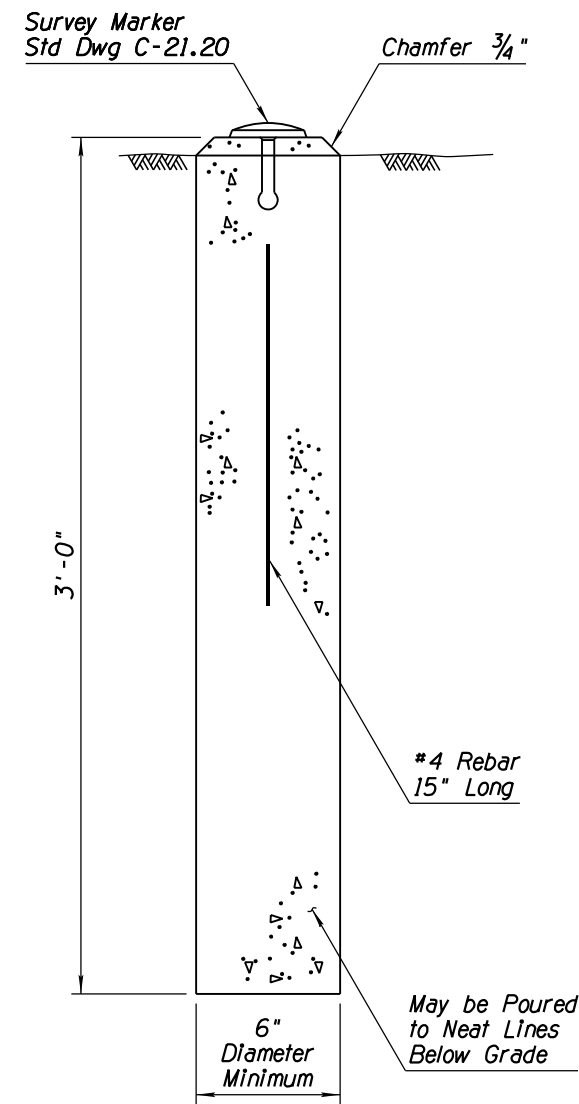
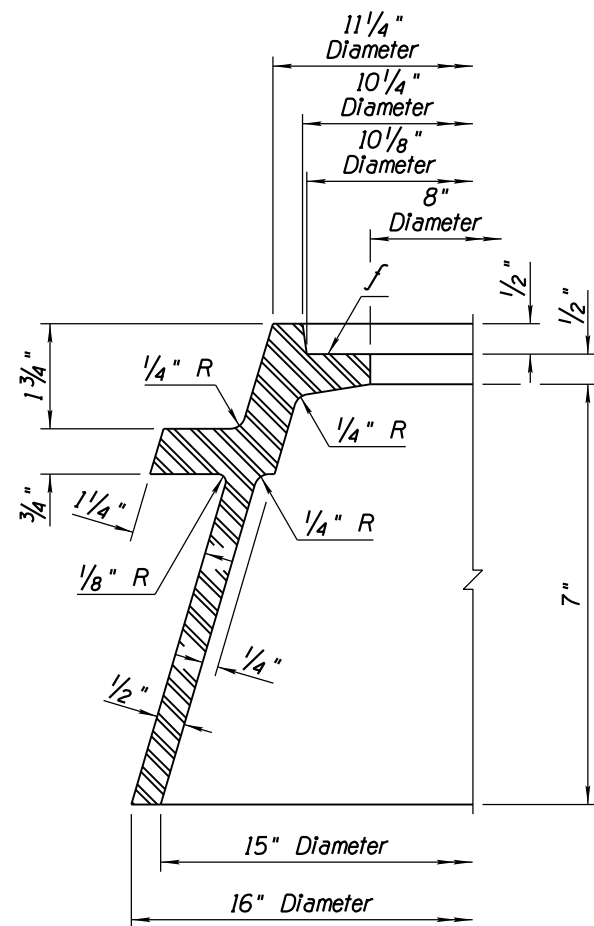


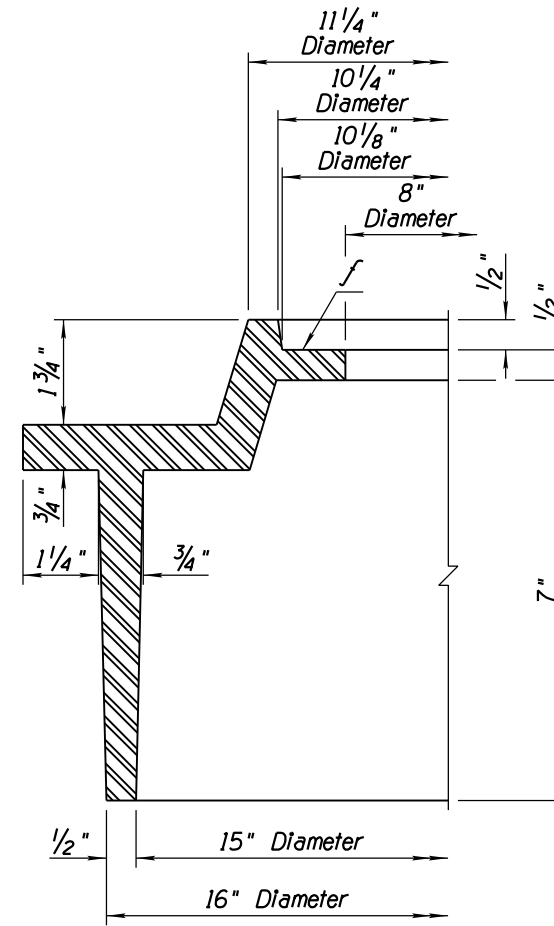
NO	DESCRIPTION OF REVISIONS	MADE BY	DATE
1	REMOVED RIGHT-OF-WAY MARKER DETAILS	RLF	11/07
2	ADDED VIEW TITLE	RLF	11/07
3	ADDED (Typ) AND PATTERNING	RLF	11/07
4			



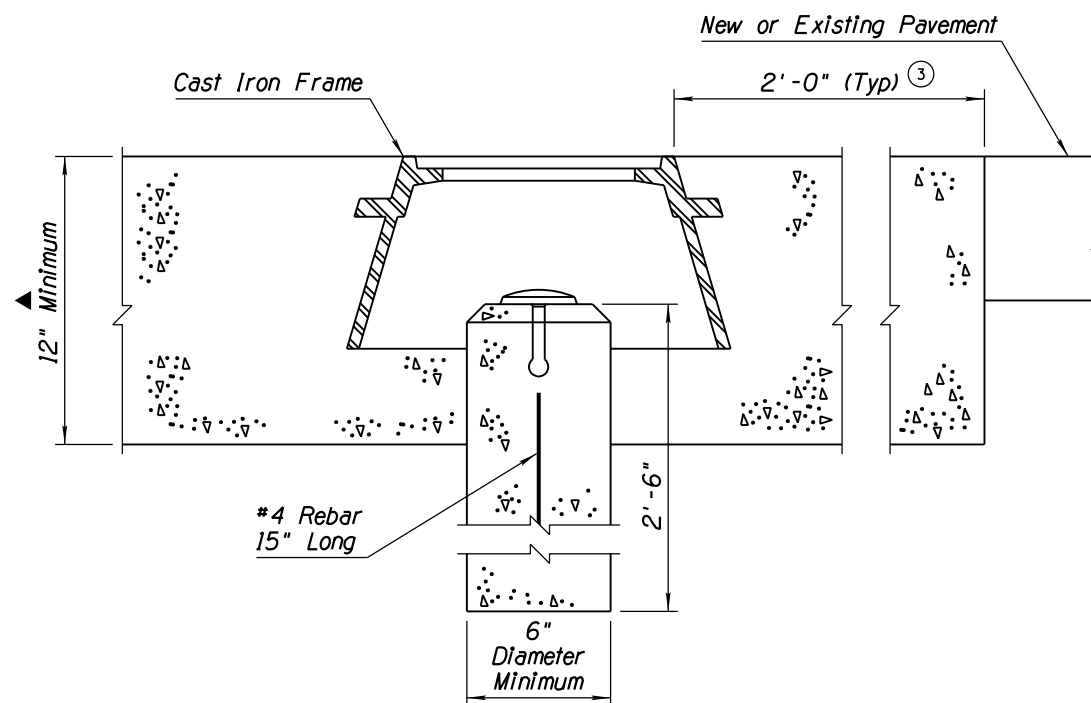
SURVEY MONUMENT



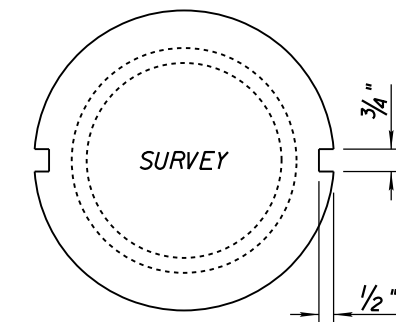
FRAME TYPE A



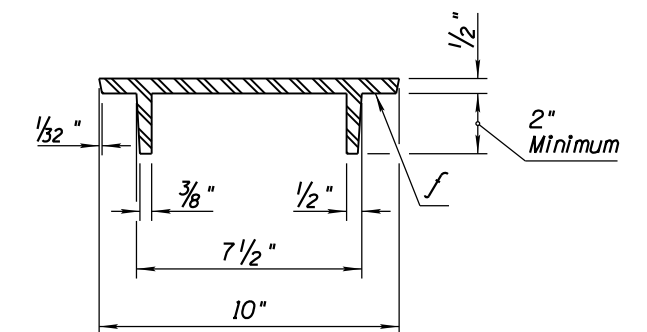
FRAME TYPE B



SURVEY MONUMENT
FRAME AND COVER



② COVER PLAN



COVER SECTION

GENERAL NOTES

1. A survey monument and frame & cover, complete-in-place, shall be considered a unit.
 2. All markers shall be placed as shown on the plans or as directed by the Engineer.
 3. Frames may be either Type A or Type B.
 4. Frames shall weigh at least 53 pounds.
 5. Covers shall weigh at least 16 pounds.
 6. Machined portions of the frame and cover are shown by the symbol "f". The allowable tolerance for machined areas is $\pm \frac{1}{64}$ ". Concrete shall conform to Std Spec 922.
 7. Survey monuments shall be magnetically detectable.
 8. For R/W monumentation, see ADOT R/W Plans Section Right-of-Way Monumentation Procedures and Standards.
- ▲ 12" or pavement structure thickness, whichever is greater.

APPROVED FOR DESIGN 	STATE OF ARIZONA DEPARTMENT OF TRANSPORTATION ROADWAY STANDARD DRAWINGS	REV. 5/12
APPROVED FOR DISTRIBUTION 	SURVEY MONUMENT FRAME AND COVER ①	DRAWING NO. C-21.10