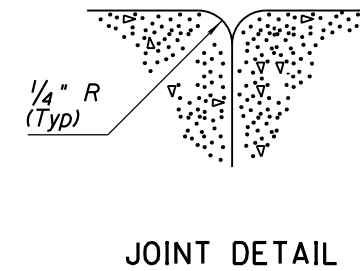
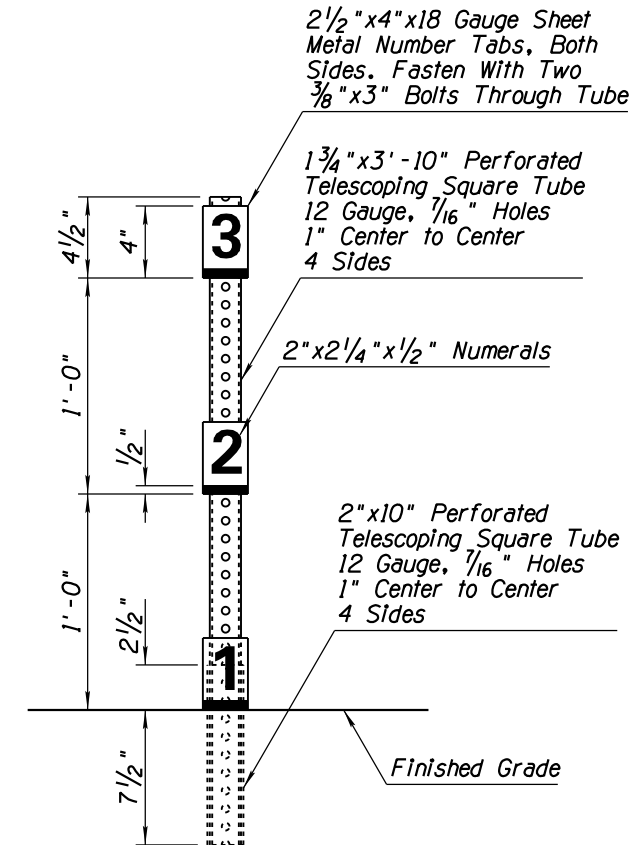
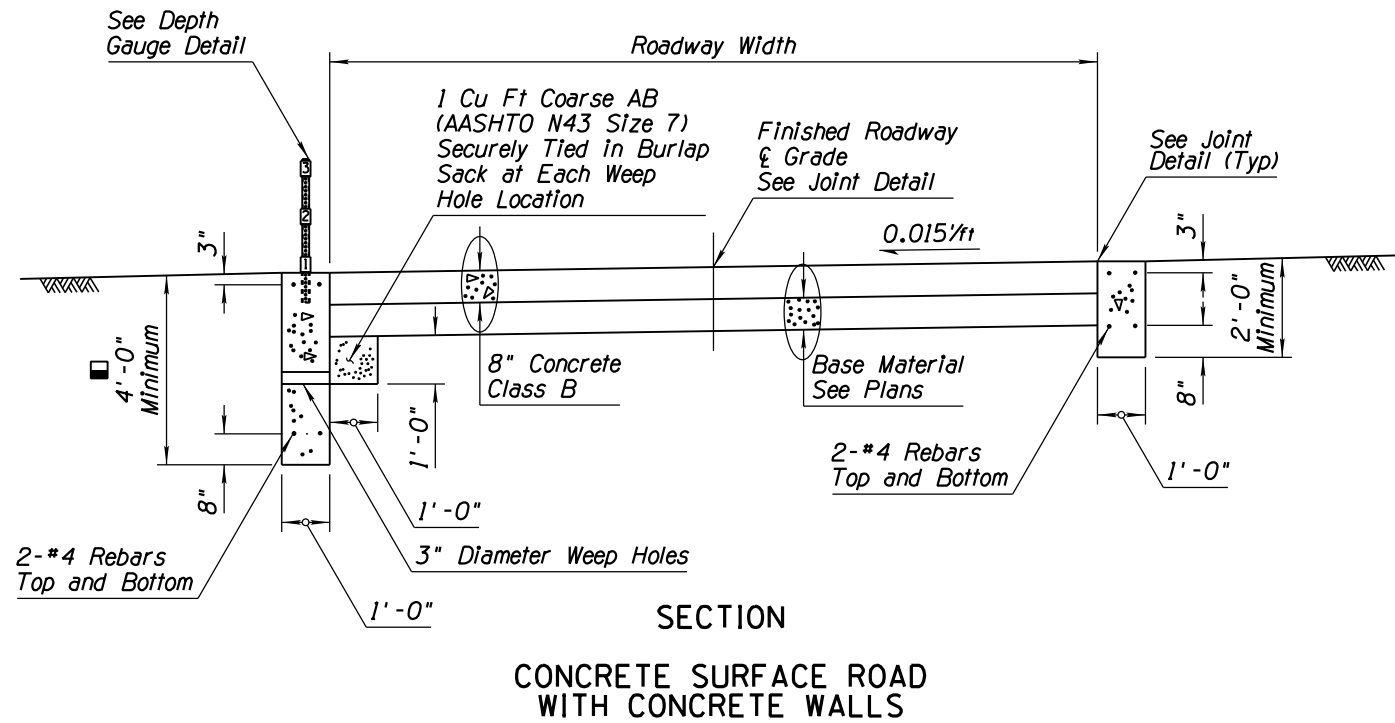


NO.	DESCRIPTION OF REVISIONS	MADE BY	DATE
1	REISSUED STD AS C-19.10, SHEET 1 OF 2	RLF	9/04
2	ADDED GENERAL NOTE 4	RLF	9/04
3			
4			

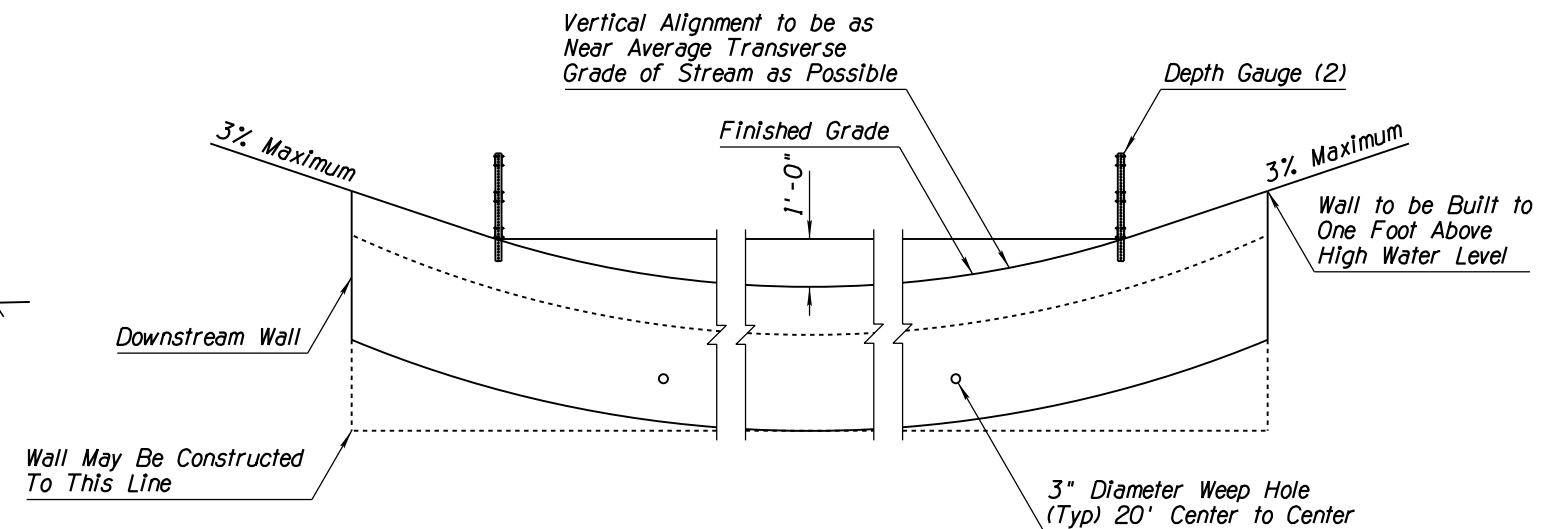
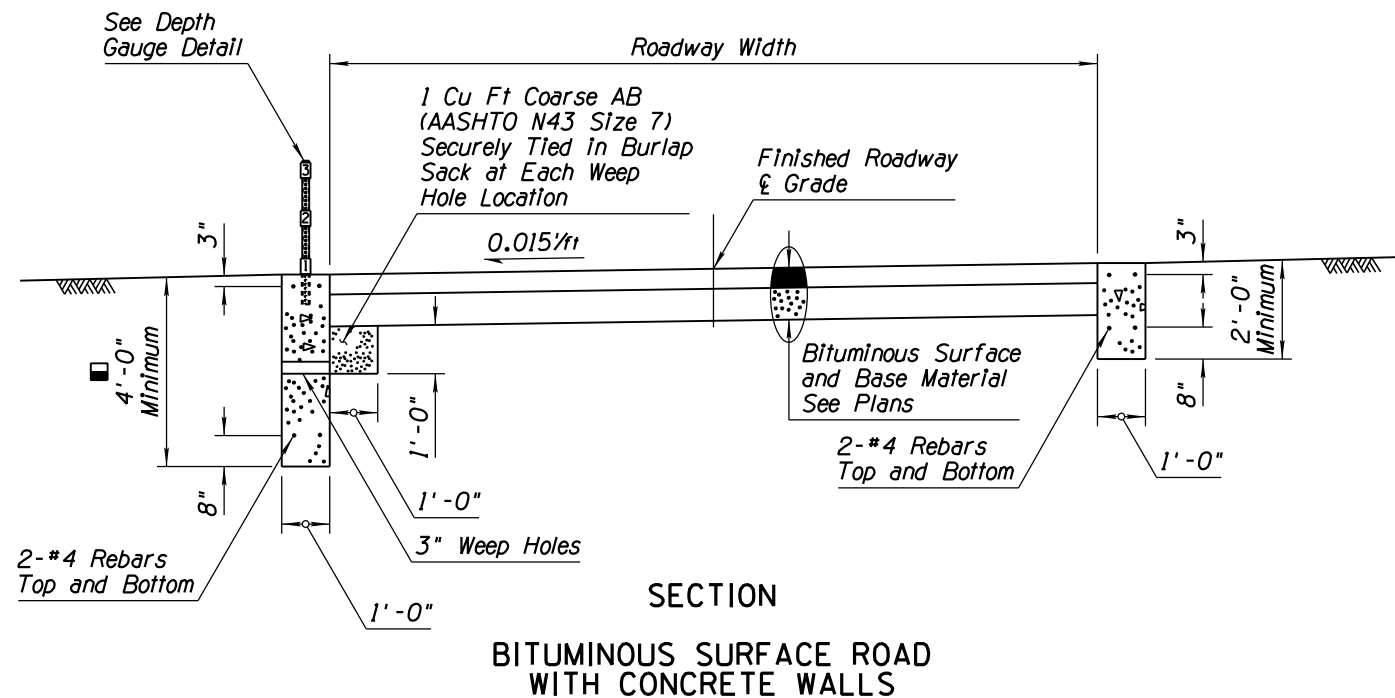
**GENERAL NOTES**

1. Ford walls shall be Class B concrete.
2. Depth gauge tubing shall be protected against concrete entering through bottom or perforations.
3. Depth gauge tubing and both sides of numeral tabs shall be painted with two coats of white enamel. Numerals and markers shall be painted with one coat of gloss black enamel.
- ② 4. Depth gauge foundation may be utility concrete.



■ Minimum Distance Below Stream Bed

**DEPTH GAUGE DETAIL**



**ELEVATION LOOKING UPSTREAM**

APPROVED FOR DESIGN 	STATE OF ARIZONA DEPARTMENT OF TRANSPORTATION ROADWAY STANDARD DRAWINGS	REV. 5/12
APPROVED FOR DISTRIBUTION 	FORD CONCRETE WALLS	DRAWING NO. C-19.10 Sheet 1 of 2