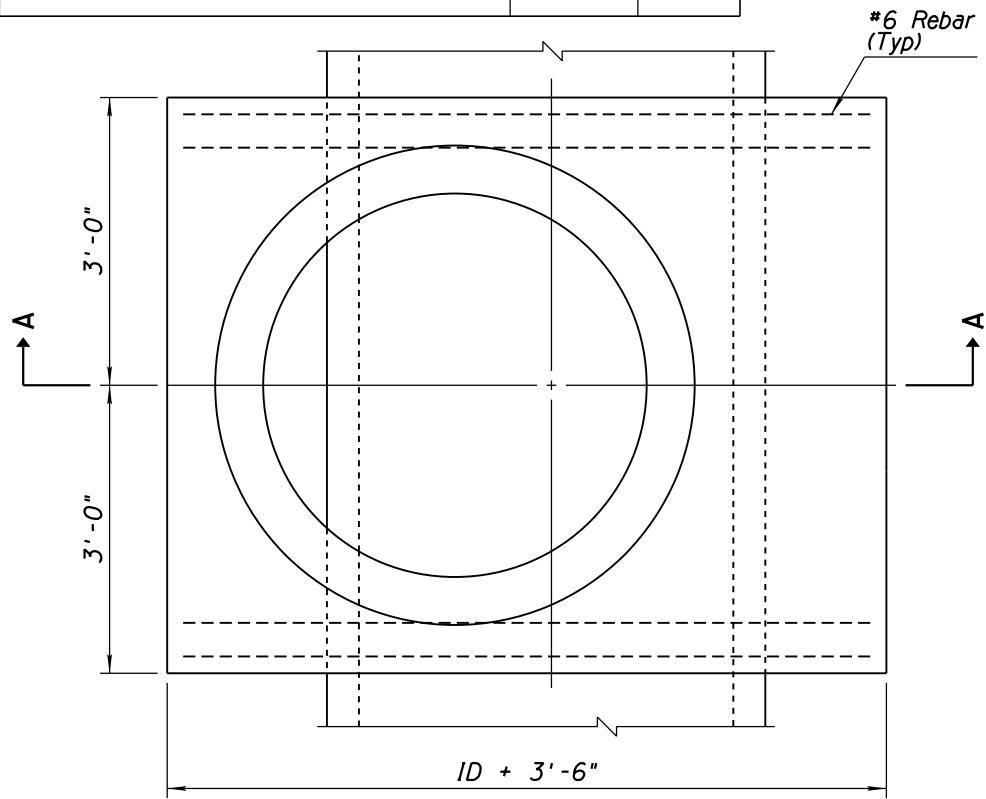
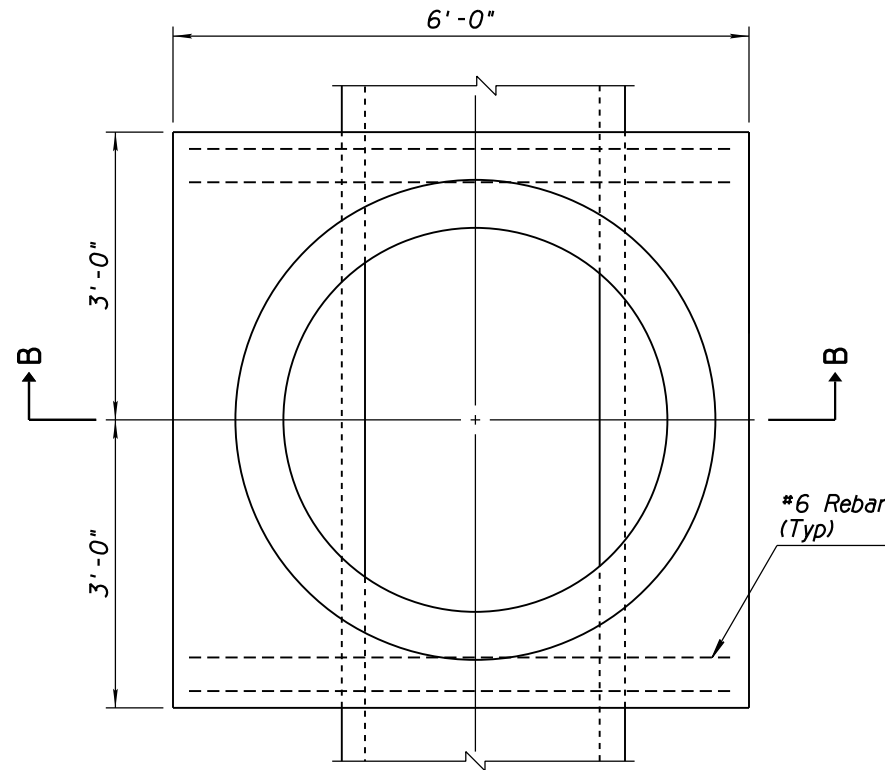


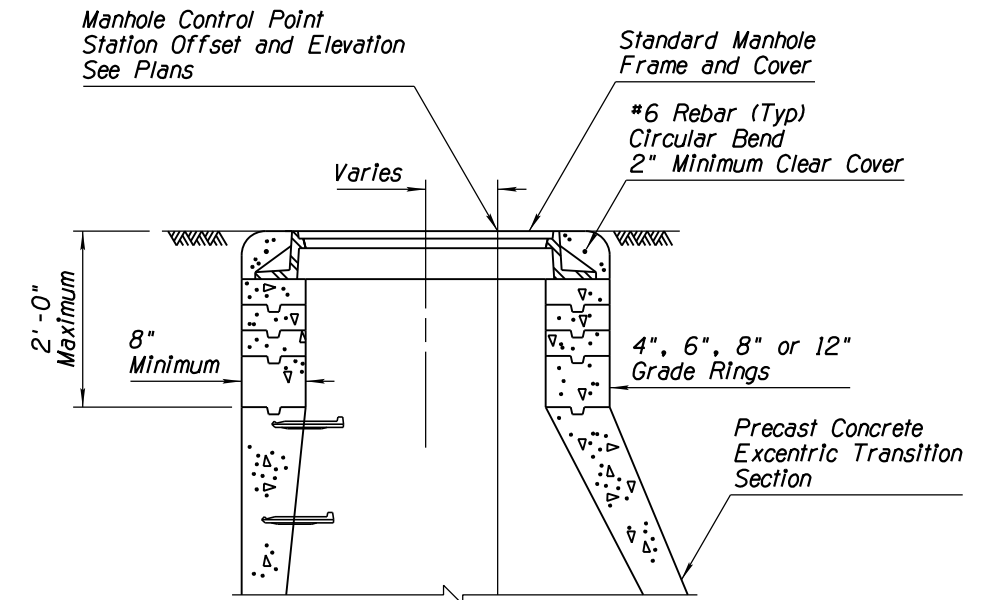
NO.	DESCRIPTION OF REVISIONS	MADE BY	DATE
1	RENAMED STD DWG TO C-18.10, SHEET 2 OF 3	RLF	9/04
2	REVISED SECTION A-A THROUGH C-C GRAPHICS	RLF	4/06
3			
4			



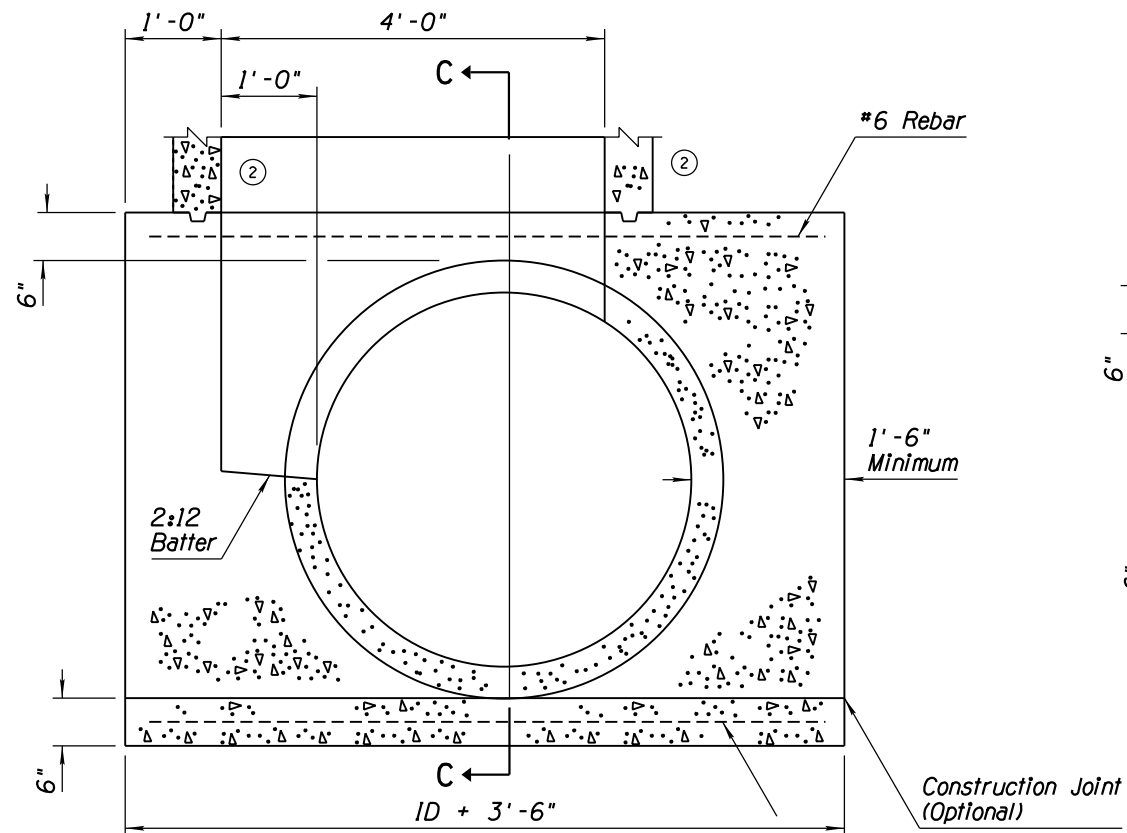
PLAN  
FOR PIPES OVER 36" ID



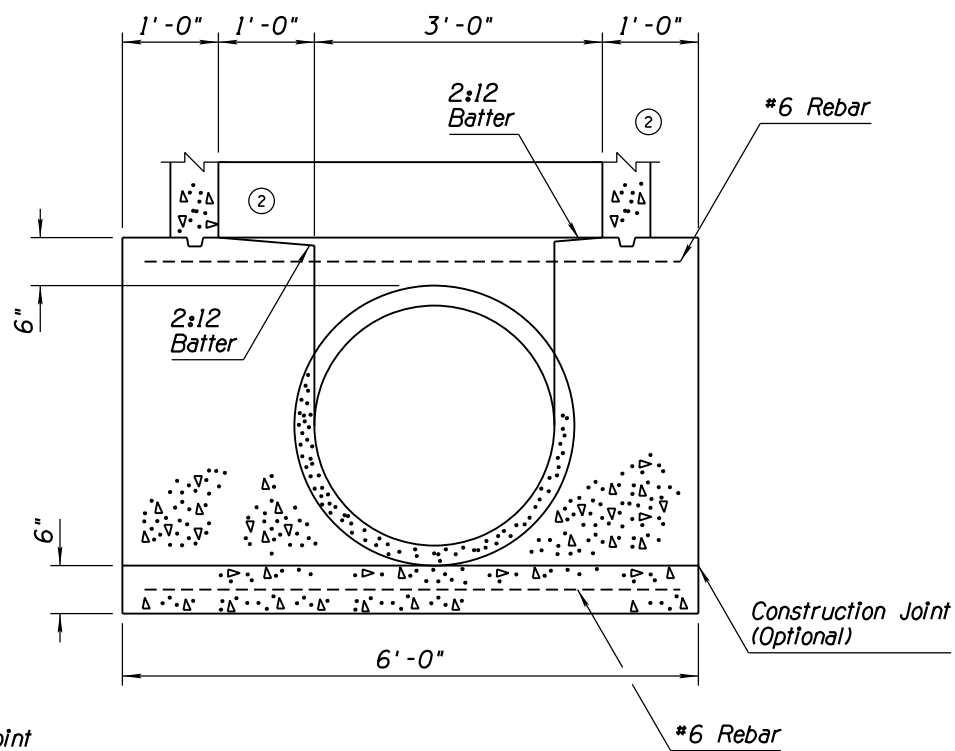
PLAN  
FOR PIPES 36" ID AND SMALLER



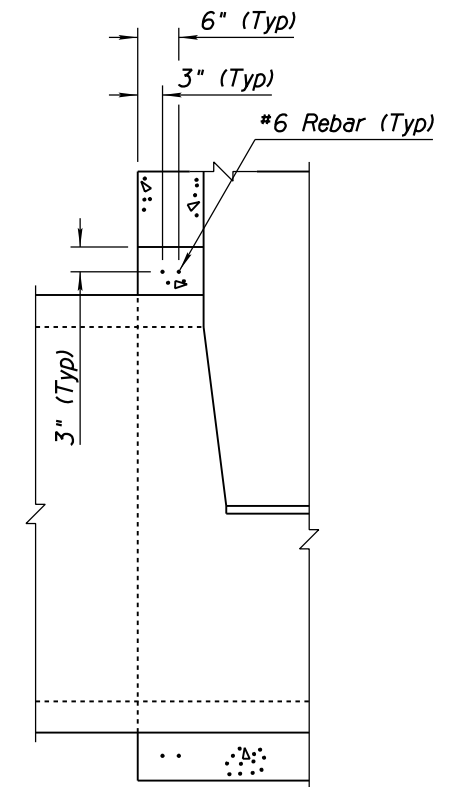
SECTION  
RING, FRAME & COVER  
NON-PAVEMENT INSTALLATION



SECTION A-A  
STANDARD BASE STRUCTURE  
FOR PIPES OVER 36" ID



SECTION B-B  
STANDARD BASE STRUCTURE  
FOR PIPES 24" TO 36" ID



SECTION C-C

APPROVED FOR DESIGN 	STATE OF ARIZONA DEPARTMENT OF TRANSPORTATION ROADWAY STANDARD DRAWINGS	REV. 5/12
APPROVED FOR DISTRIBUTION 	MANHOLE BASE DETAILS NORMAL INSTALLATION	DRAWING NO. C-18.10 Sheet 2 of 3