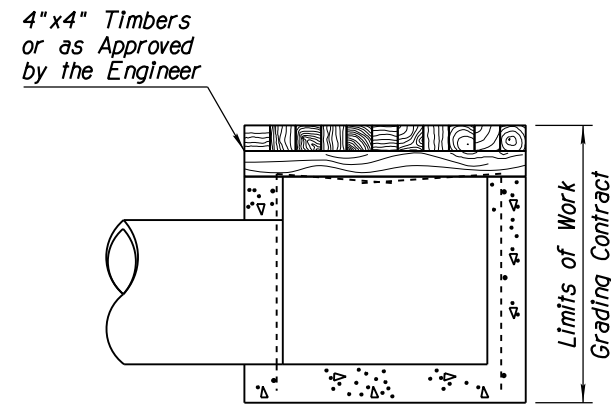
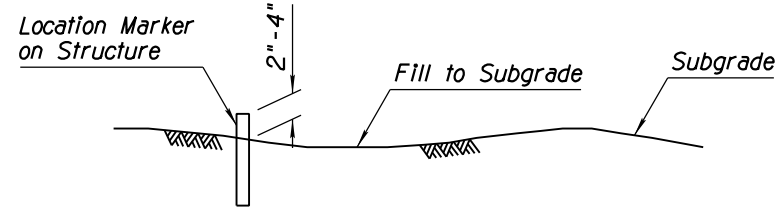
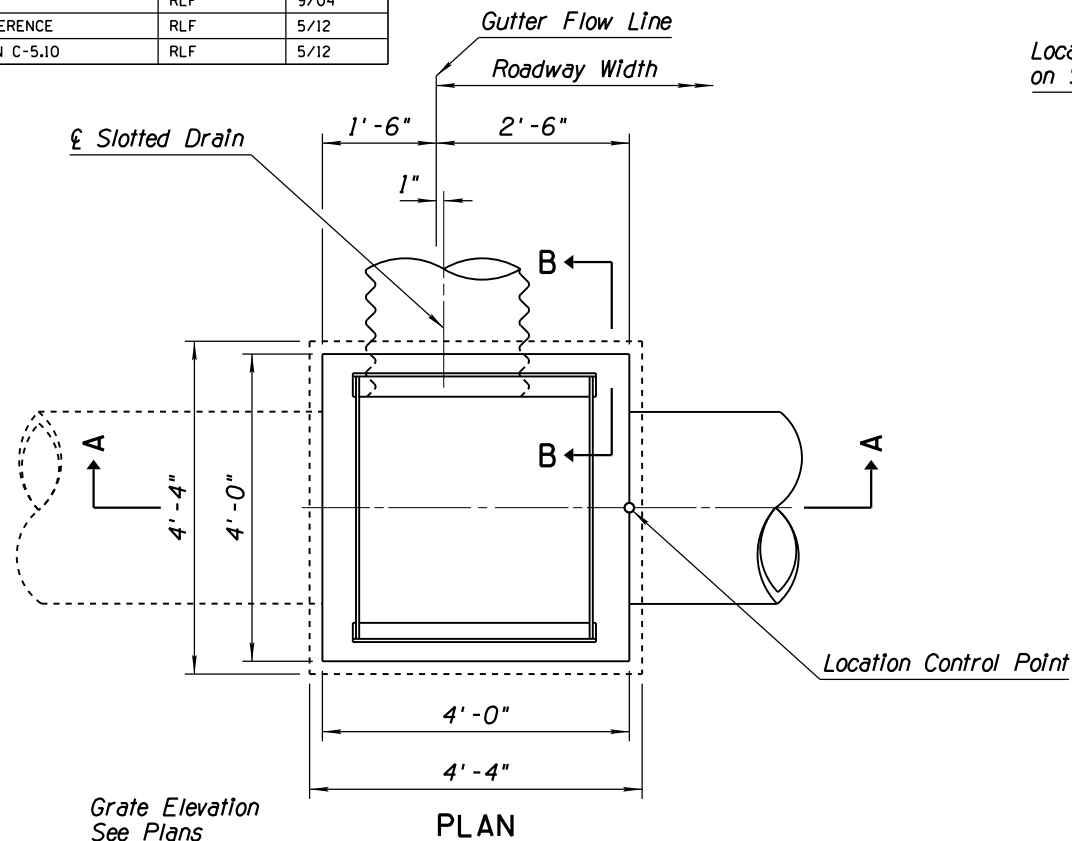


NO	DESCRIPTION OF REVISIONS	MADE BY	DATE
1	DELETED PREVIOUS GENERAL NOTE # 2	RLF	7/01
2	REVISED THICKNESS SPECIFICATION	RLF	9/04
3	REVISED VIEW; ADDED CURB & GUTTER REFERENCE	RLF	5/12
4	REMOVED CURB HEIGHT DIMENSIONS; ARE ON C-5.10	RLF	5/12

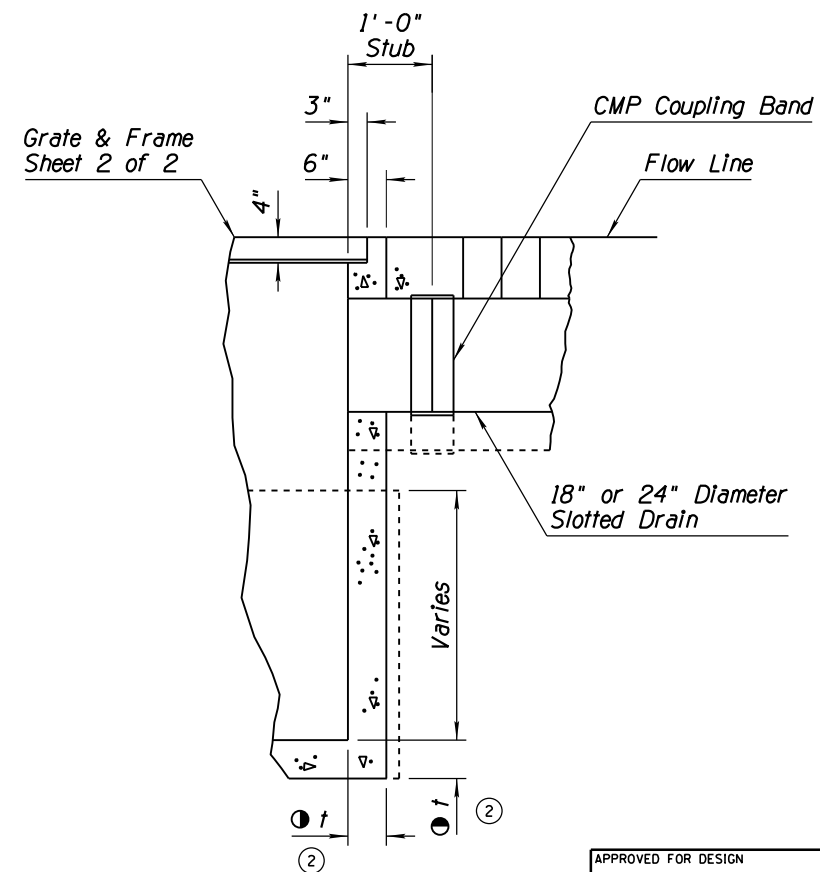
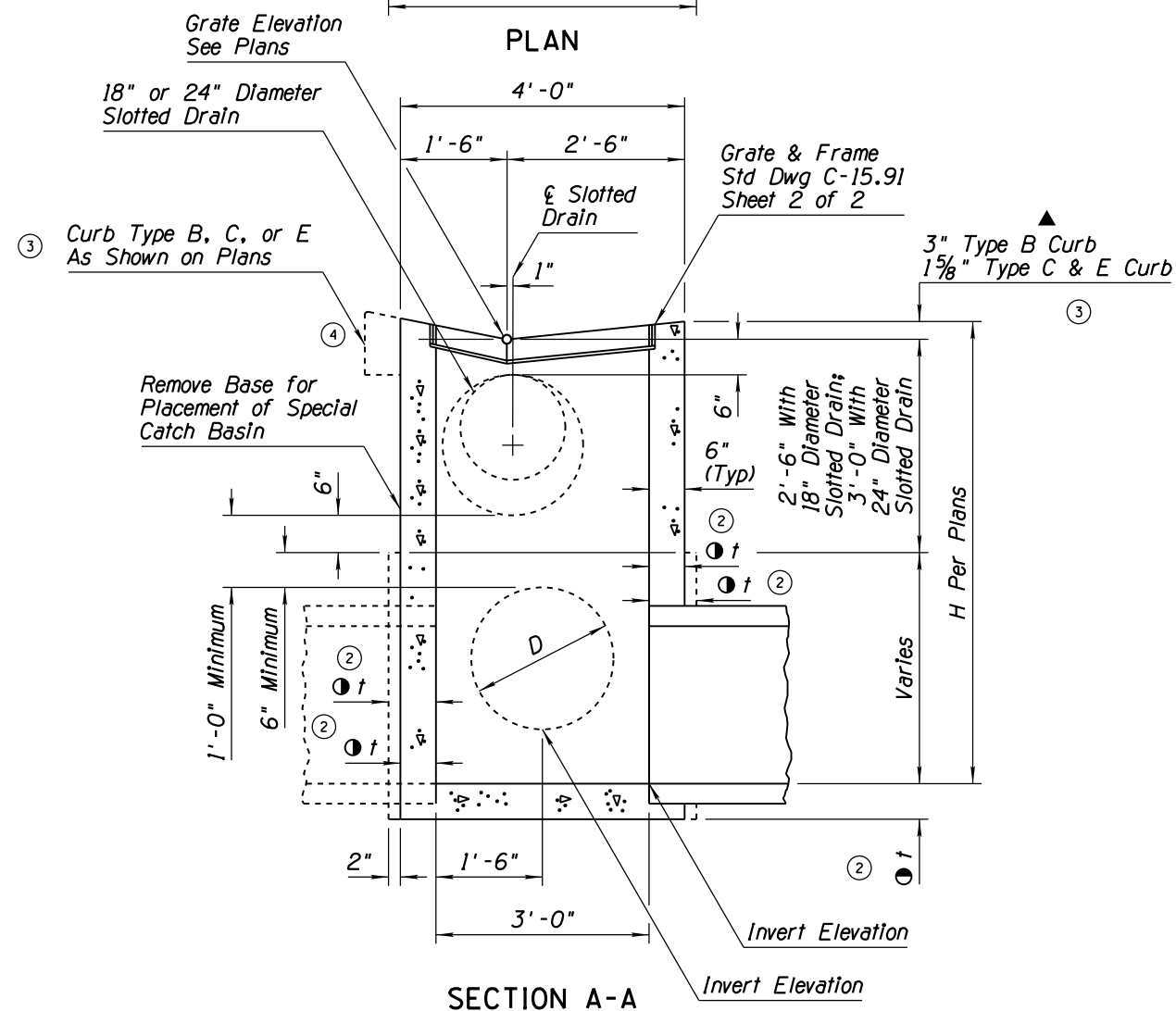
GENERAL NOTES

1. All concrete shall be Class B.
 - ① 2. All rebar shall have 2" minimum clear cover unless otherwise noted.
 3. #4 rebar shall be placed 12" center to center horizontal & vertical in walls.
 4. Pipe may be placed in any wall.
 5. See Std Dwgs C-13.60 and C-13.65 for more information and dimensions of slotted drains.
- ▲ Includes 1" Inlet Depression
- ② $t = 6"$ when H is 8' or less
 $8"$ when H is greater than 8'



NOTE:
 Bend Rebars and Cover With
 Two Layers of 4"x4" Timbers

TEMPORARY TIMBER CAP DETAIL



APPROVED FOR DESIGN 	STATE OF ARIZONA DEPARTMENT OF TRANSPORTATION ROADWAY STANDARD DRAWINGS	REV. 5/12
APPROVED FOR DISTRIBUTION 	FREWAY CATCH BASIN DETAILS	DRAWING NO. C-15.91 Sheet 1 of 2