

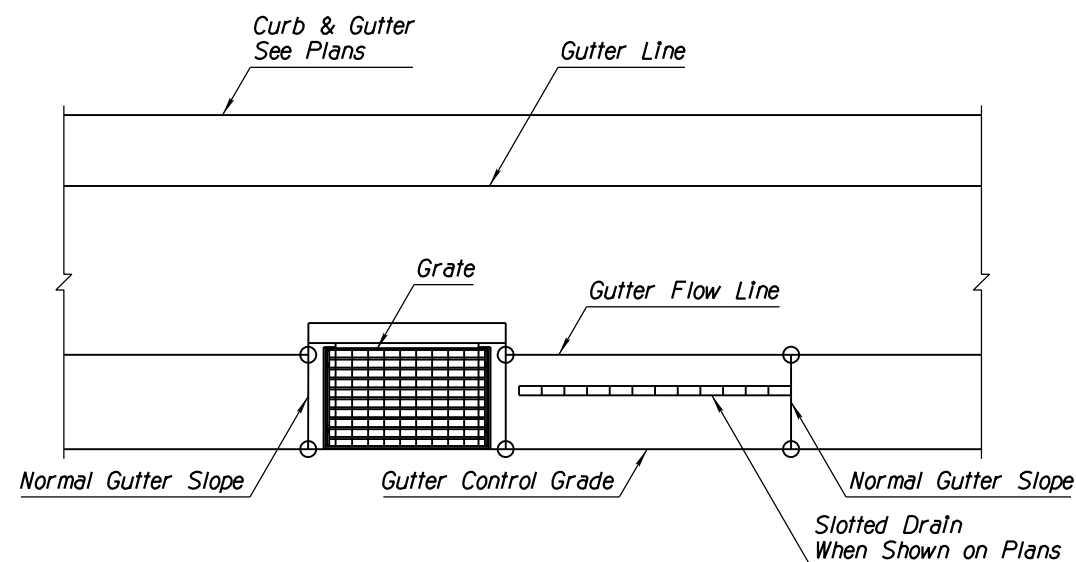
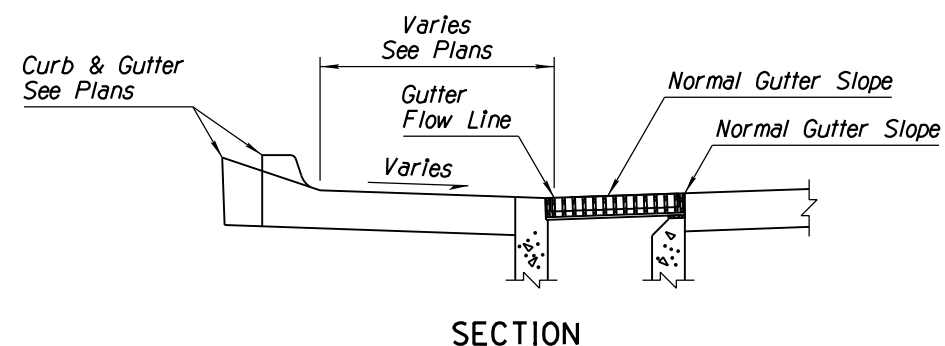
NO	DESCRIPTION OF REVISIONS	MADE BY	DATE
1	REMOVED CMP DESIGNATION	RLF	9/04
2	ADDED NOTE	RLF	9/04
3			
4			

GENERAL NOTES

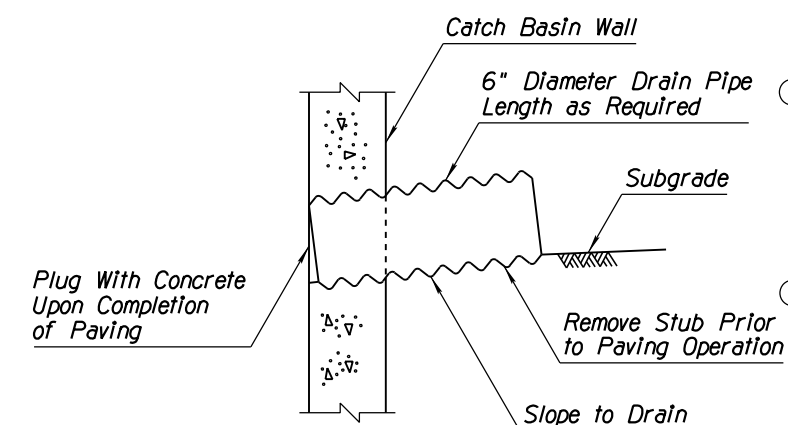
1. Construction drain may be deleted at the option of the Engineer.

LEGEND

○ - Normal pavement or gutter flow line elevation.



TYPE 4 CATCH BASIN WITHOUT CURB



CATCH BASIN CONSTRUCTION DRAIN

APPROVED FOR DESIGN 	STATE OF ARIZONA DEPARTMENT OF TRANSPORTATION ROADWAY STANDARD DRAWINGS	REV. 5/12
APPROVED FOR DISTRIBUTION 	CATCH BASIN MISCELLANEOUS DETAILS	DRAWING NO. C-15.70 Sheet 2 of 2