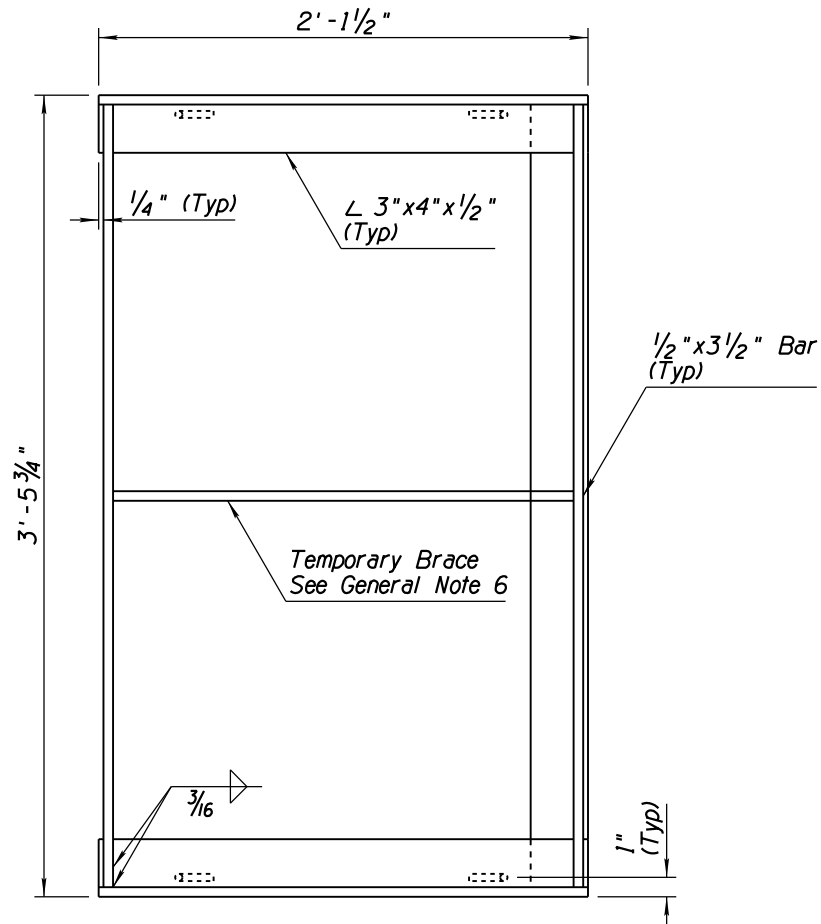


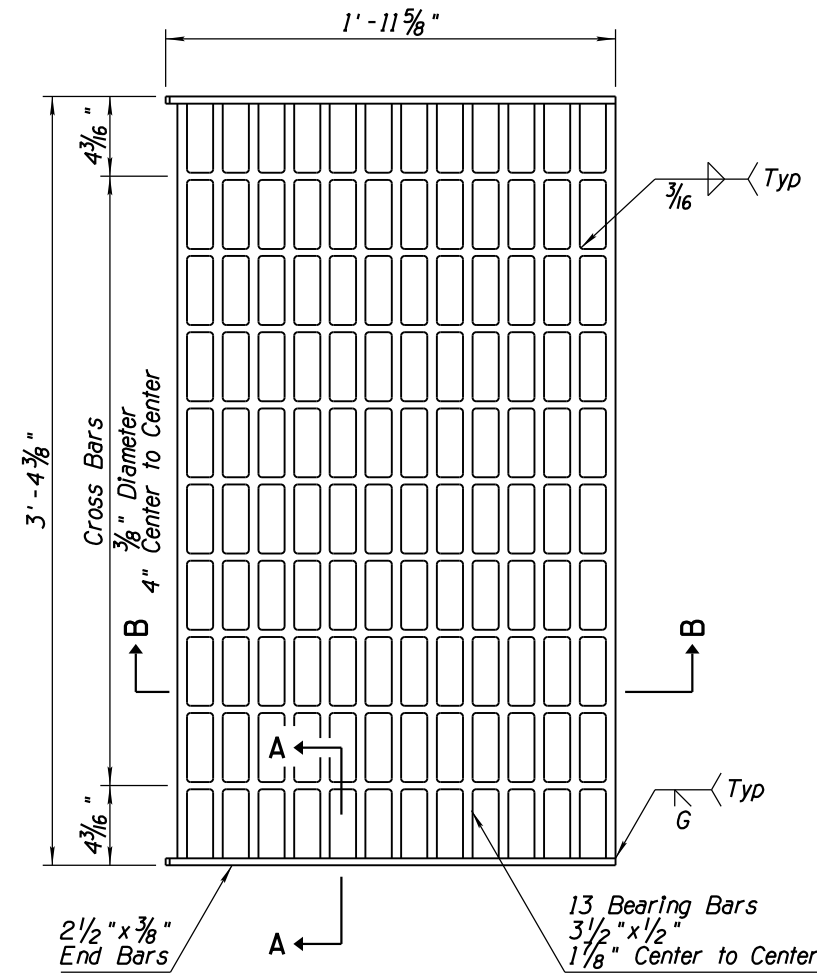
NO	DESCRIPTION OF REVISIONS	MADE BY	DATE
1	REVISED GRATE DIMENSIONS AND REISSUED STANDARD	RLF	7/01
2			
3			
4			

GENERAL NOTES

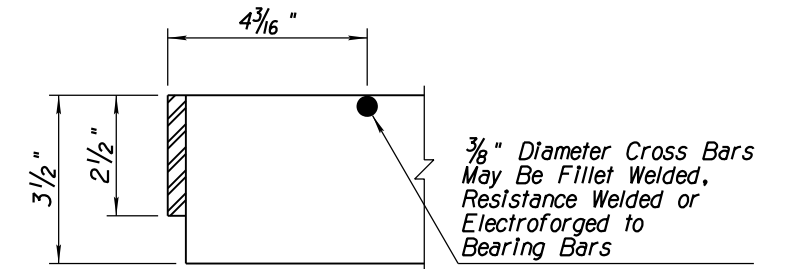
1. Grating units and frames shall be fabricated from structural steel ASTM A36 except as noted.
2. All welding shall be in accordance with Std Spec 604-3.06.
3. The completed assembly shall be given one shop coat of Number 1 paint.
4. Frames and grates shall fit to a maximum rock of $\frac{3}{32}$ " at any point.
5. Grate opening is 3.60 Sq Ft.
6. Bracing of frame is recommended for handling and placement purposes.
7. Frame and Grate to be used with Std Dwgs C-15.10, C-15.30 and C-15.40.
8. Grate may be used with Std Dwg C-15.92 Frame.



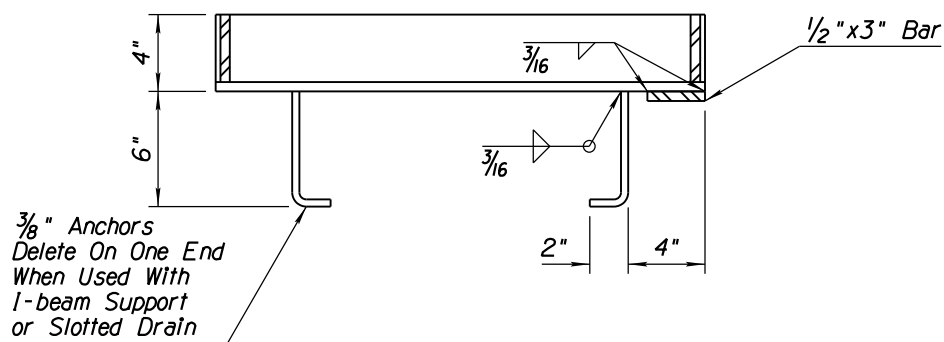
PLAN



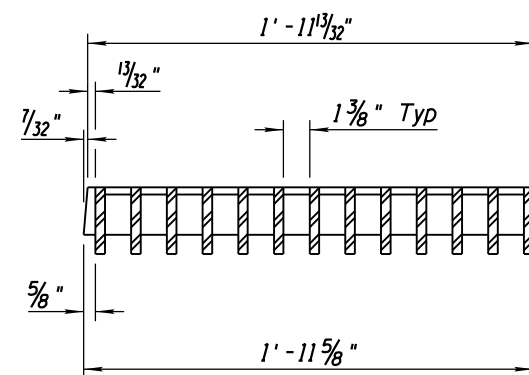
PLAN



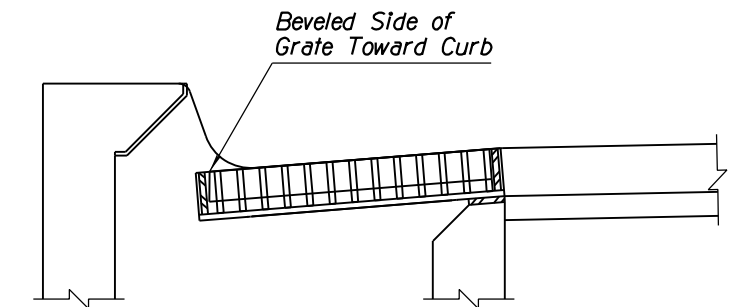
SECTION A-A



SECTION FRAME



SECTION B-B
GRATE



TYPICAL INSTALLATION

C-15.10 Catch Basin Shown
Similar for C-15.30 and C-15.40

APPROVED FOR DESIGN 	STATE OF ARIZONA DEPARTMENT OF TRANSPORTATION ROADWAY STANDARD DRAWINGS	REV. 5/12
APPROVED FOR DISTRIBUTION 	CATCH BASIN FRAME AND GRATE	DRAWING NO. C-15.50