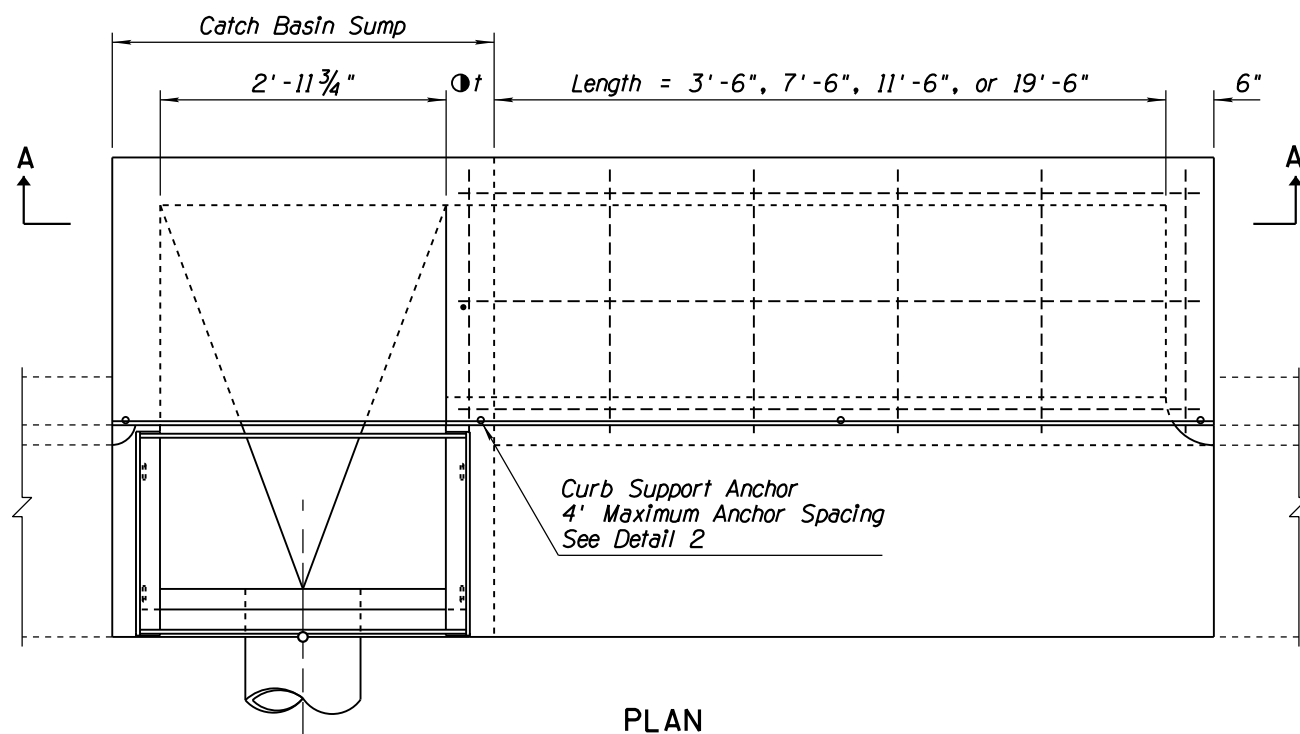


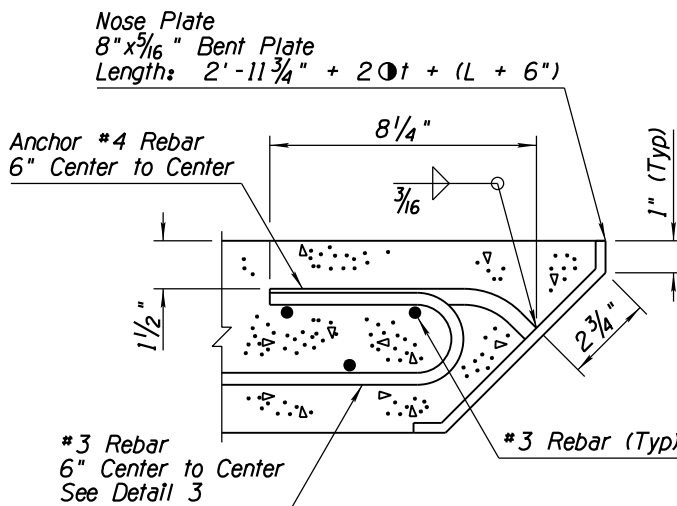
| NO | DESCRIPTION OF REVISIONS | MADE BY | DATE |
|----|--------------------------|---------|------|
| 1 | | | |
| 2 | | | |
| 3 | | | |
| 4 | | | |

GENERAL NOTES

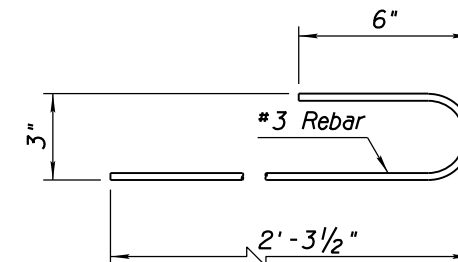
- See Sheet 1 of 2 for other dimensions, notes and rebar.
- $t = 6"$ when H is 8' or less
 $8"$ when H is greater than 8'



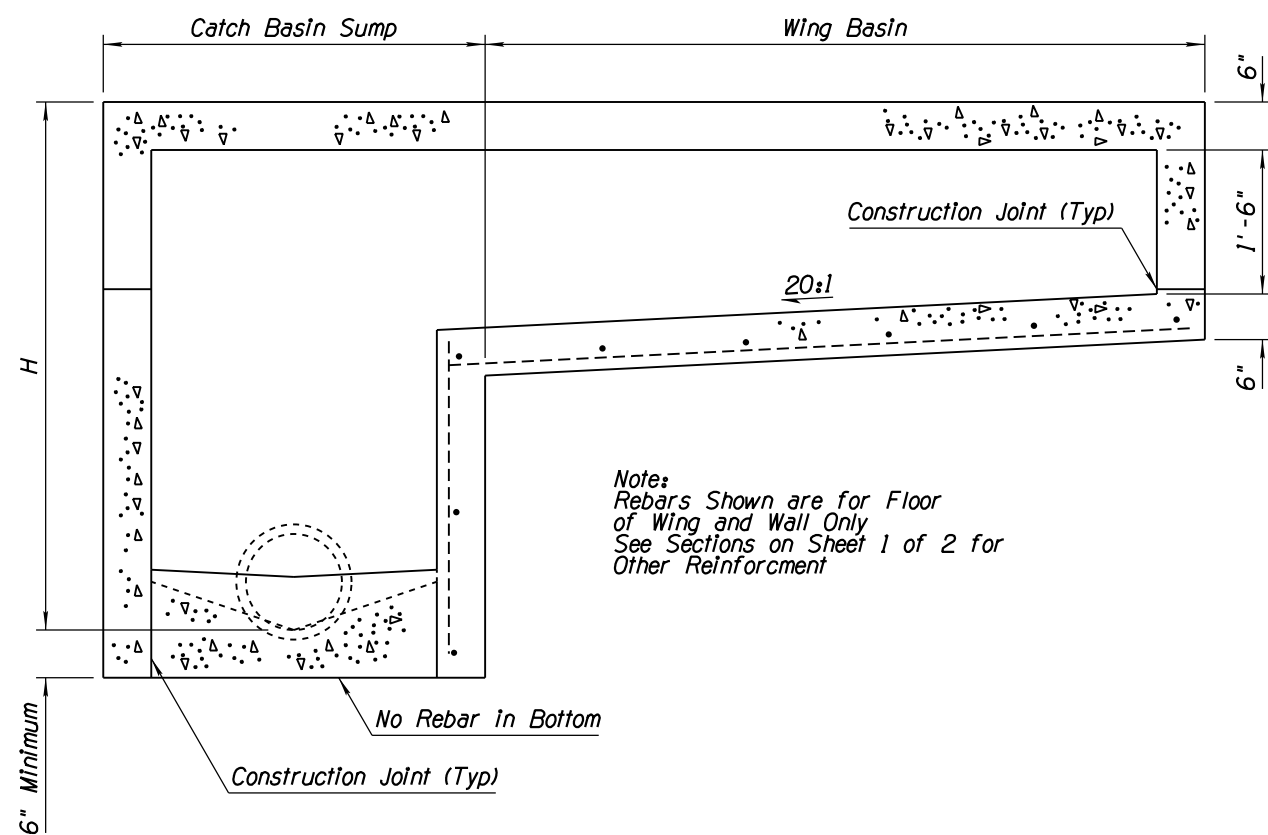
PLAN



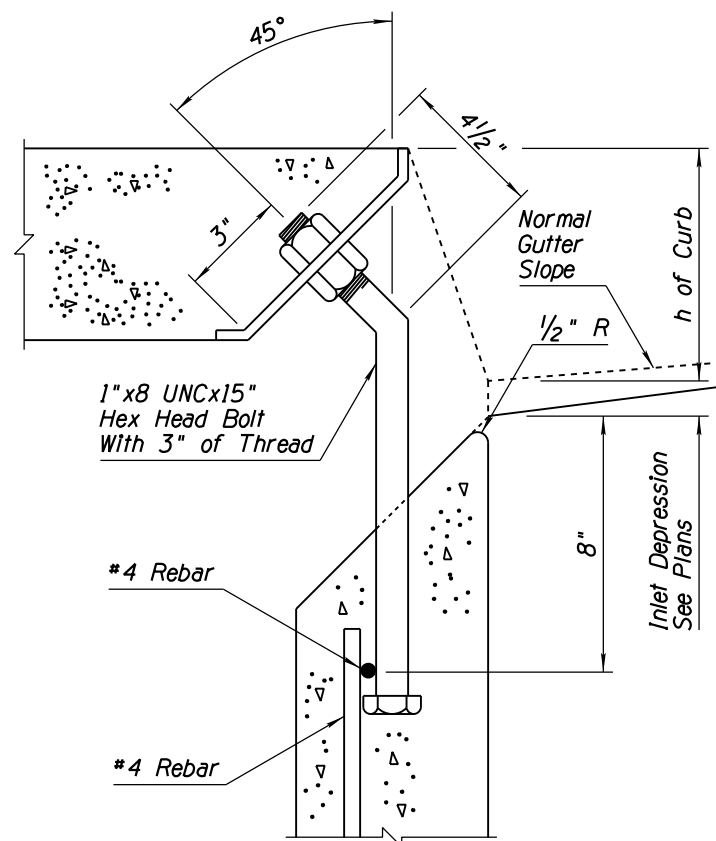
DETAIL 1



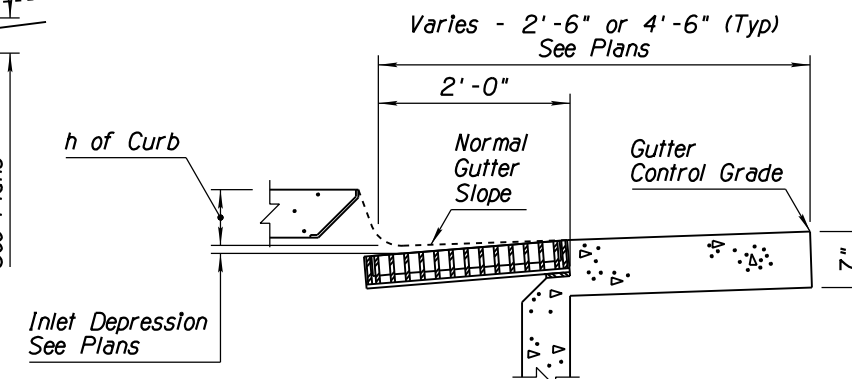
DETAIL 3



SECTION A-A
USE THIS SECTION WHEN H IS GREATER THAN 5'



DETAIL 2
CURB SUPPORT ANCHOR



DETAIL 4

| | | |
|-------------------------------|---|--|
| APPROVED FOR DESIGN | STATE OF ARIZONA DEPARTMENT OF TRANSPORTATION ROADWAY STANDARD DRAWINGS | REV. 5/12 |
| APPROVED FOR DISTRIBUTION | CATCH BASIN TYPE 5 | DRAWING NO. C-15.40 Sheet 2 of 2 |