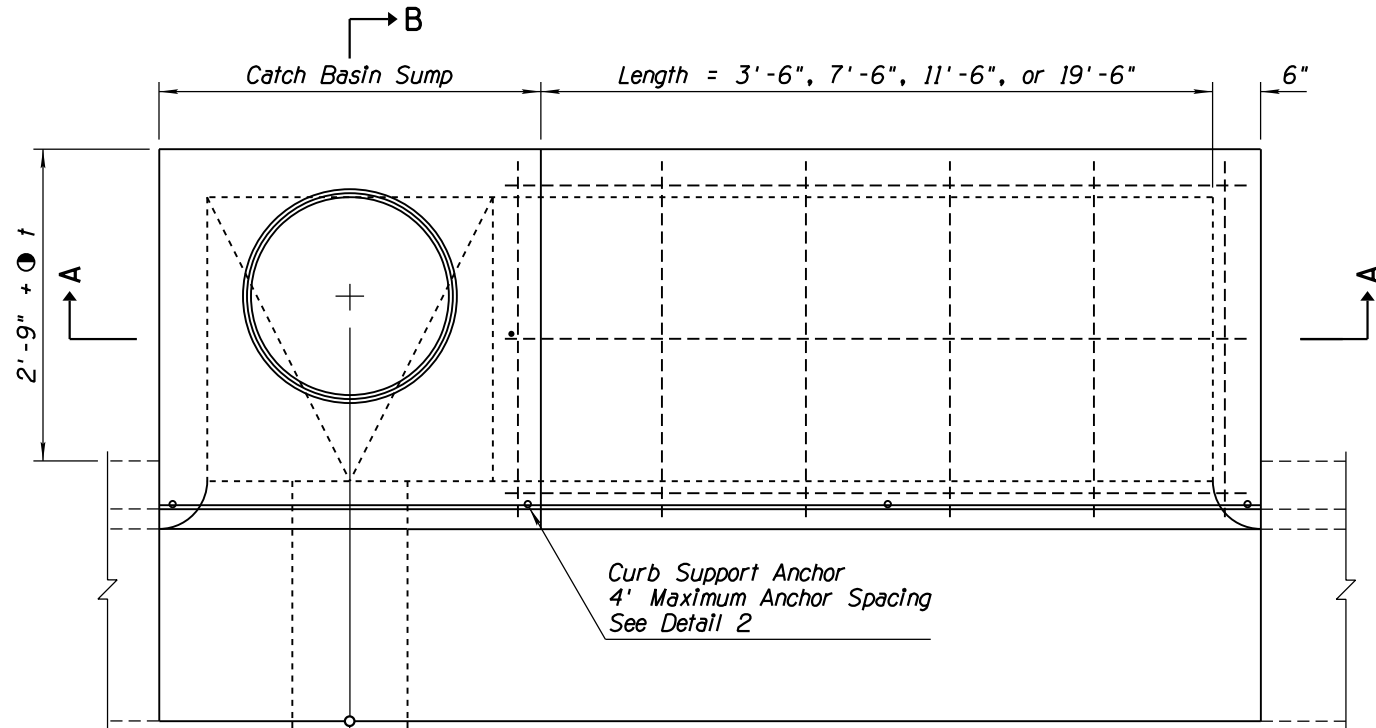
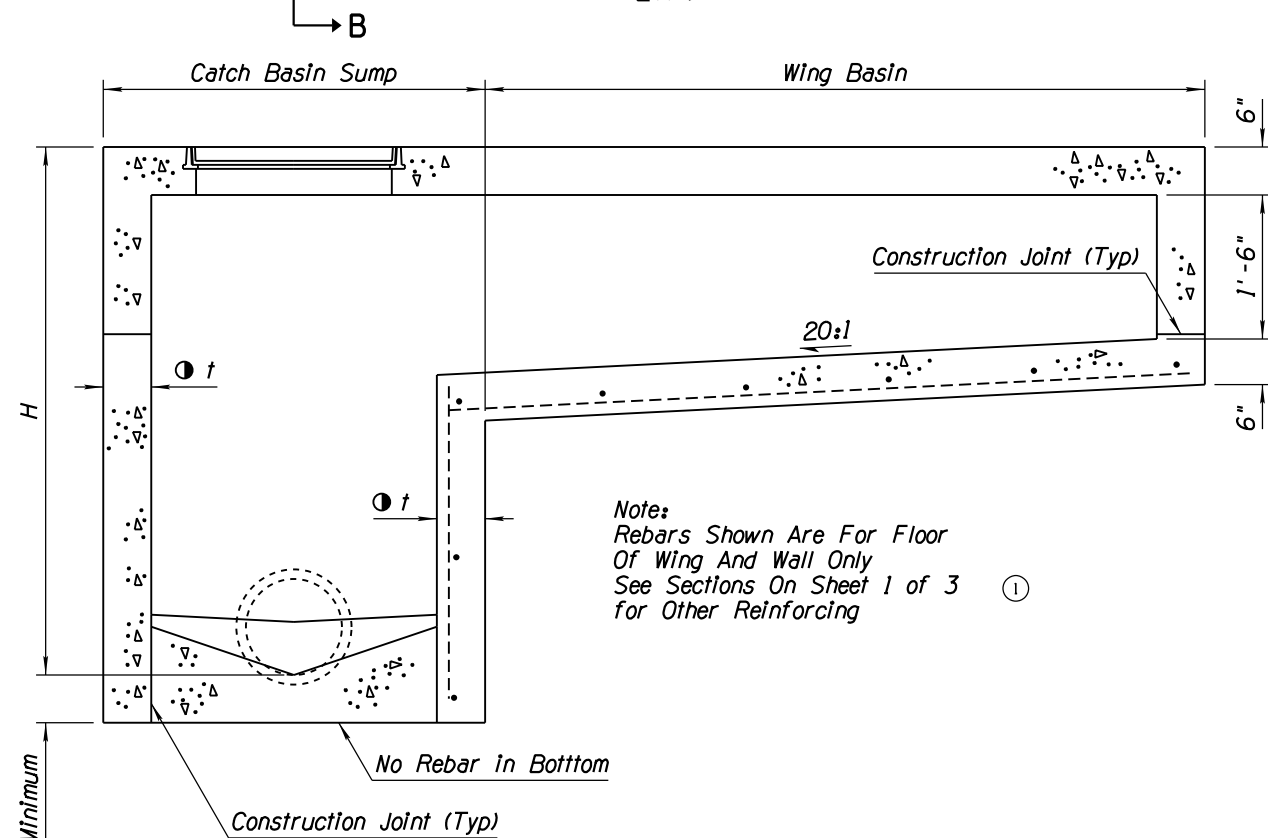


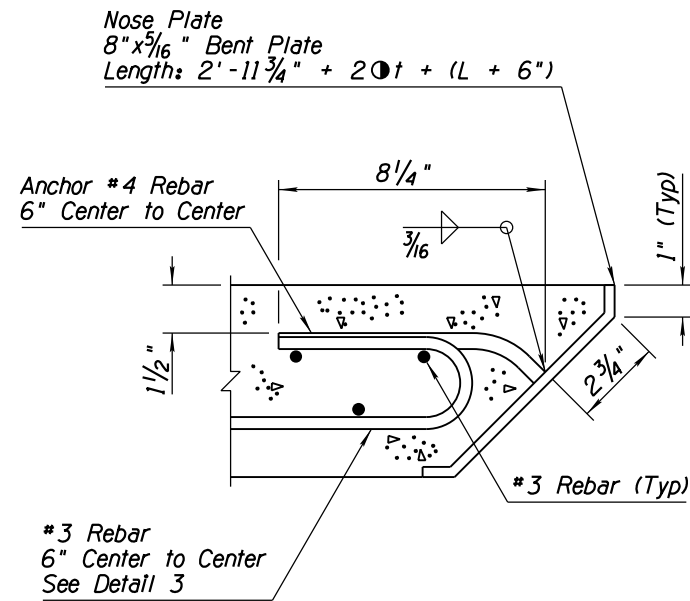
NO.	DESCRIPTION OF REVISIONS	MADE BY	DATE
1	REVISED SHEET NUMBER REFERENCE	RLF	5/07
2			
3			
4			



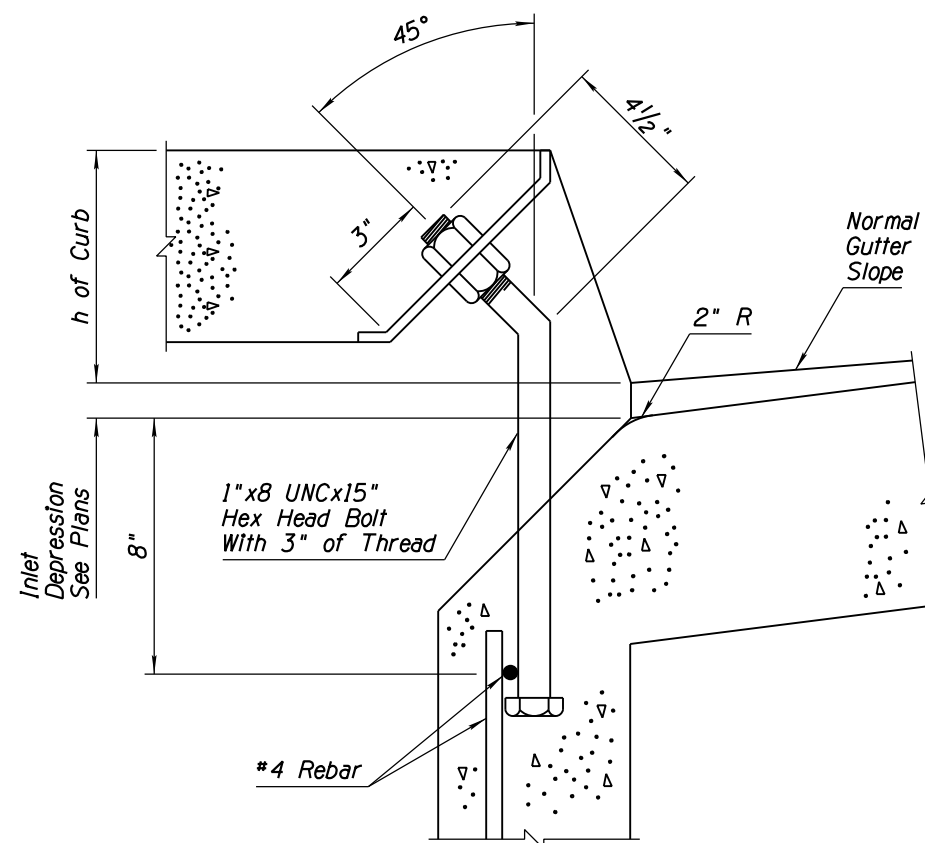
PLAN



SECTION A-A
USE THIS SECTION WHEN H IS GREATER THAN 5'

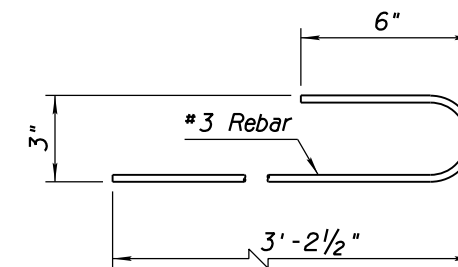


DETAIL 1

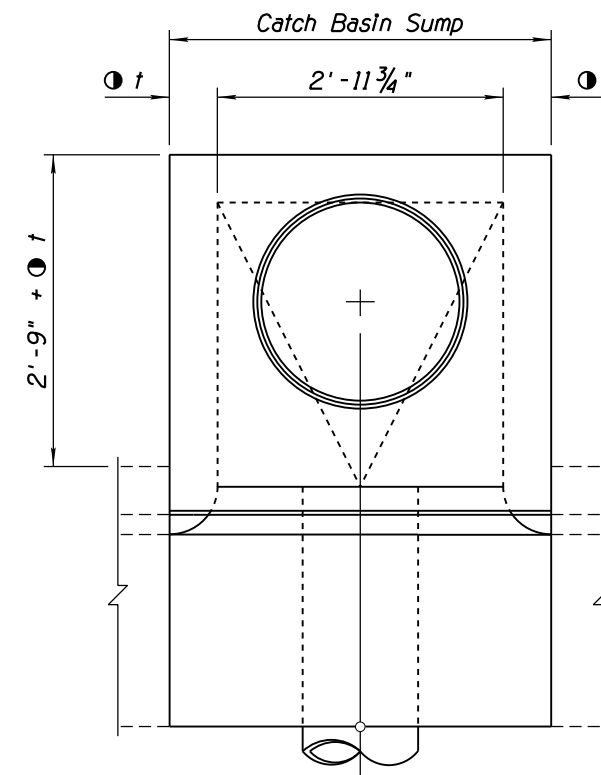


DETAIL 2
CURB SUPPORT ANCHOR

- GENERAL NOTES**
1. See Sheet 1 of 3 for other dimensions, notes and rebar.
 2. $t = 6"$ when H is 8' or less
 $8"$ when H is greater than 8'



DETAIL 3



DETAIL 4

APPROVED FOR DESIGN 	STATE OF ARIZONA DEPARTMENT OF TRANSPORTATION ROADWAY STANDARD DRAWINGS	REV. 5/12
APPROVED FOR DISTRIBUTION 	CATCH BASIN TYPE 3	DRAWING NO. C-15.20 Sheet 2 of 3