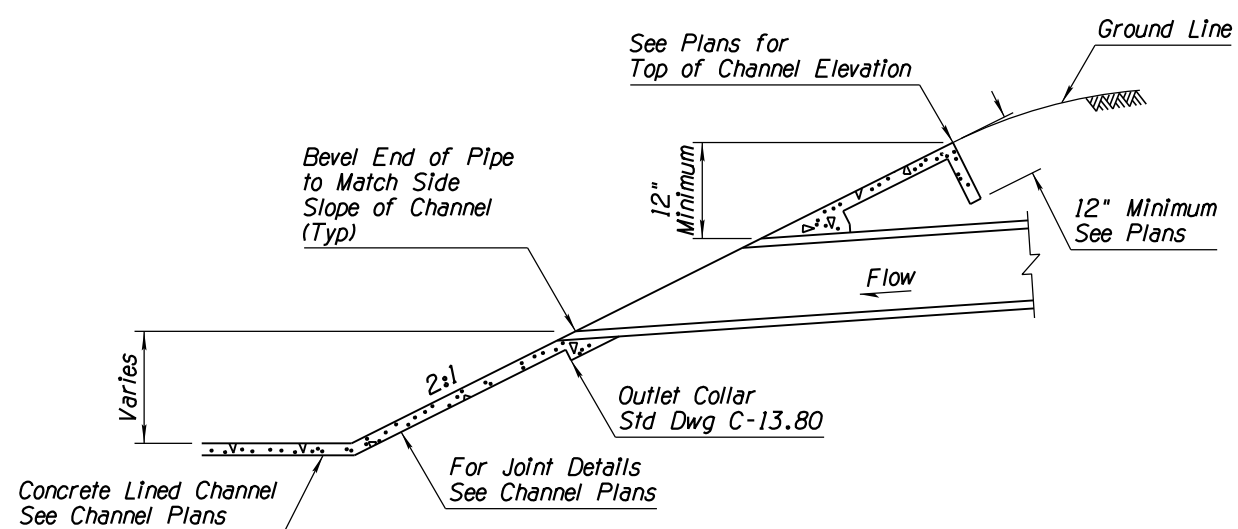


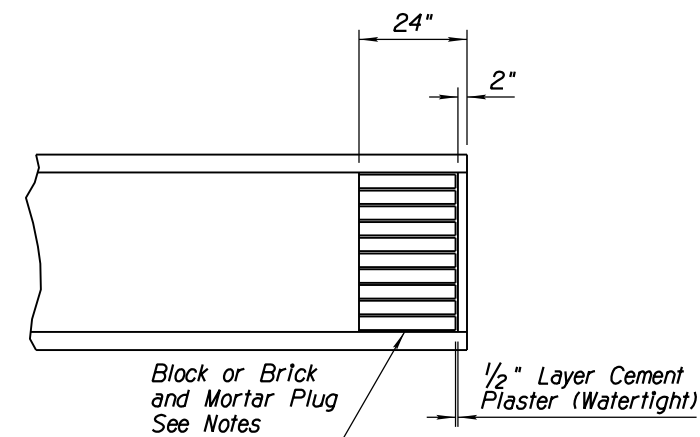
NO	DESCRIPTION OF REVISIONS	MADE BY	DATE
1	RENAMED STANDARD FROM C-13.75, SHEET 2	RLF	9/04
2			
3			
4			

GENERAL NOTES


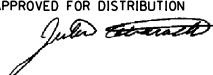
1. Compact soil at end of pipe plug to 95% of maximum density.
2. If depth of cover is less than 5' or greater than 10', increase plug thickness a minimum of 4".



DRAINAGE OUTLET INTO CHANNEL



STORM DRAIN PLUG

APPROVED FOR DESIGN 	STATE OF ARIZONA DEPARTMENT OF TRANSPORTATION ROADWAY STANDARD DRAWINGS	REV. 5/12
APPROVED FOR DISTRIBUTION 	STORM DRAIN OUTLET AND STORM DRAIN PLUG (1)	DRAWING NO. C-13.76 (1)