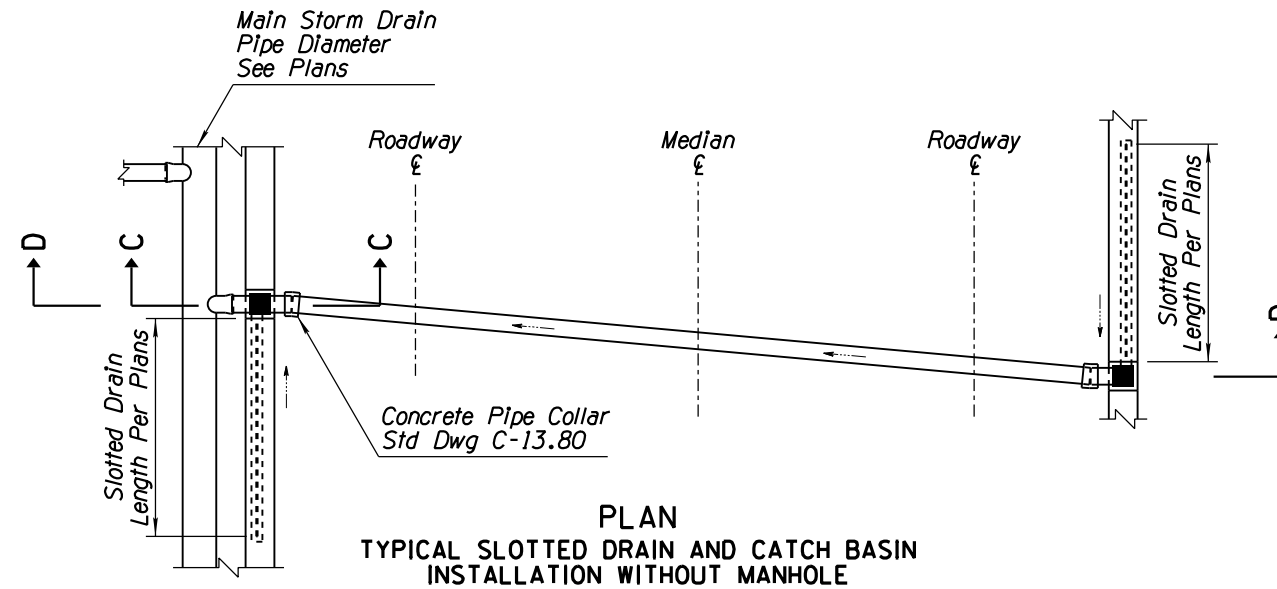
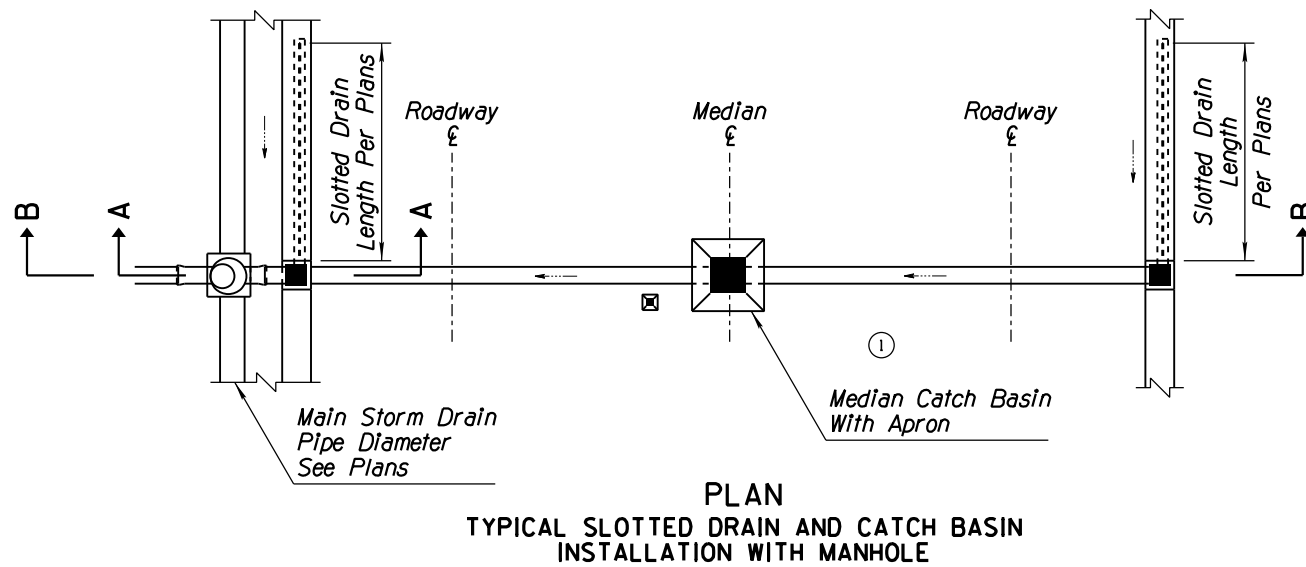
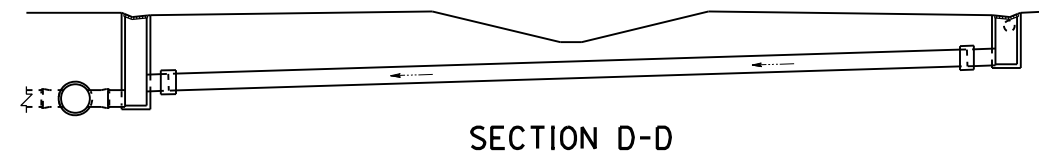
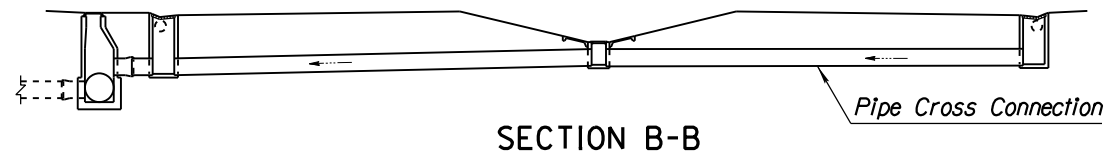
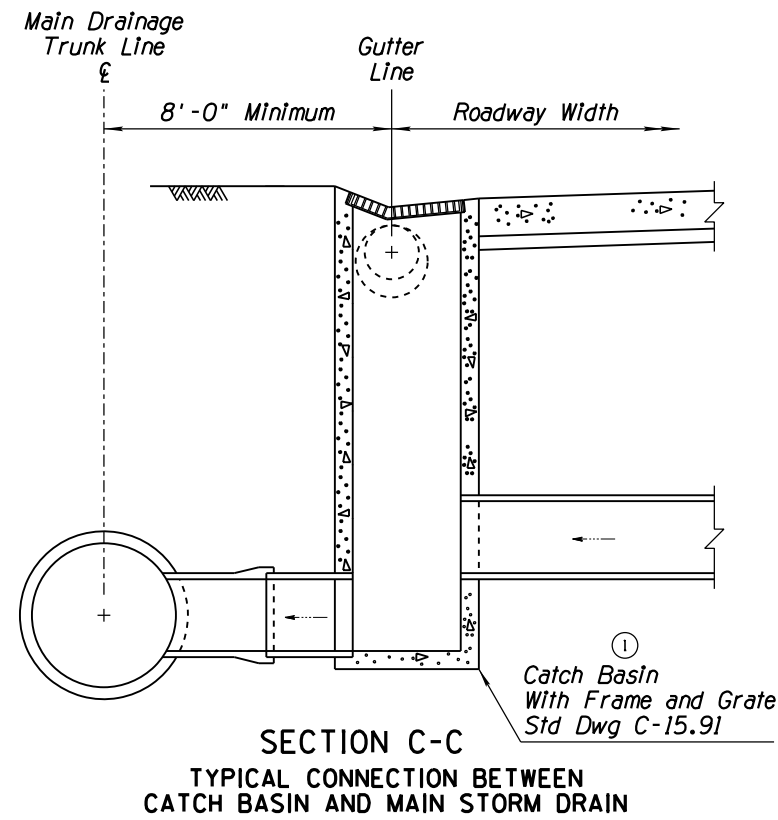
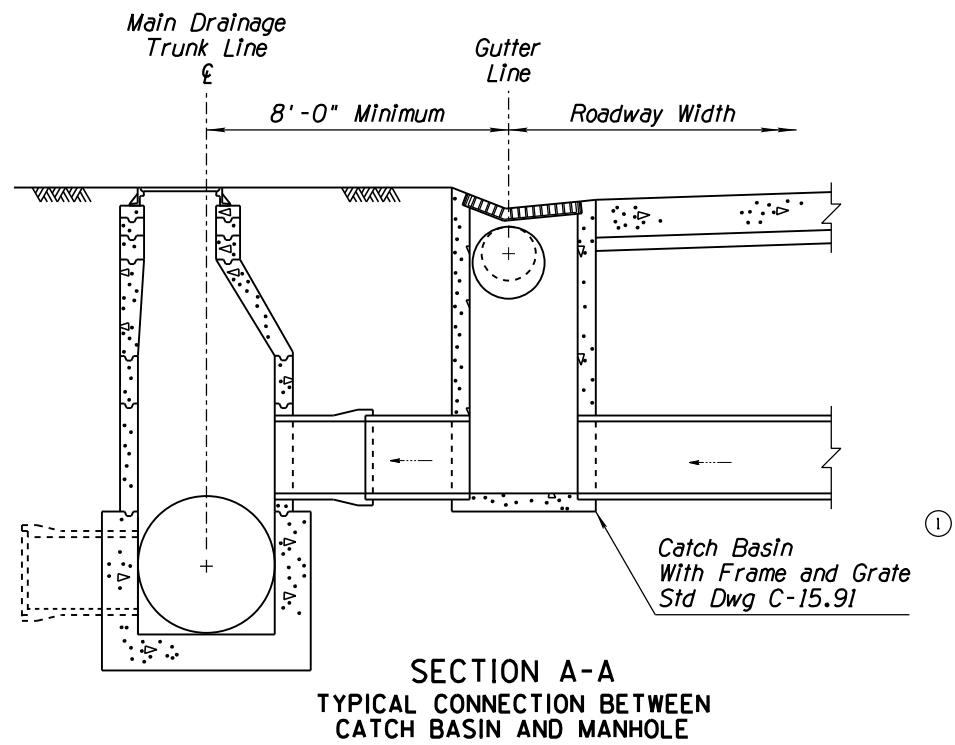


NO	DESCRIPTION OF REVISIONS	MADE BY	DATE
1	REVISED CATCH BASIN REFERENCE	RLF	9/04
2			
3			
4			

GENERAL NOTES

1. Pipe collars are not required where direct catch basin connections can be made within 7° of a normal 90° installation, either horizontally or vertically.
2. "T" connections direct to the main drainage trunk line should be avoided and used only where manhole connections are impractical.



APPROVED FOR DESIGN 	STATE OF ARIZONA DEPARTMENT OF TRANSPORTATION ROADWAY STANDARD DRAWINGS	REV. 5/12
APPROVED FOR DISTRIBUTION 	SLOTTED DRAIN INSTALLATION DETAILS	DRAWING NO. C-13.65