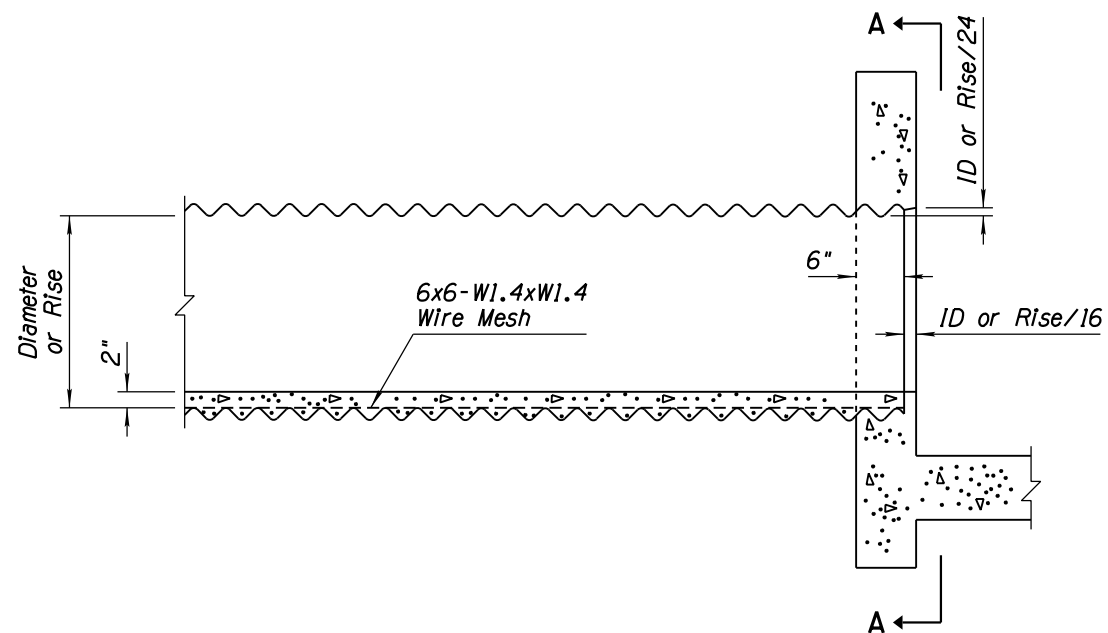


NO.	DESCRIPTION OF REVISIONS	MADE BY	DATE
1	DELETED GENERAL NOTE 7	RLF	9/04
2			
3			
4			

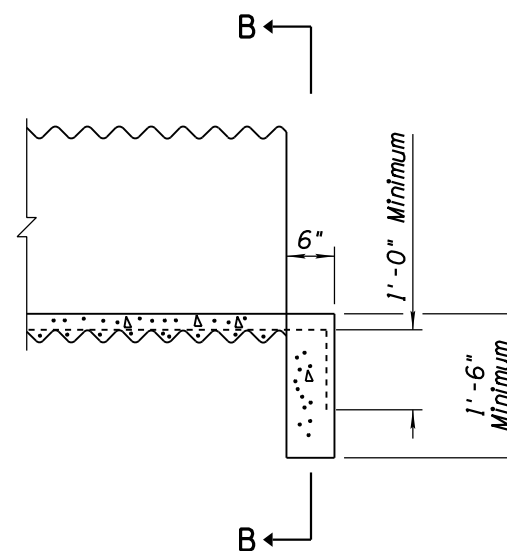
**GENERAL NOTES**

1. For lateral dimensions of Invert paving, use 72° control for CMP and span for CMPA.
2. Paving shall be scored laterally at 1'-6" minimum intervals along the length of the pipe.
3. Use bevel on Inlet headwall only.
4. Wire mesh shall be fastened or welded to corrugation crests at intervals and in a manner approved by the Engineer. Laps shall be 6" minimum.
5. Paving shall not be placed until backfilling is completed.
6. Concrete shall be Class B.

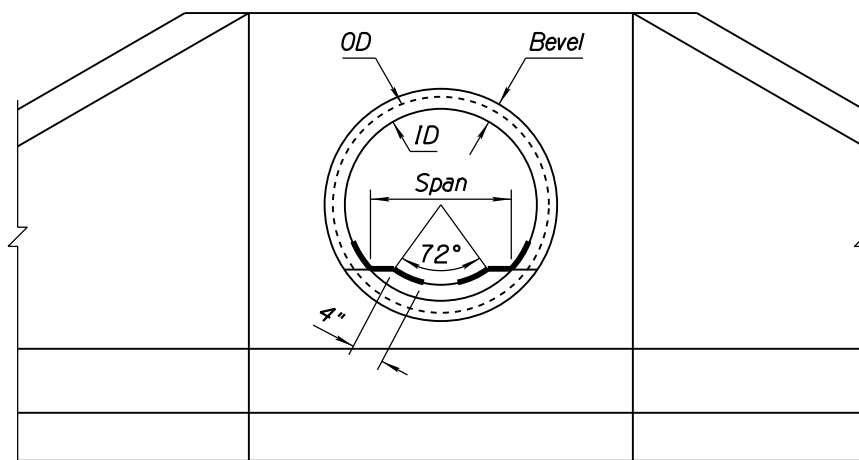
①



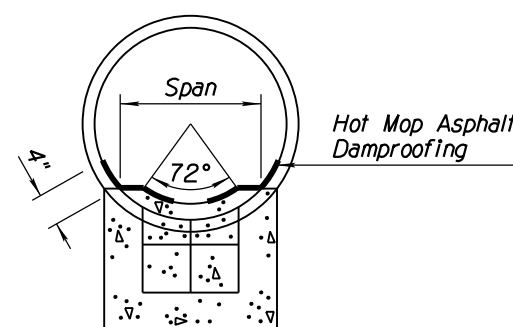
**HEADWALL INSTALLATION**  
(SEE STANDARD DRAWING B-11.12)



**PROJECTING INSTALLATION**



**SECTION A-A**



**SECTION B-B**

APPROVED FOR DESIGN 	STATE OF ARIZONA DEPARTMENT OF TRANSPORTATION ROADWAY STANDARD DRAWINGS	REV. 5/12
APPROVED FOR DISTRIBUTION 	PIPE AND PIPE ARCH CORRUGATED METAL CONCRETE INVERT PAVING	DRAWING NO. C-13.30