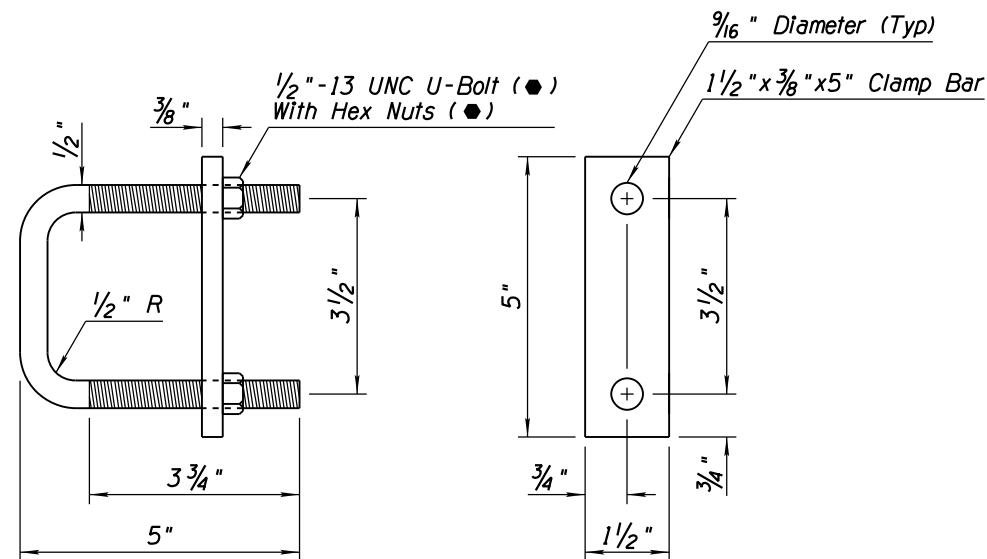
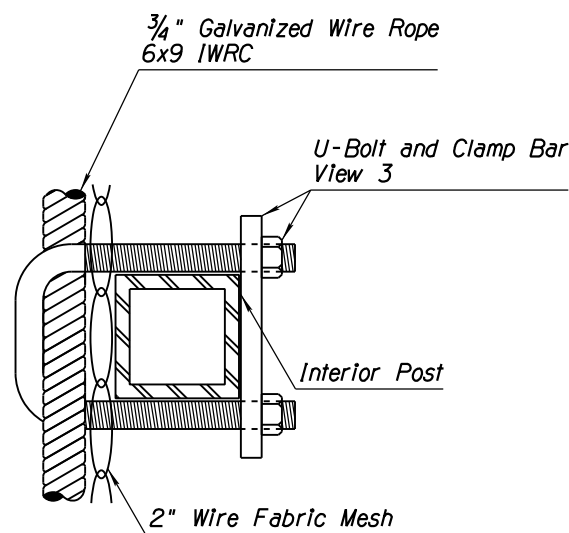


NO	DESCRIPTION OF REVISIONS	MADE BY	DATE
1	ADDED DESIGNATION	RLF	9/04
2	REVISED TITLE	RLF	9/04
3			
4			

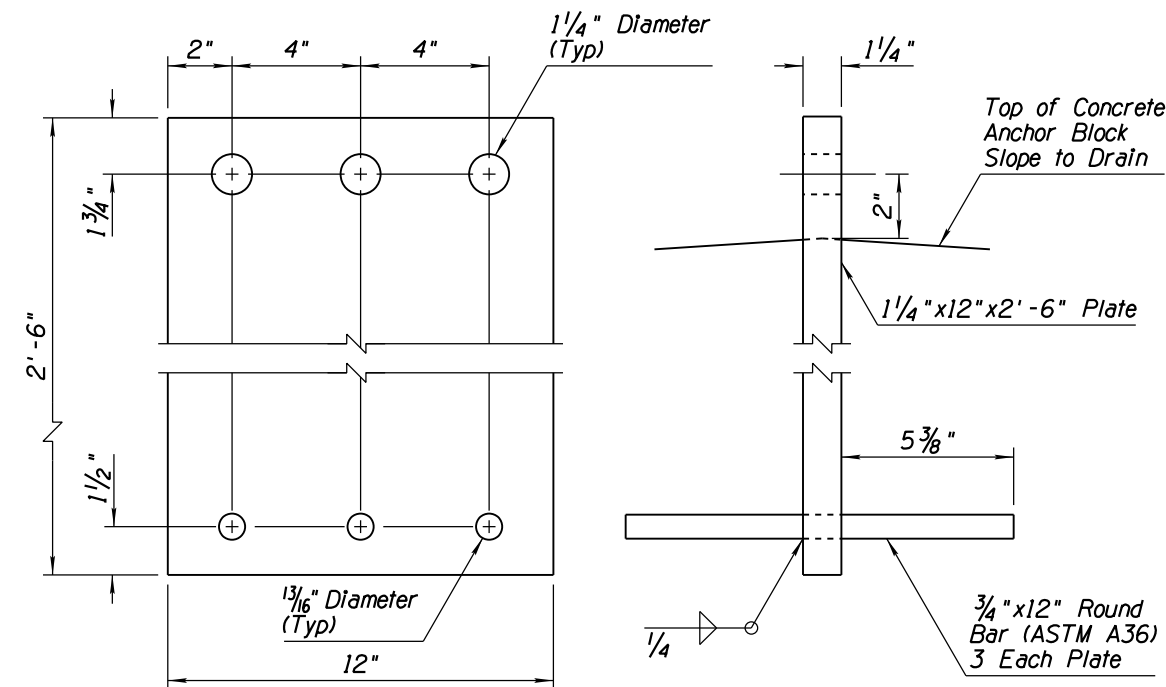
① ● - Indicates AASHTO, AGC & ARTBA Task Force 13 Report designation



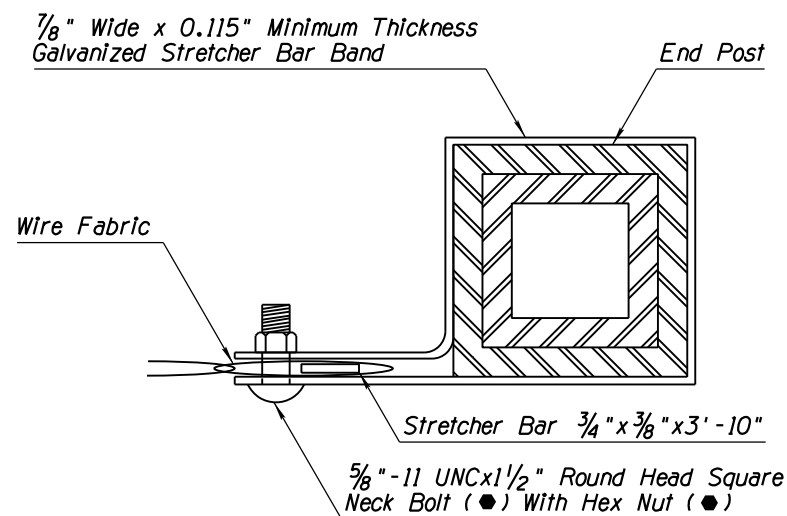
VIEW 3
U-BOLT AND CLAMP BAR



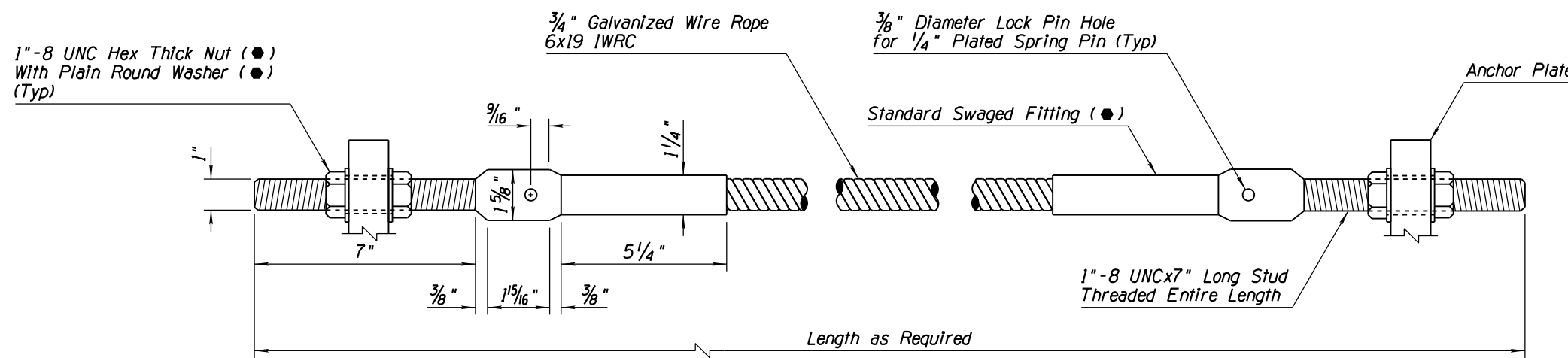
VIEW 4
CABLE CLAMP ASSEMBLY



VIEW 5
ANCHOR PLATE



VIEW 6
STRETCHER BAR BAND ASSEMBLY



VIEW 7
SWAGED CABLE ASSEMBLY

APPROVED FOR DESIGN 	STATE OF ARIZONA DEPARTMENT OF TRANSPORTATION ROADWAY STANDARD DRAWINGS	REV. 5/12
APPROVED FOR DISTRIBUTION 	FENCE CHAIN LINK CABLE BARRIER	DRAWING NO. C-12.30 Sheet 3 of 3