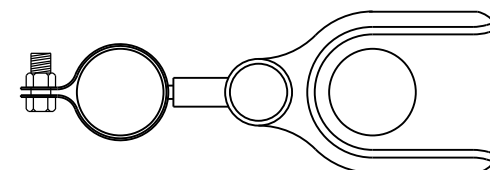
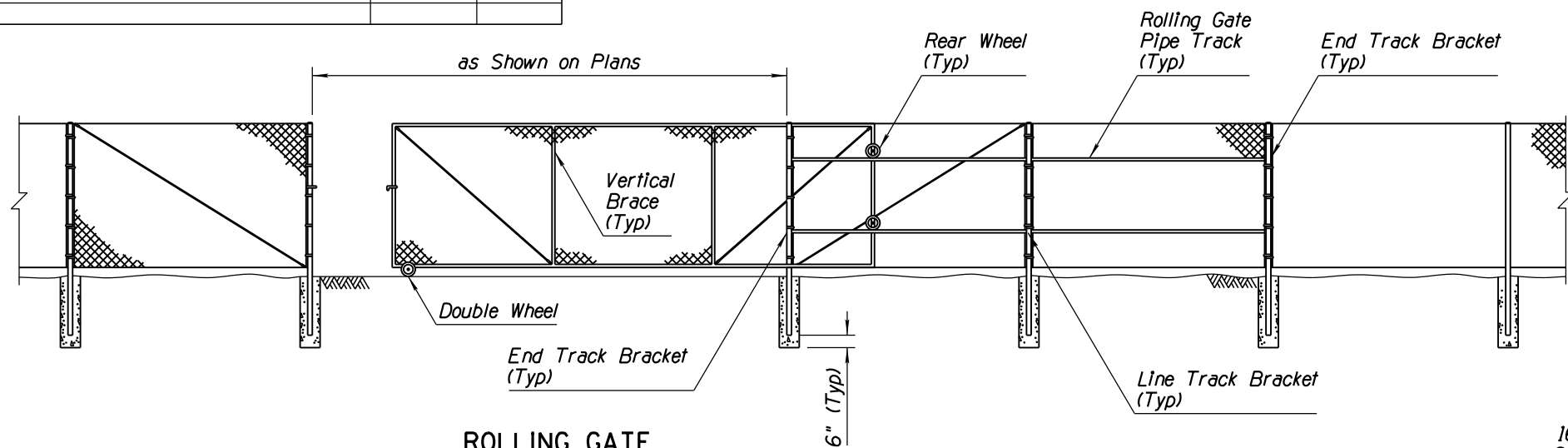
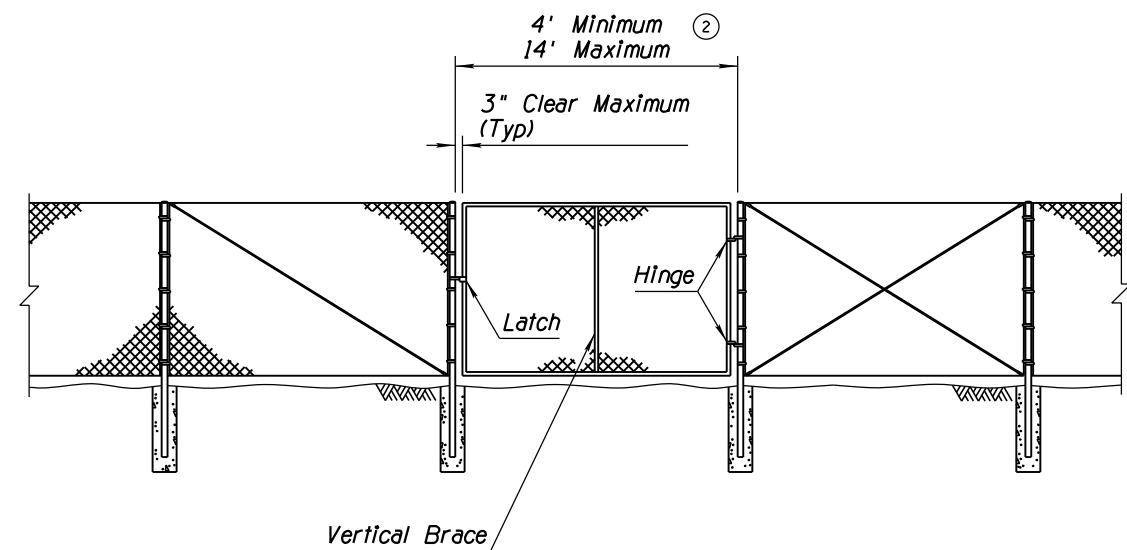


| NO | DESCRIPTION OF REVISIONS                  | MADE BY | DATE  |
|----|---|---------|-------|
| 1  | MODIFIED TABLE MEASUREMENT FORMAT         | RLF     | 9/04  |
| 2  | MODIFIED DIMENSION TEXT                   | RLF     | 10/05 |
| 3  | MOVED FENCE LOCATION VIEW TO SHEET 1 OF 3 | RLF     | 5/12  |
| 4  |   |         |       |

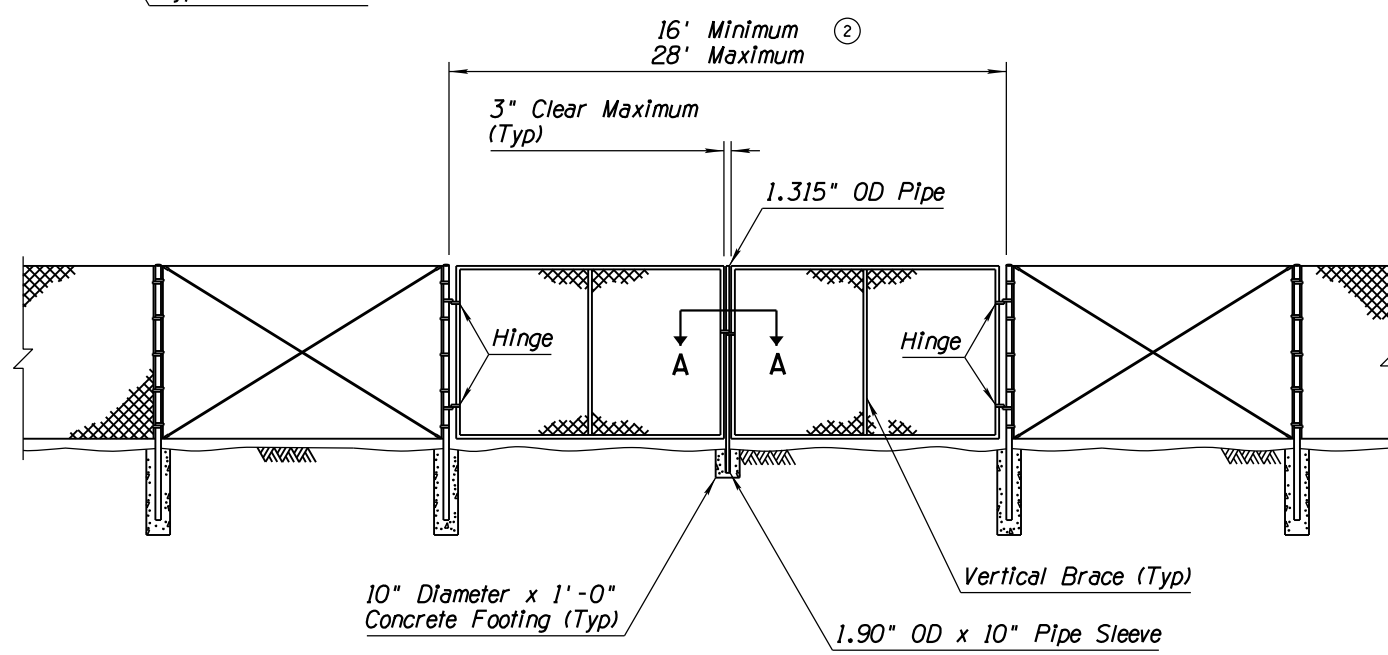


SECTION A-A  
DOUBLE GATE LATCH ASSEMBLY

ROLLING GATE



SINGLE GATE



DOUBLE GATE

TYPICAL GATE DIMENSIONS

| SINGLE AND DOUBLE SWING GATES |                 |                |                 |                 | ROLLING GATES  |                 |  |                               |                |
|-------------------------------|-----------------|----------------|-----------------|-----------------|----------------|-----------------|--|-------------------------------|----------------|
| Gate Width (Ft)               | Vertical Braces | Gate Post Size | Gate Width (Ft) | Vertical Braces | Gate Post Size | Gate Width (Ft) | Number of Equally Spaced Vertical Braces | Tension Rods Per Braced Panel | Gate Post Size |
| 6' Ht or Less                 |                 | OD (In)        | Over 6' Ht      |                 | OD (In)        |                 |  |                               | OD (In)        |
| 3 to 8                        | 0               | 2.875          | 3 to 8          | 0               | 2.875          | 6 to 13         | 1  | 0                             | 2.875          |
| 8 to 16                       | 1               | 4.000          | 8 to 16         | 1               | 4.000          | 13 to 16        | 1  | 1                             | 2.875          |
| 16 to 18                      | 2               | 4.000          |                 |                 |                | 16 to 21        | 2  | 1                             | 2.875          |
|                               |                 |                |                 |                 |                | 21 to 27        | 2  | 1                             | 2.875          |
|                               |                 |                |                 |                 |                | 28 and Larger   | 3  | 1                             | 2.875          |

GATES FOR CHAIN LINK FENCE - TYPE 1 SHOWN  
(Type 2, With Barbed Wire Typical)

|                               |   |  |
|-------------------------------|---|--|
| APPROVED FOR DESIGN<br>       | STATE OF ARIZONA<br>DEPARTMENT OF TRANSPORTATION<br>ROADWAY STANDARD DRAWINGS | REV.<br>5/12                           |
| APPROVED FOR DISTRIBUTION<br> | FENCE<br>CHAIN LINK<br>GATES  | DRAWING NO.<br>C-12.20<br>Sheet 3 of 3 |