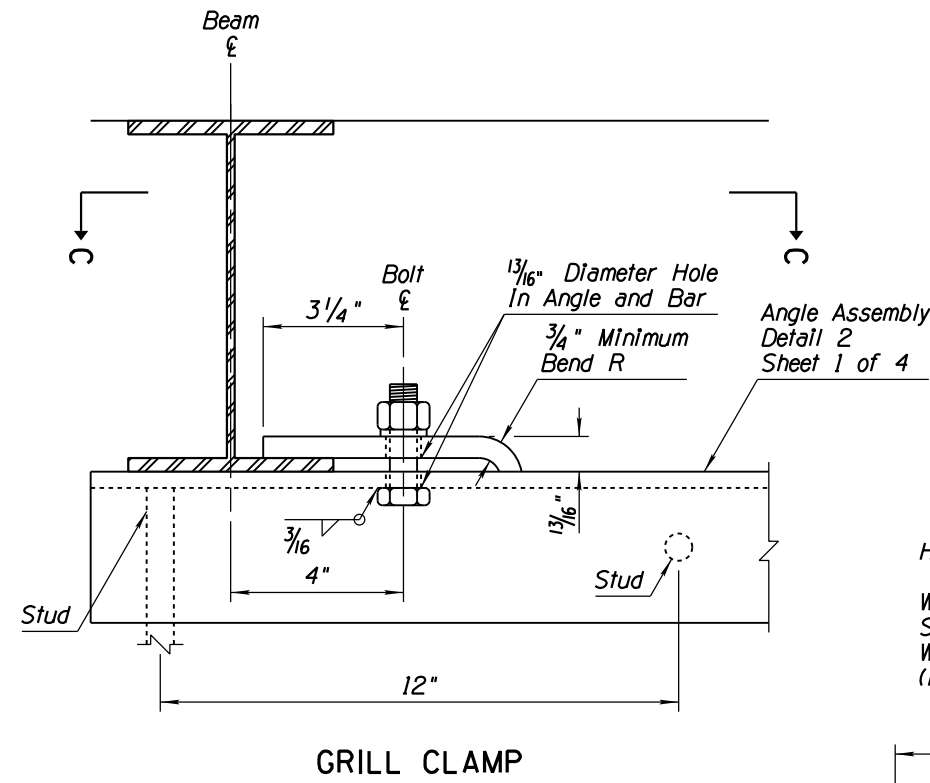
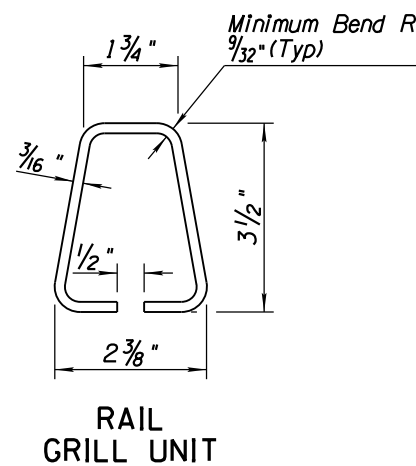
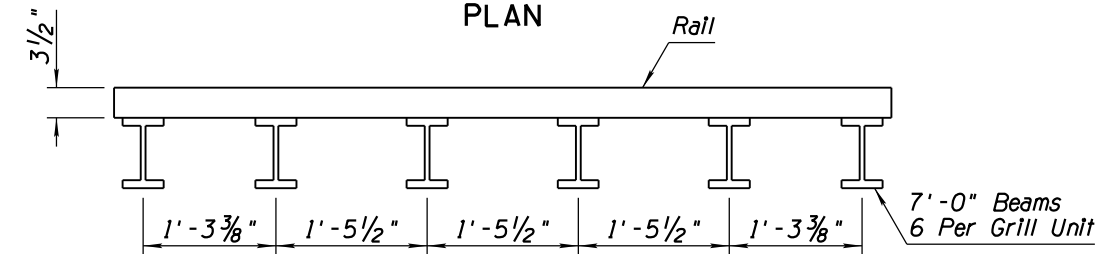
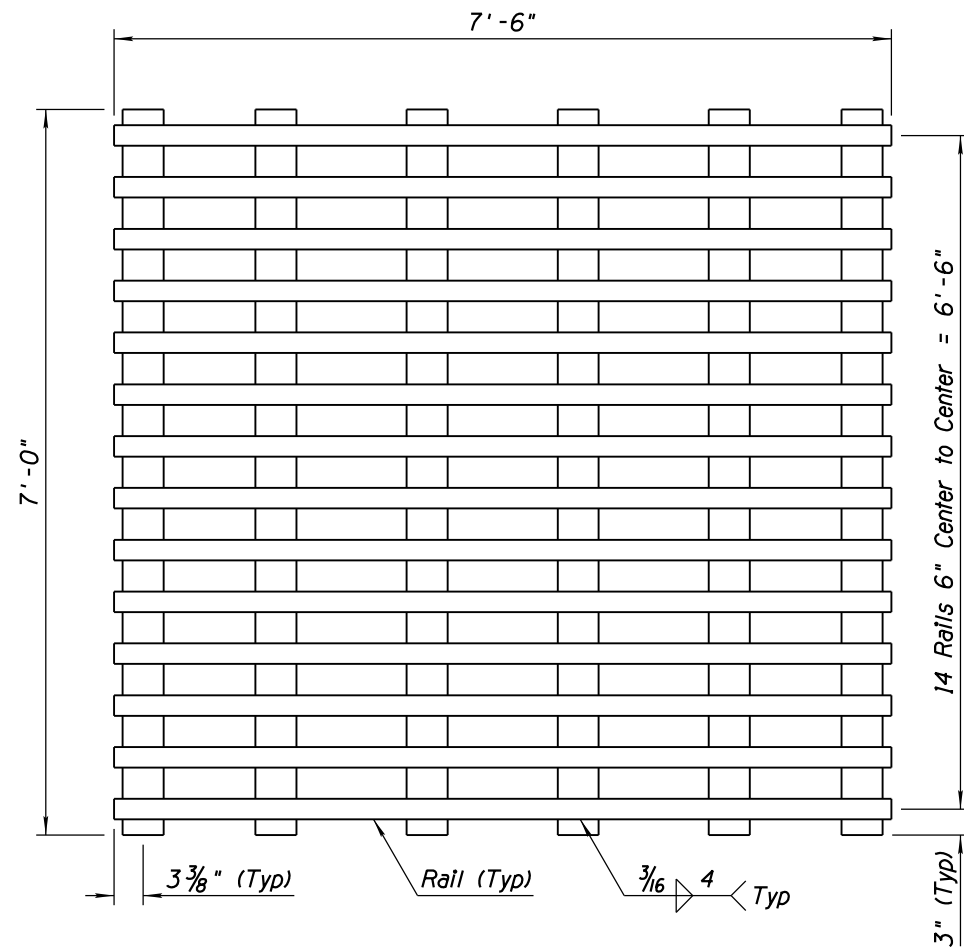


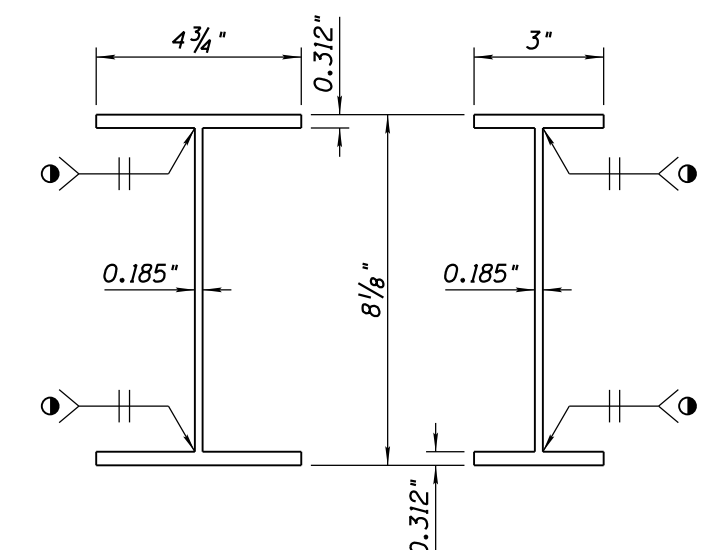
NO	DESCRIPTION OF REVISIONS	MADE BY	DATE
1	REISSUED STD DWG	RLF	4/06
2			
3			
4			

● - Indicates AASHTO, AGC & ARTBA Task Force 13 designation

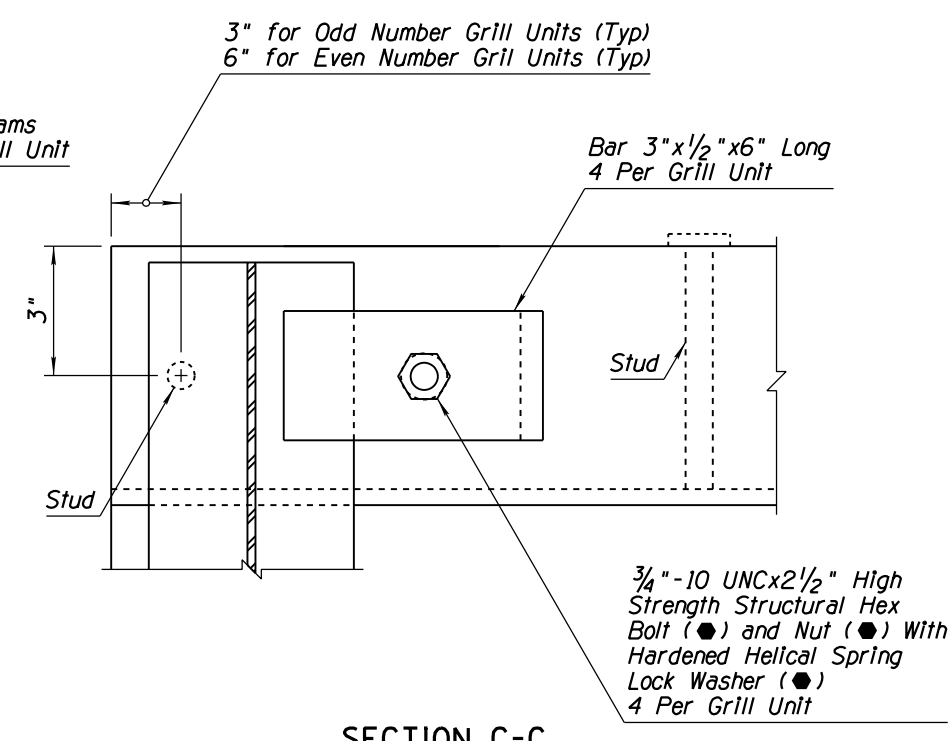


HS-20 Loading  
W 8x18  
S 8x18.4  
Welded Beam  
(Fy=42 ksi)

HS-10 Loading  
W 8x15  
Welded Beam  
(Fy=42 ksi)



● F.P. flow thru high frequency electrical resistance weld



APPROVED FOR DESIGN 	STATE OF ARIZONA DEPARTMENT OF TRANSPORTATION ROADWAY STANDARD DRAWINGS	REV. 5/12
APPROVED FOR DISTRIBUTION 	ROADWAY CATTLE GUARD	DRAWING NO. C-11.10 Sheet 2 of 4