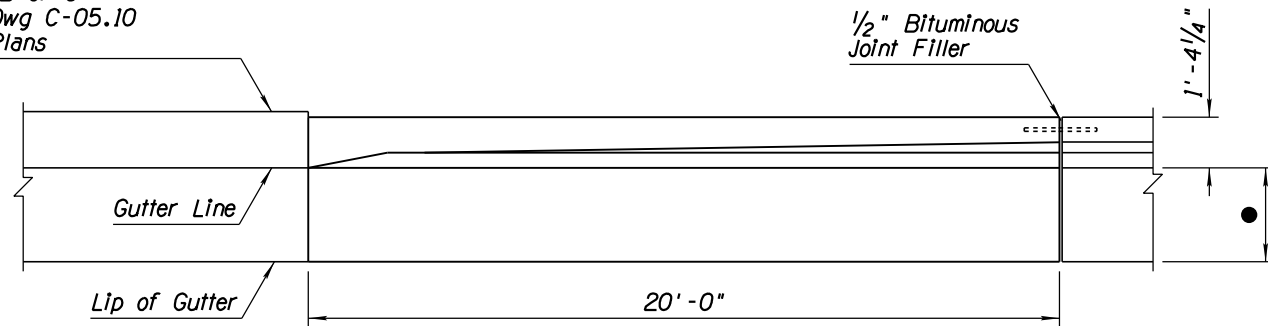
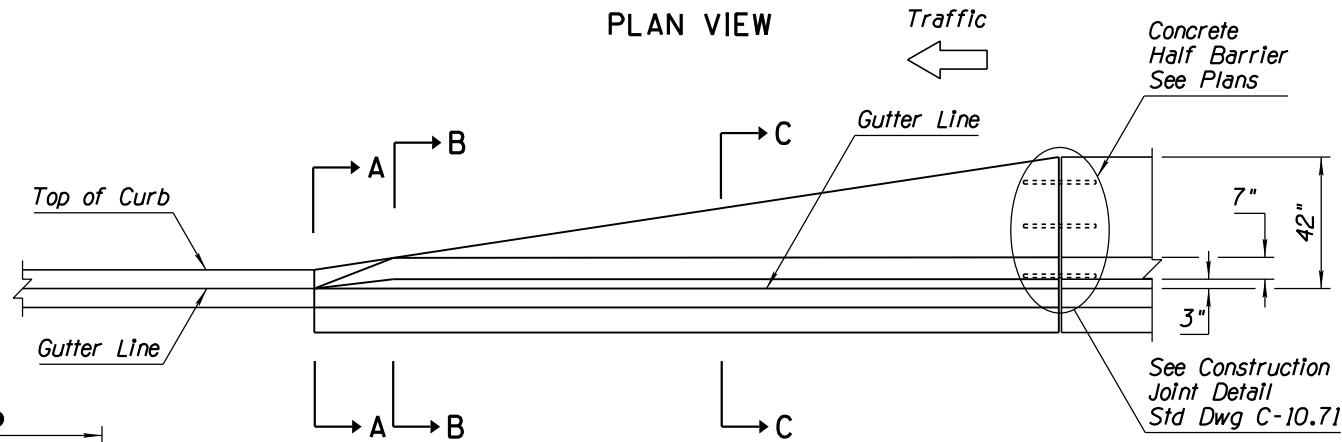


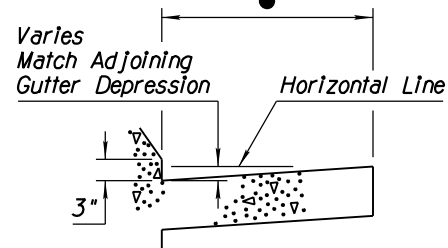
Concrete Curb and Gutter
Type B or C
Std Dwg C-05.10
See Plans



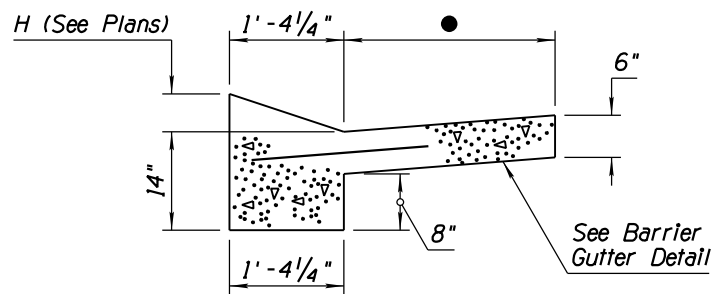
PLAN VIEW



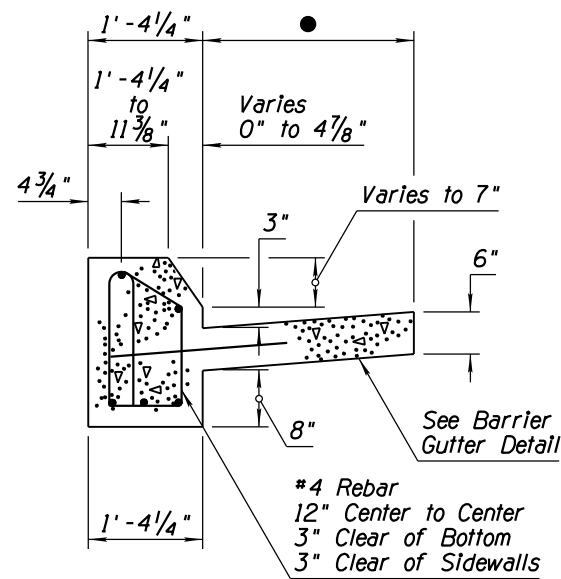
ELEVATION



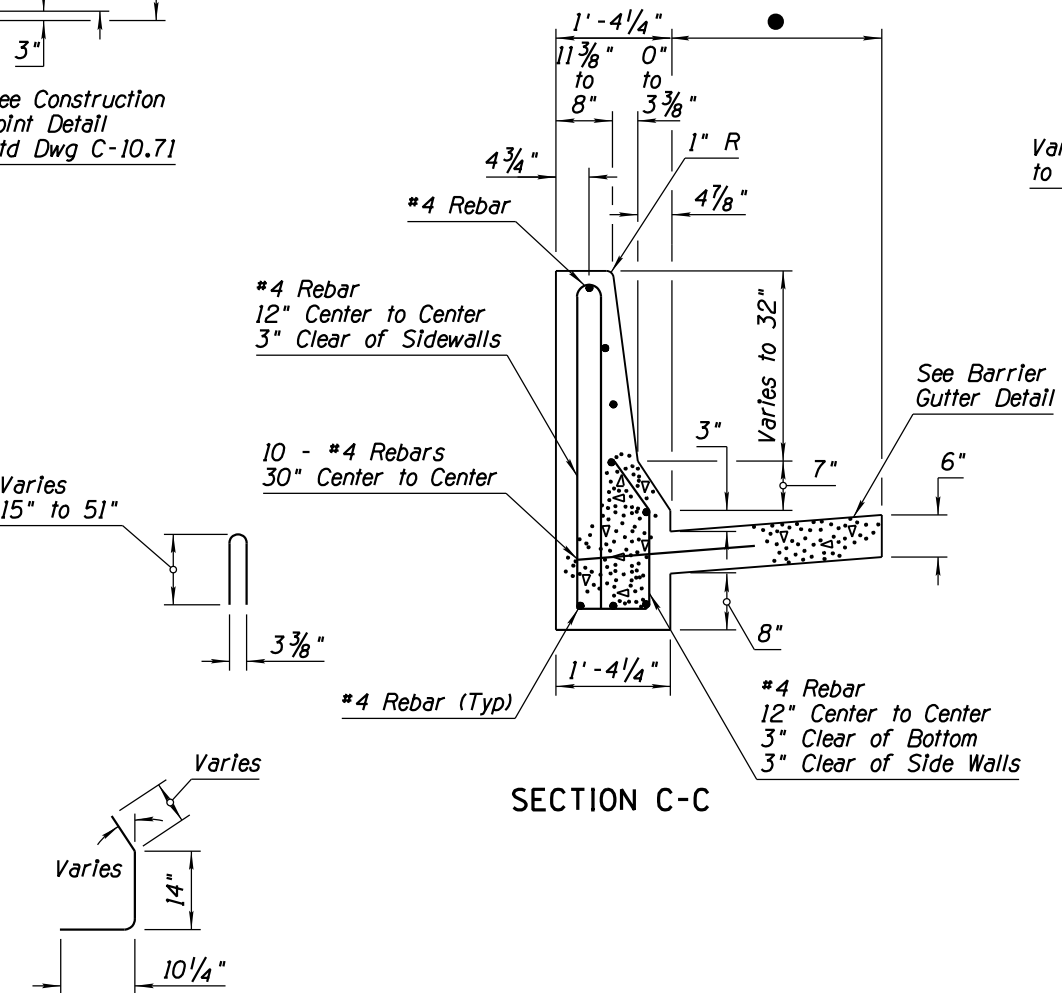
BARRIER GUTTER DETAIL



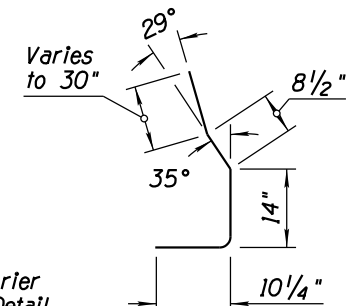
SECTION A-A



SECTION B-B



SECTION C-C



GENERAL NOTES

- Barrier concrete shall be Class S, f'c=4500 PSI.
 - Rebar shall be Grade 60.
 - All rebar shall have 2" minimum clear cover unless otherwise noted.
 - See drainage sheets for slotted drain and catch basin details.
 - Barrier transition shall match both adjoining curb and gutter and concrete half barrier.
 - See Std Dwg C-05.20 for sidewalk construction.
 - All bend dimensions for rebar shall be out-to-out of bars.
 - Two-inch deep contraction joints shall be placed in the gutter at locations which match the joints in adjacent PCCP and at approximate 15-foot centers when adjacent to AC pavement. Joints shall be either hand tooled or sawn.
- Varies - 2'-6", 4'-6" or width as shown on plans.

Note to Designer: The information presented in this Standard Drawing has been prepared in accordance with recognized engineering principles and is for general use. It should not be used for specific application without competent professional examination and verification of its suitability and applicability by a licensed professional engineer. Contents within the inner border line shall not be altered.

PRIOR DISTRIBUTION DATE

STANDARDS ENGINEER J. C. COOPER	ARIZONA DEPARTMENT OF TRANSPORTATION INFRASTRUCTURE DELIVERY AND OPERATIONS DIVISION ROADWAY GROUP STANDARD DRAWING	
RECOMMENDED FOR APPROVAL GROUP MANAGER D. R. HENRY	DRAWING NO. CONCRETE HALF BARRIER TRANSITION, 42" TYPE 'F' TANGENT DEPARTURE C-10.79	
APPROVED STANDARDS COMMITTEE APPROVED FOR DISTRIBUTION	DATE 12/17	