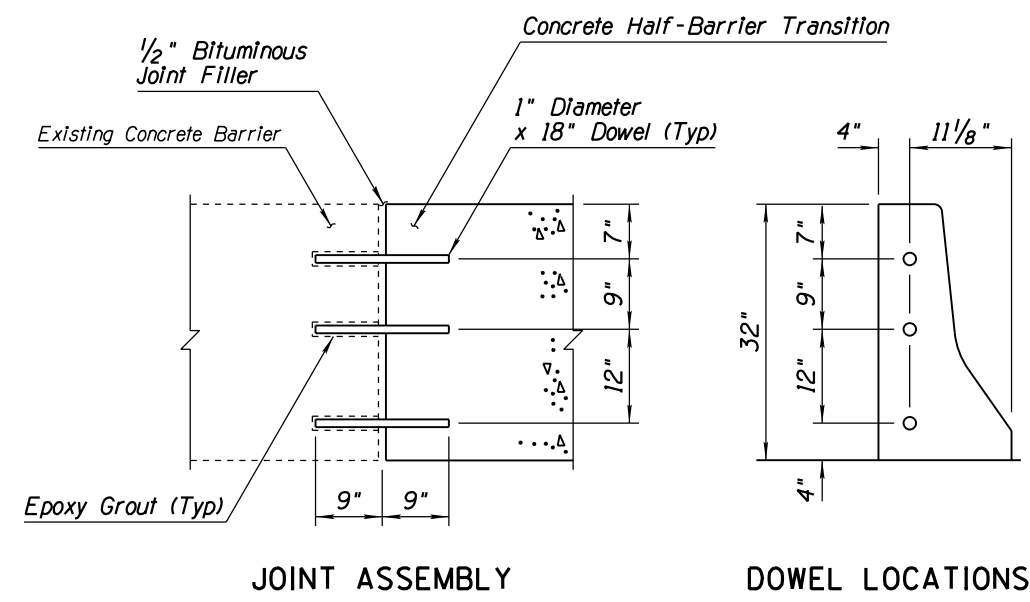
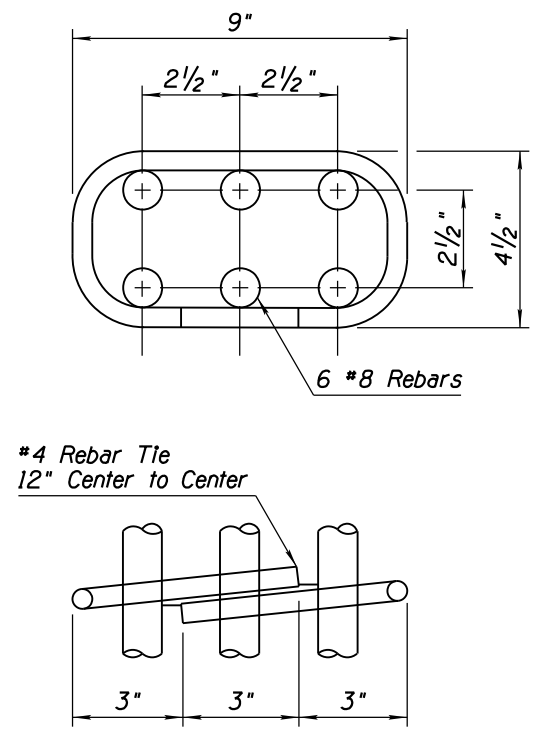


Note to Designer: The information presented in this Standard Drawing has been prepared in accordance with recognized engineering principles and is for general use. It should not be used for specific application without competent professional examination and verification of its suitability and applicability by a licensed professional engineer. Contents within the inner border line shall not be altered.

PRIOR DISTRIBUTION DATE 05/12



CONSTRUCTION JOINT DETAIL (OPTIONAL)



STANDARDS ENGINEER J. C. COOPER	ARIZONA DEPARTMENT OF TRANSPORTATION INFRASTRUCTURE DELIVERY AND OPERATIONS DIVISION ROADWAY GROUP STANDARD DRAWING	
RECOMMENDED FOR APPROVAL GROUP MANAGER D. R. HENRY	CONCRETE HALF BARRIER TRANSITION TO VERTICAL 32" TYPE 'F' WITH CAISSONS	DRAWING NO. C-10.70
APPROVED STANDARDS COMMITTEE APPROVED FOR DISTRIBUTION		DATE 12/17
		Sheet 3 of 3