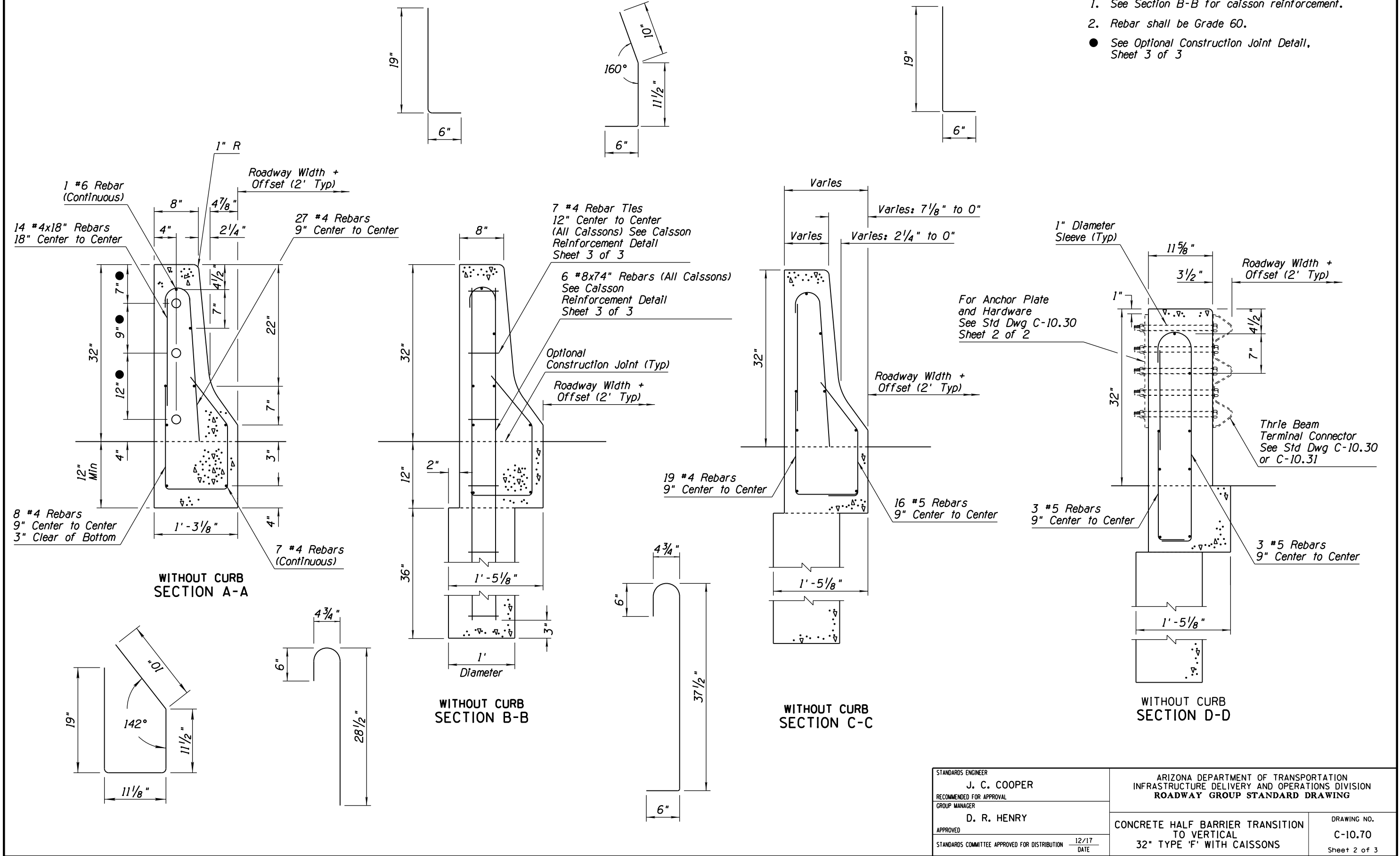


**GENERAL NOTES**

1. See Section B-B for caisson reinforcement.
2. Rebar shall be Grade 60.
- See Optional Construction Joint Detail, Sheet 3 of 3

Note to Designer: The information presented in this Standard Drawing has been prepared in accordance with recognized engineering principles and is for general use. It should not be used for specific application without competent professional examination and verification of its suitability and applicability by a licensed professional engineer. Content's within the inner border line shall not be altered.

PRIOR DISTRIBUTION DATE 05/12



STANDARDS ENGINEER <b>J. C. COOPER</b>	ARIZONA DEPARTMENT OF TRANSPORTATION INFRASTRUCTURE DELIVERY AND OPERATIONS DIVISION <b>ROADWAY GROUP STANDARD DRAWING</b>	
RECOMMENDED FOR APPROVAL GROUP MANAGER <b>D. R. HENRY</b>	CONCRETE HALF BARRIER TRANSITION TO VERTICAL 32" TYPE 'F' WITH CAISSONS	DRAWING NO. <b>C-10.70</b>
APPROVED STANDARDS COMMITTEE APPROVED FOR DISTRIBUTION		DATE 12/17
		Sheet 2 of 3