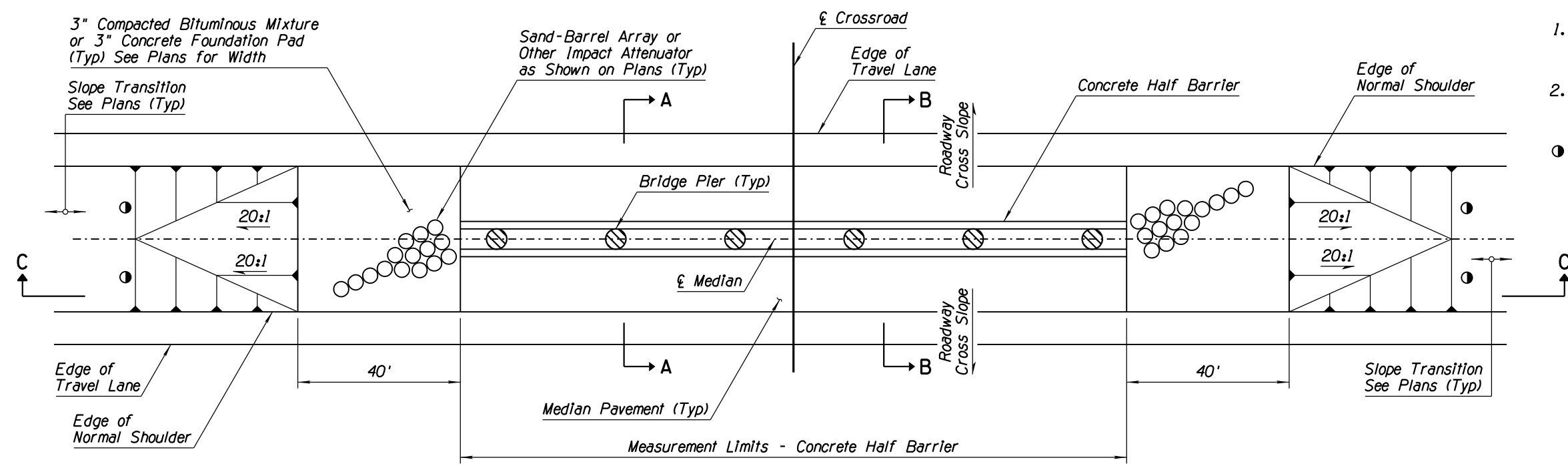
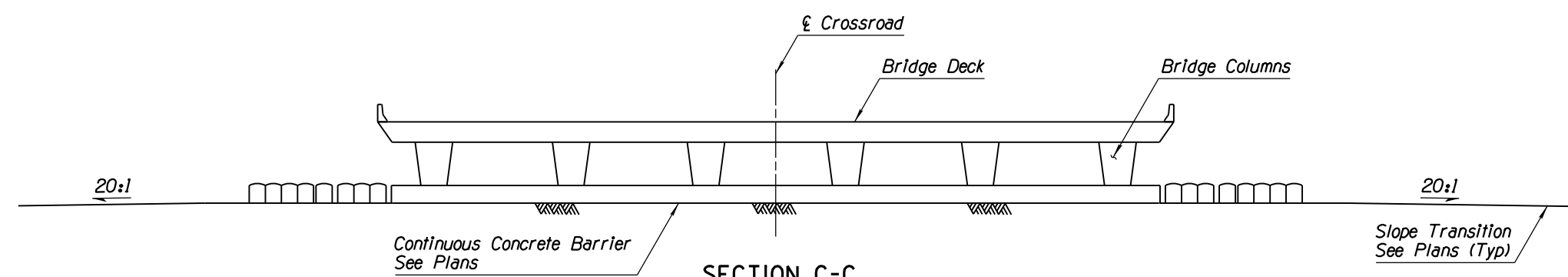


GENERAL NOTES

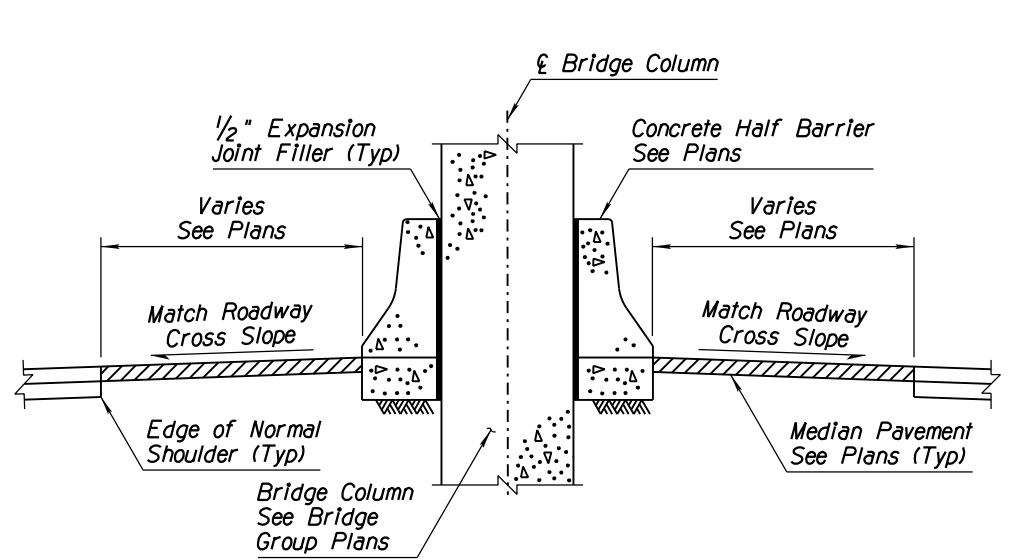
1. Transition median paving cross slope to meet level foundation pad. See plans for length and location.
 2. Compacted backfill and Class B concrete shall be placed between bridge columns or piers only.
- Slope as shown on Plans



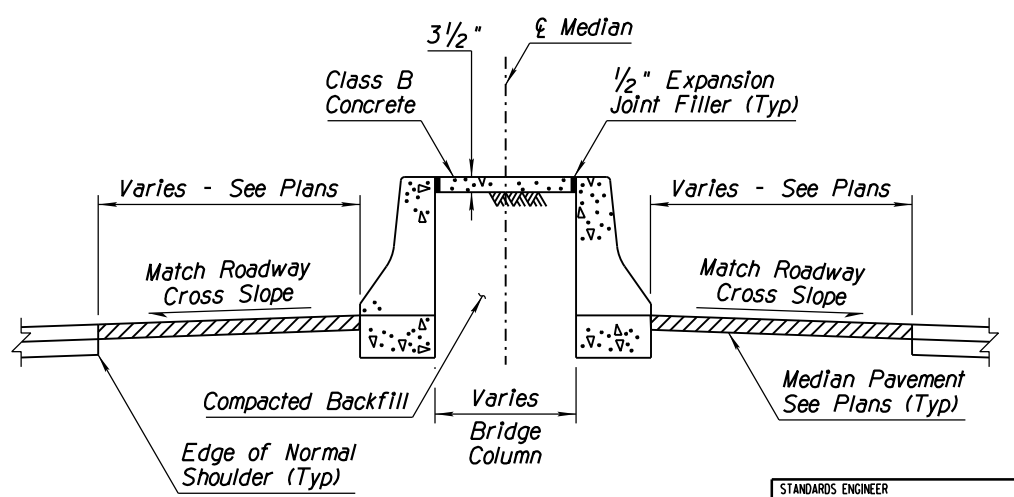
PLAN



SECTION C-C



SECTION A-A



SECTION B-B

Note to Designer: The information presented in this Standard Drawing has been prepared in accordance with recognized engineering principles and is for general use. It should not be used for specific application without competent professional examination and verification of its suitability and applicability by a licensed professional engineer. Content's within the inner border line shall not be altered.

PRIOR DISTRIBUTION DATE 05/12

STANDARDS ENGINEER J. C. COOPER	ARIZONA DEPARTMENT OF TRANSPORTATION INFRASTRUCTURE DELIVERY AND OPERATIONS DIVISION ROADWAY GROUP STANDARD DRAWING
RECOMMENDED FOR APPROVAL GROUP MANAGER D. R. HENRY	
APPROVED STANDARDS COMMITTEE APPROVED FOR DISTRIBUTION	CONCRETE HALF BARRIER 42" TYPE 'F' AT PIERS LAYOUT
DATE 12/17	DRAWING NO. C-10.55 Sheet 3 of 3