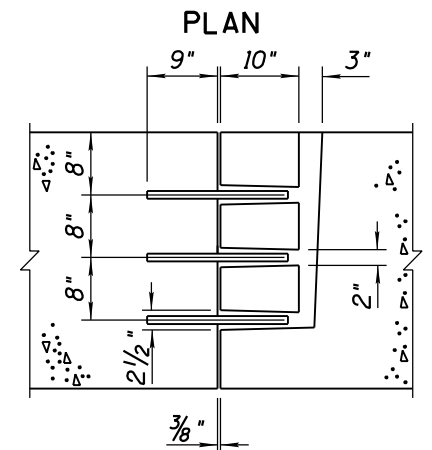
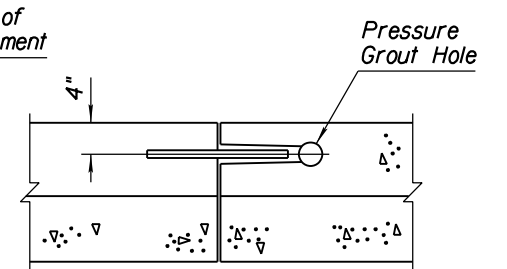
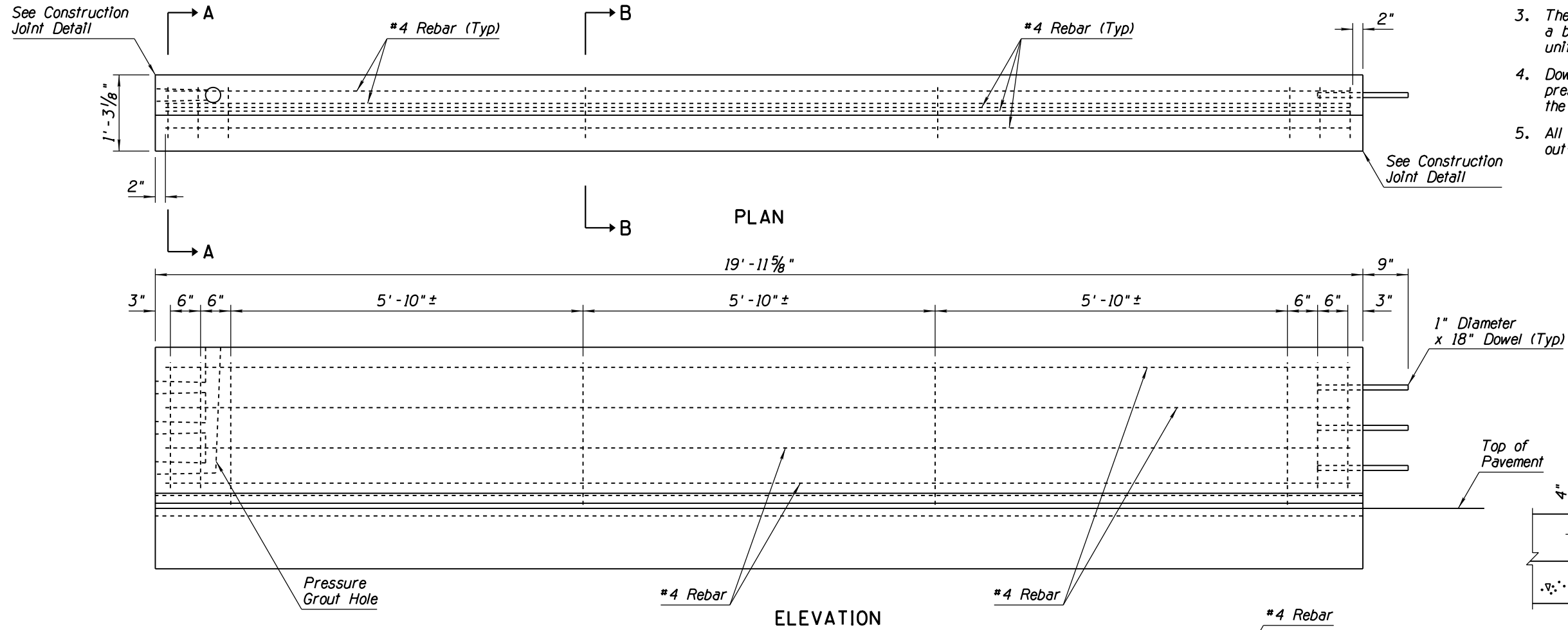
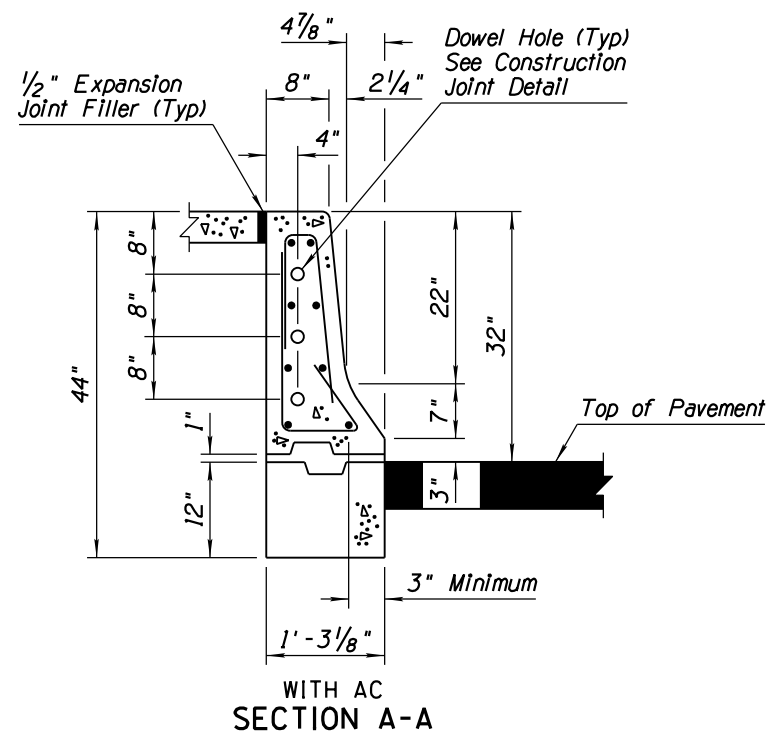


GENERAL NOTES

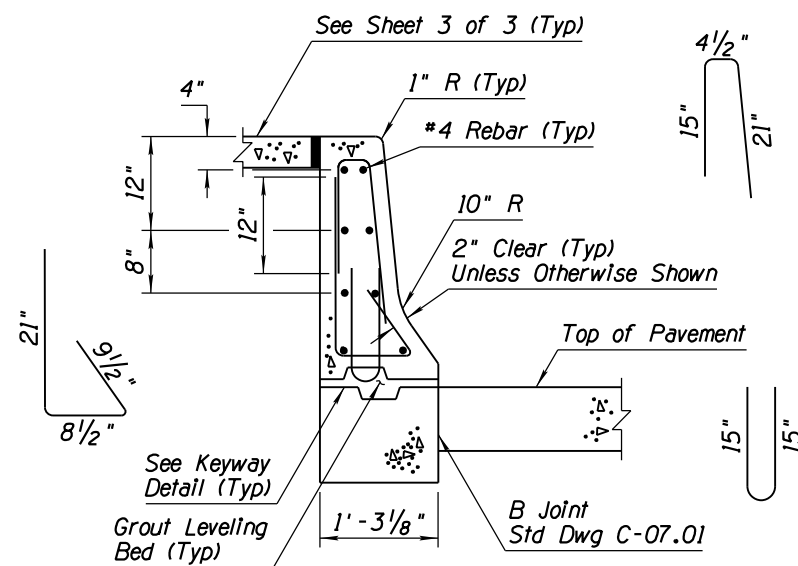
1. Barrier concrete shall be Class S, $f'_c = 4500$ PSI.
2. Rebar shall be Grade 60.
3. The Half Barrier shall be placed upon a bed of grout in order to provide a uniform bearing.
4. Doweled joints shall be grouted under pressure until all of the openings and the joints are filled.
5. All bend dimensions for rebar are out-to-out of rebars.



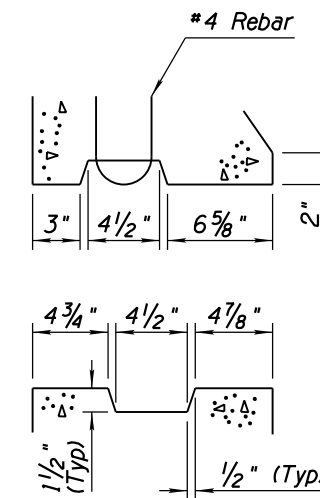
**ELEVATION
CONSTRUCTION JOINT DETAIL**



**WITH AC
SECTION A-A**



**AT REBAR - WITH PCCP
SECTION B-B**



KEYWAY DETAIL

STANDARDS ENGINEER J. C. COOPER	ARIZONA DEPARTMENT OF TRANSPORTATION INFRASTRUCTURE DELIVERY AND OPERATIONS DIVISION ROADWAY GROUP STANDARD DRAWING
RECOMMENDED FOR APPROVAL GROUP MANAGER D. R. HENRY	
APPROVED STANDARDS COMMITTEE APPROVED FOR DISTRIBUTION	CONCRETE HALF BARRIER 32" TYPE 'F' AT PIERS PRECAST
DATE: 12/17	DRAWING NO. C-10.54 Sheet 2 of 3

Note to Designer: The information presented in this Standard Drawing has been prepared in accordance with recognized engineering principles and is for general use. It should not be used for specific application without competent professional examination and verification of its suitability and applicability by a licensed professional engineer. Content's within the inner border line shall not be altered.

PRIOR DISTRIBUTION DATE 05/12