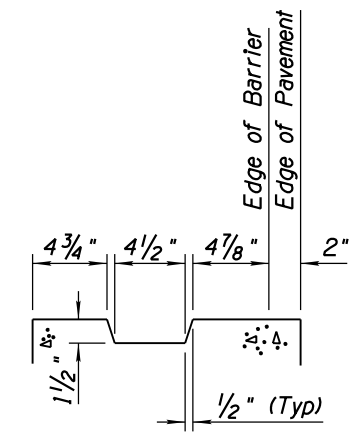
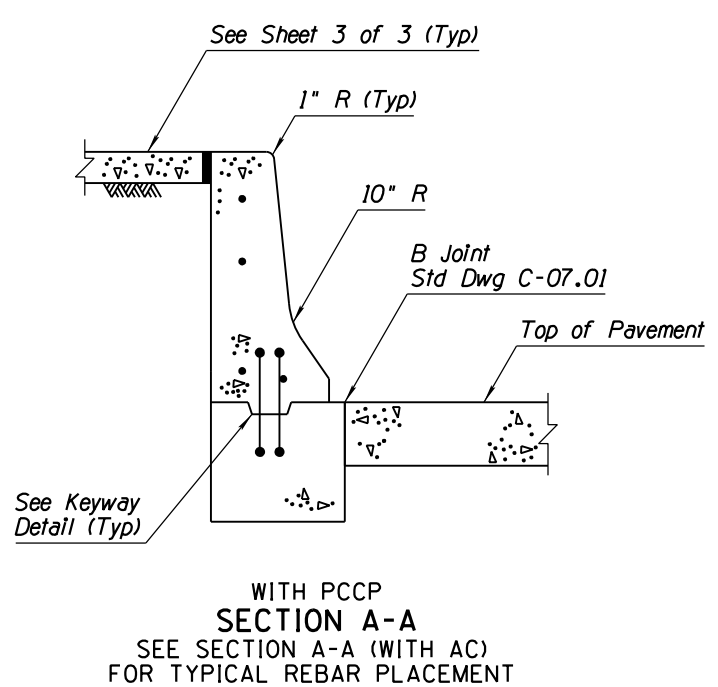
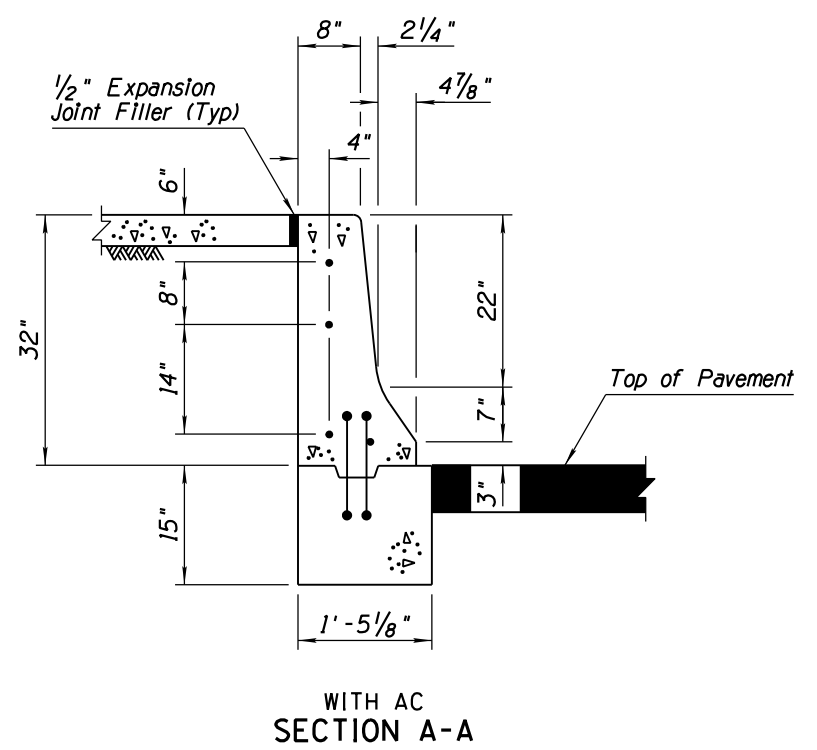
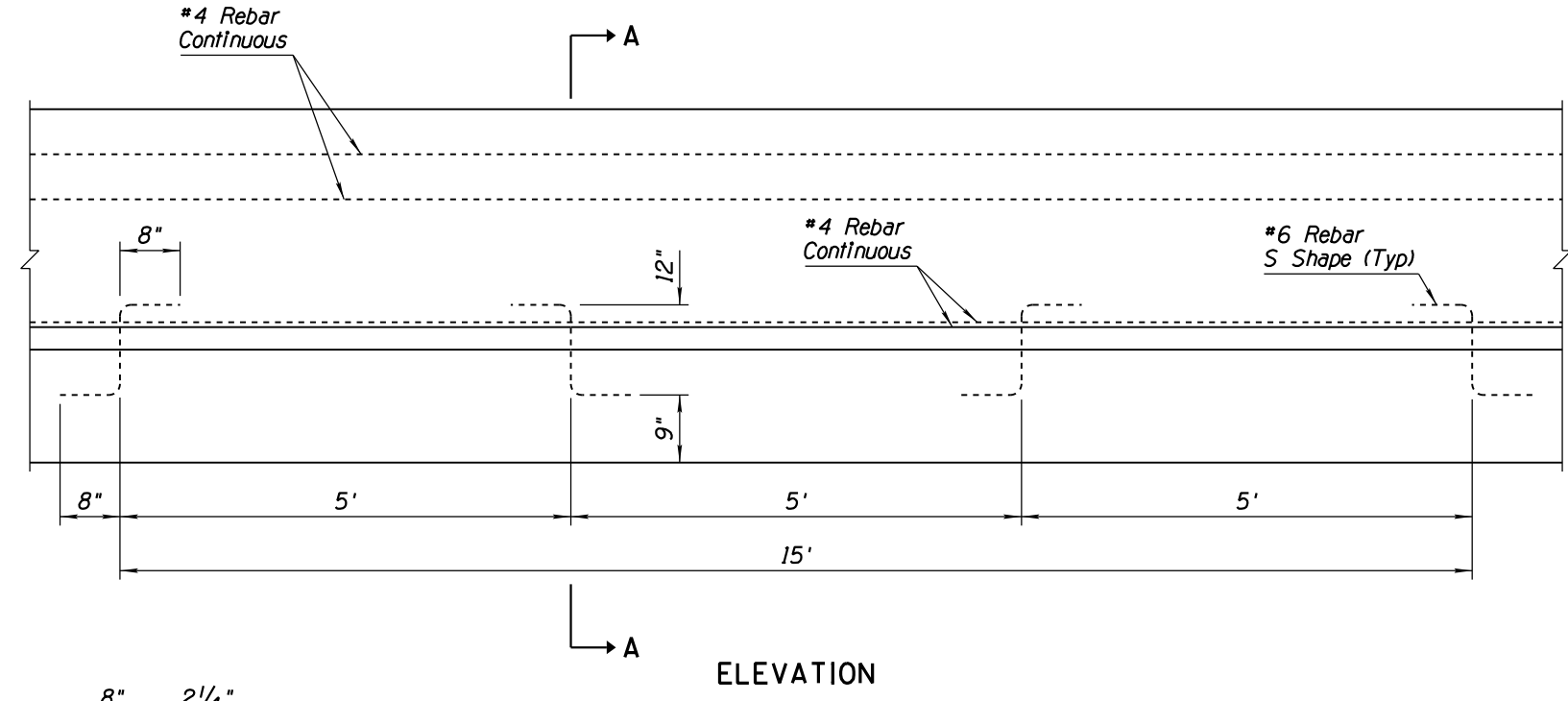
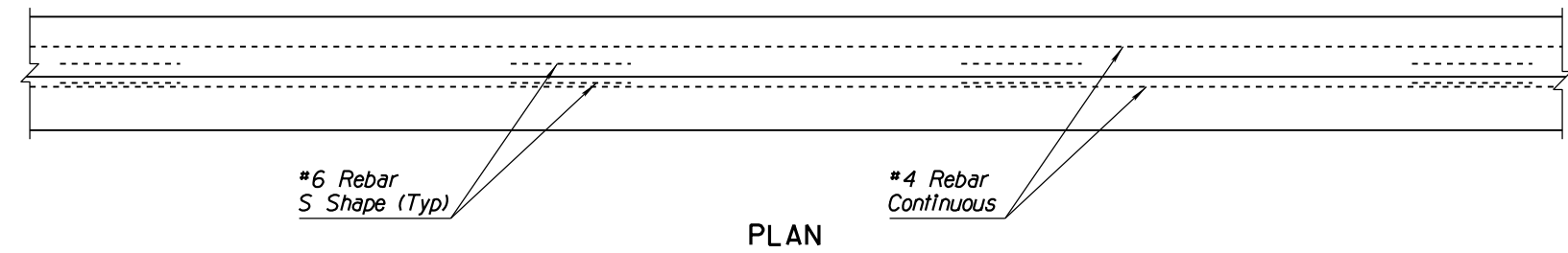


Note to Designer: The information presented in this Standard Drawing has been prepared in accordance with recognized engineering principles and is for general use. It should not be used for specific application without competent professional examination and verification of its suitability and applicability by a licensed professional engineer. Content's within the inner border line shall not be altered.

PRIOR DISTRIBUTION DATE 05/12

GENERAL NOTES

- Barrier concrete shall be Class S, $f'_c=4500$ PSI.
- Rebar shall be Grade 60.
- If the footing and Half Barrier are cast monolithically, #6 S shape rebars are not required.
- Longitudinal rebar shall extend 12" past the construction joint at the completion of each incremental pour.



STANDARDS ENGINEER J. C. COOPER	ARIZONA DEPARTMENT OF TRANSPORTATION INFRASTRUCTURE DELIVERY AND OPERATIONS DIVISION ROADWAY GROUP STANDARD DRAWING	
RECOMMENDED FOR APPROVAL GROUP MANAGER D. R. HENRY	CONCRETE HALF BARRIER 32" TYPE 'F' AT PIERS CAST-IN-PLACE	DRAWING NO. C-10.54
APPROVED STANDARDS COMMITTEE APPROVED FOR DISTRIBUTION		DATE 12/17
		Sheet 1 of 3