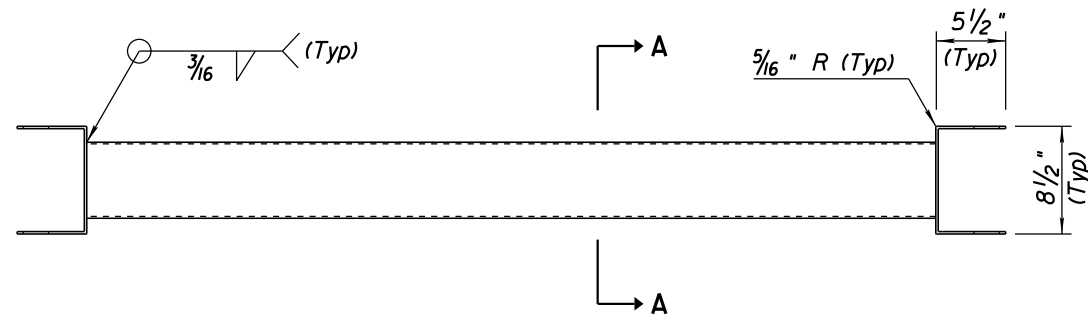


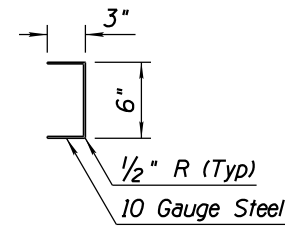
Note to Designer: The information presented in this Standard Drawing has been prepared in accordance with recognized engineering principles and is for general use. It should not be used for specific application without competent professional examination and verification of its suitability and applicability by a licensed professional engineer. Content's within the inner border line shall not be altered.

05/12

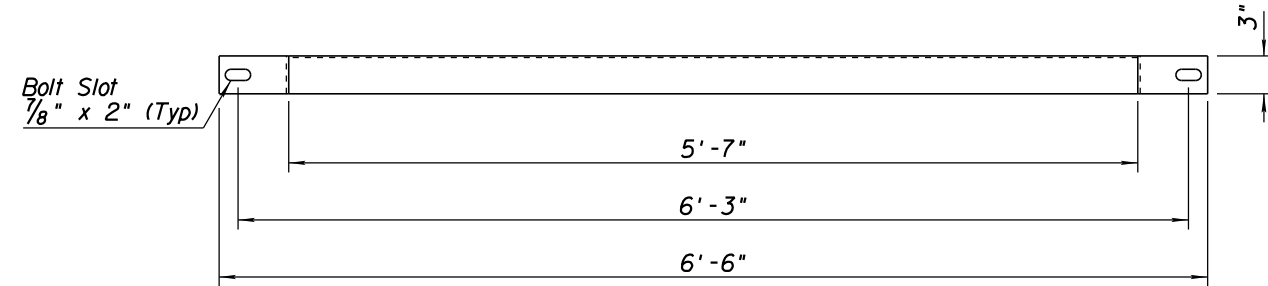
PRIOR DISTRIBUTION DATE



PLAN

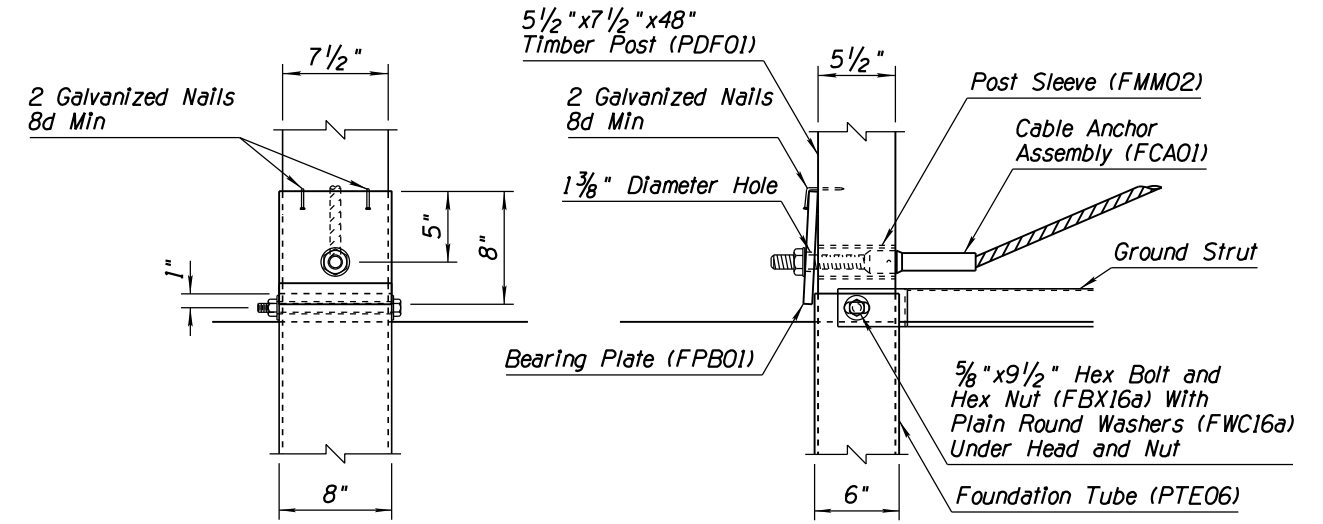


SECTION A-A



ELEVATION

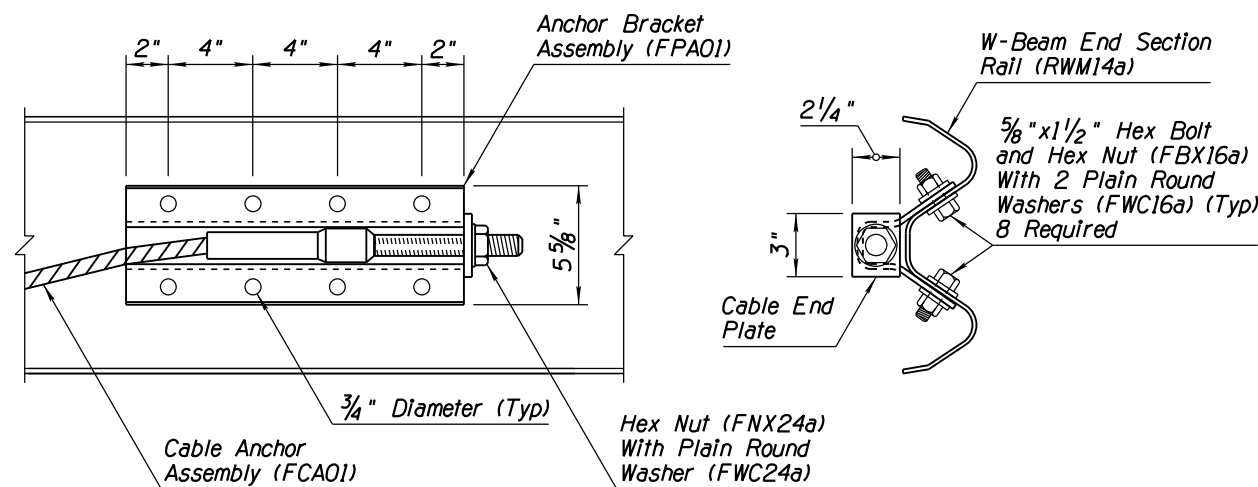
GROUND STRUT DETAIL



SIDE VIEW

FRONT VIEW

BEARING PLATE DETAIL



ELEVATION

SECTION

ANCHOR BRACKET DETAIL

GENERAL NOTES

1. The Cable Anchor Assembly shall be tightened to remove slack.
2. Manufacture components according to the AASHTO-AGC-ARTBA Guide to Standardized Highway Barrier Hardware. Visit the Roadway Engineering web site to view the drawings referenced in parenthesis.

STANDARDS ENGINEER J. C. COOPER	ARIZONA DEPARTMENT OF TRANSPORTATION INFRASTRUCTURE DELIVERY AND OPERATIONS DIVISION ROADWAY GROUP STANDARD DRAWING	
RECOMMENDED FOR APPROVAL GROUP MANAGER D. R. HENRY	W-BEAM GUARDRAIL END ANCHOR	DRAWING NO. C-10.08
APPROVED STANDARDS COMMITTEE APPROVED FOR DISTRIBUTION		DATE 12/17
		Sheet 2 of 2