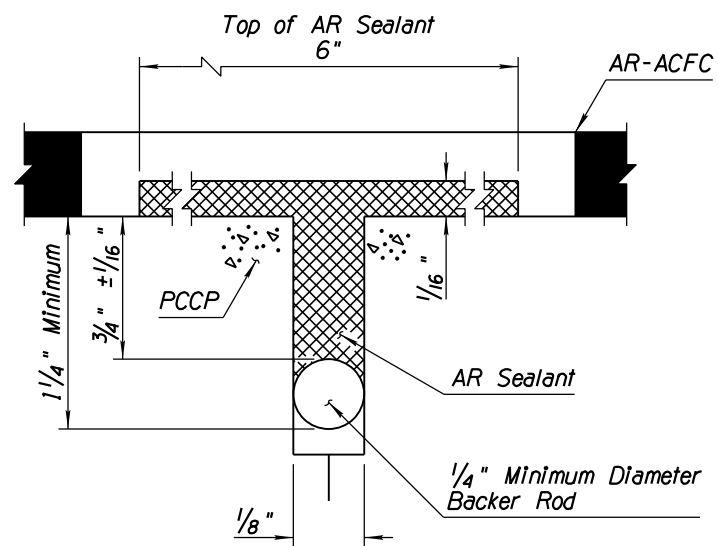
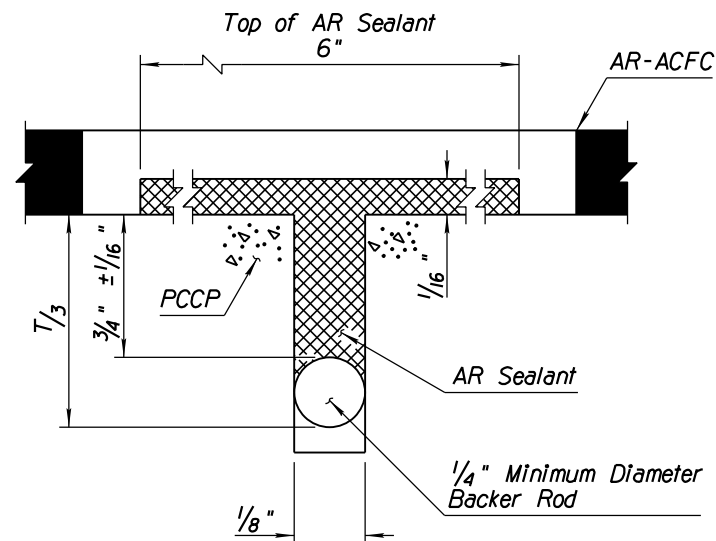


NO.	DESCRIPTION OF REVISIONS	MADE BY	DATE
1	REISSUED STANDARD DRAWING	RLF	7/05
2	REVISED SECTION VIEW AND NOTE	RLF	5/12
3			
4			



LONGITUDINAL CONSTRUCTION JOINT DETAIL (WITH AR-ACFC)



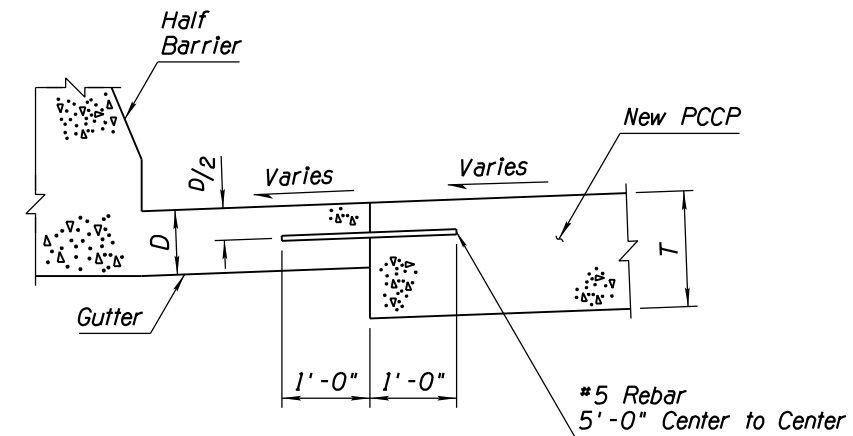
WEAKENED-PLANE JOINT DETAIL (WITH AR-ACFC)

GENERAL NOTES

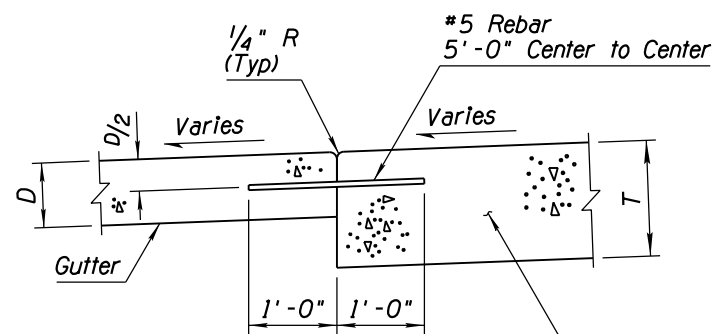
1. Joints are generally shown with pavement sloping toward the joint.

JOINT ABBREVIATIONS

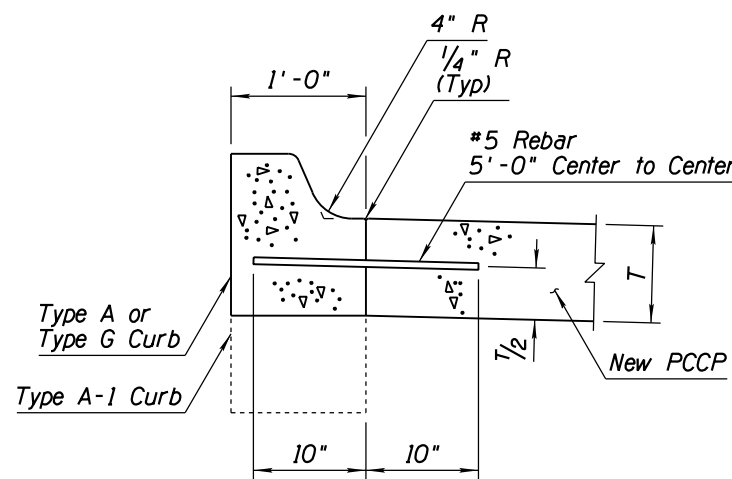
- G - Gutter Joint
- T - PCCP Thickness
- D - Gutter Thickness
- B - Barrier Joint
- ② F - Barrier Footing Concrete Thickness (Full-depth Concrete Shown)



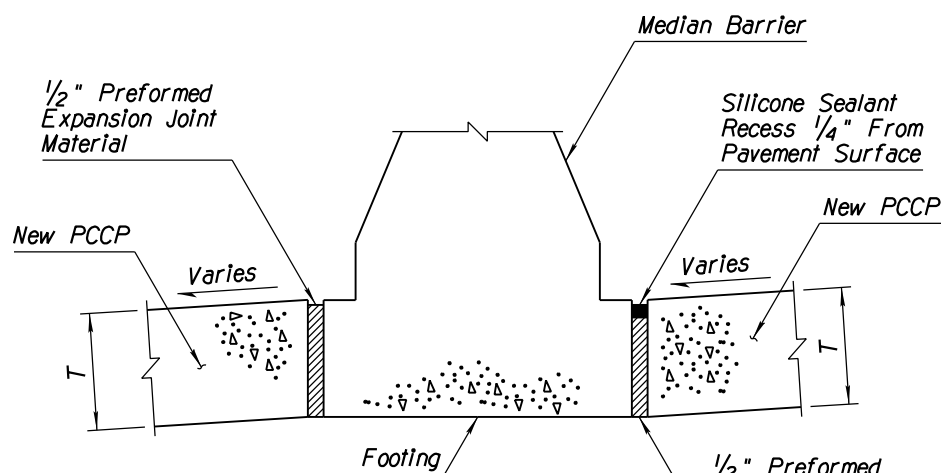
HALF BARRIER JOINT B Joint



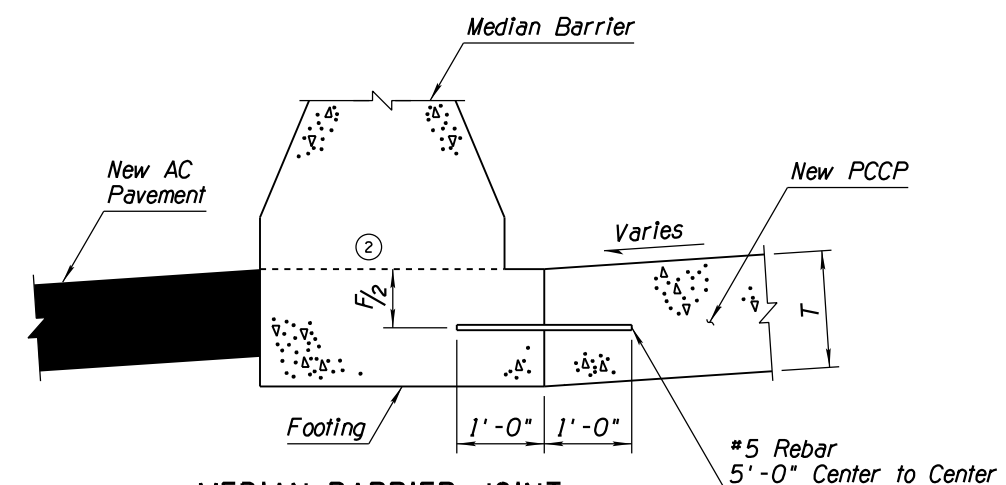
CURB & GUTTER JOINT G Joint



SINGLE CURB JOINT A Joint



MEDIAN BARRIER JOINT B Joint PCCP on Both Sides of Barrier



MEDIAN BARRIER JOINT B Joint AC Pavement on Back Side of Barrier

APPROVED FOR DESIGN 	STATE OF ARIZONA DEPARTMENT OF TRANSPORTATION ROADWAY STANDARD DRAWINGS	REV. 5/12
APPROVED FOR DISTRIBUTION 	PCCP JOINTS	DRAWING NO. C-07.01 Sheet 2 of 2