

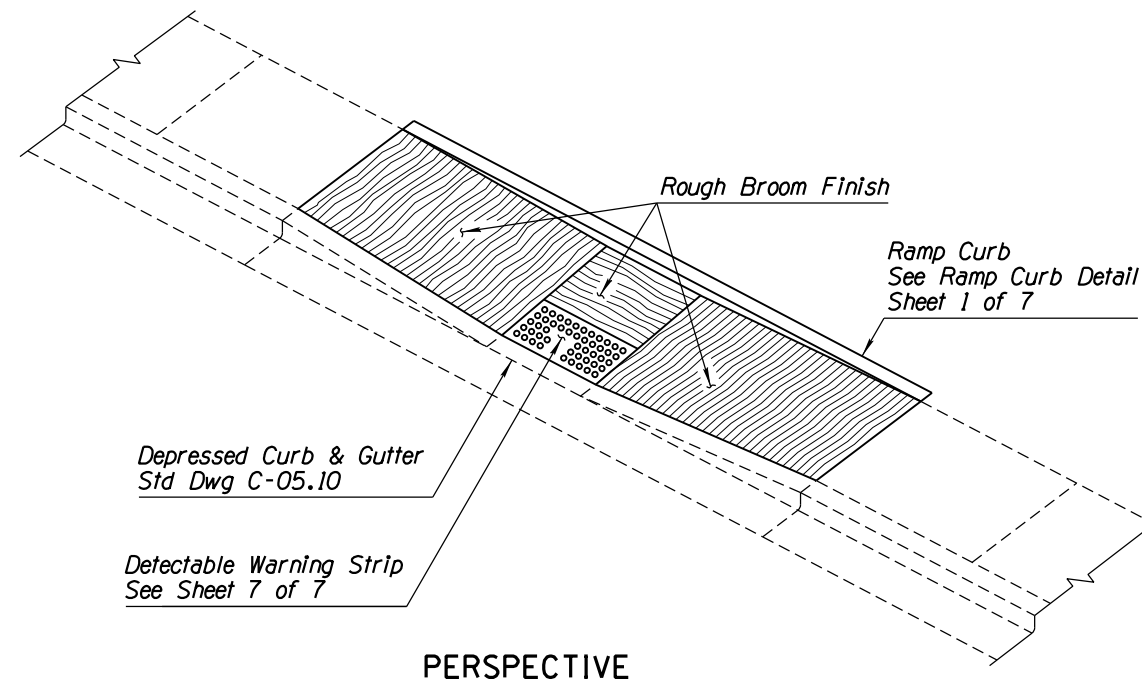
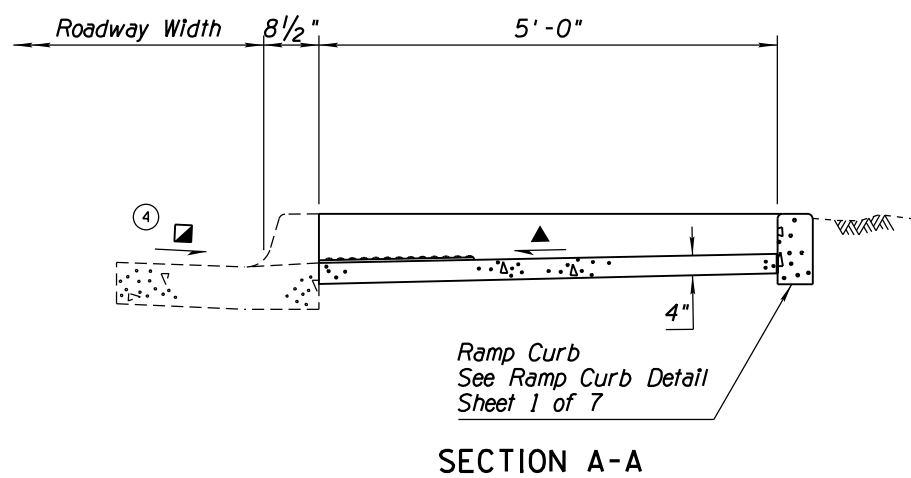
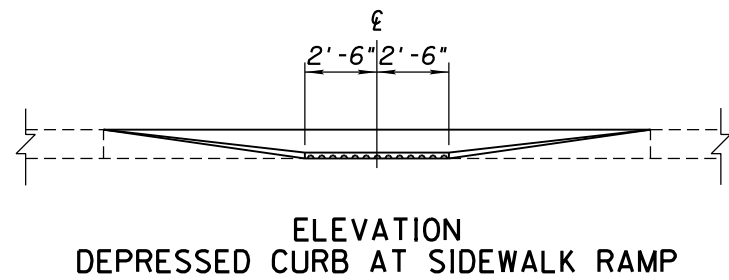
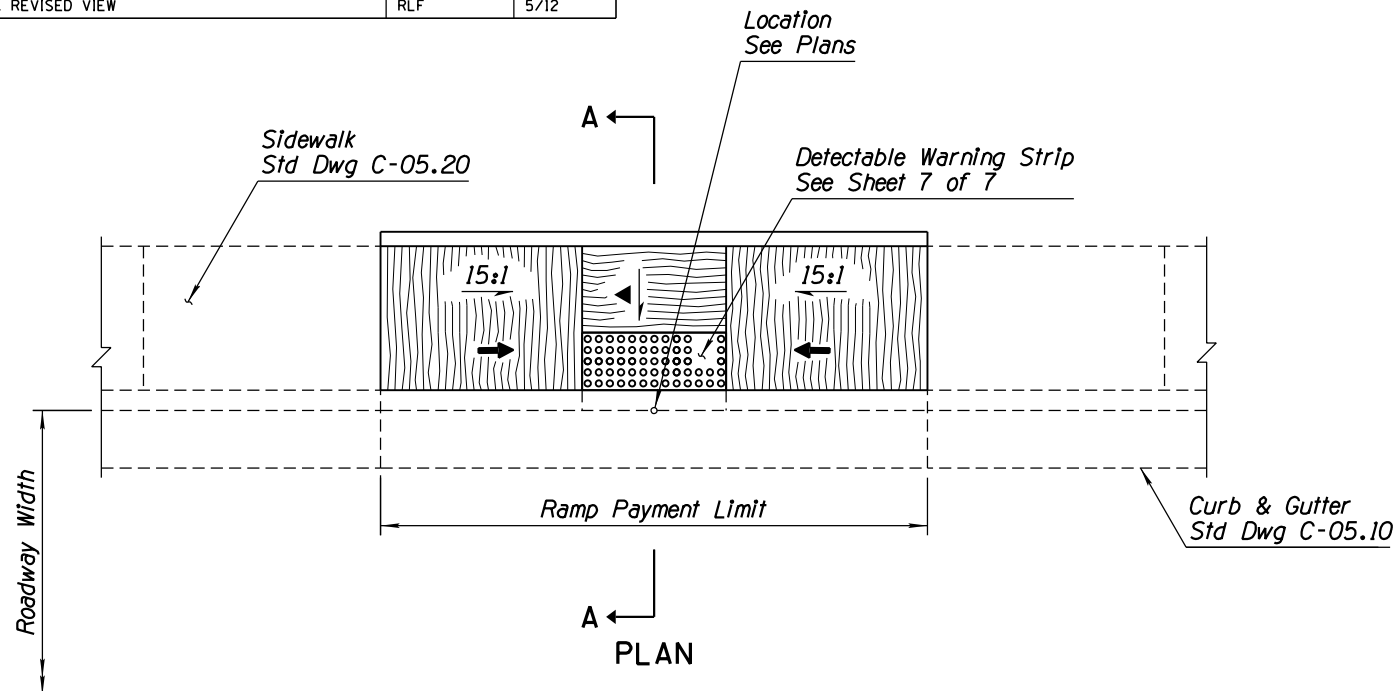
NO	DESCRIPTION OF REVISIONS	MADE BY	DATE
1	REISSUED STD DWG	RLF	4/06
2	REVISED GENERAL NOTE	RLF	4/06
3	DELETED GENERAL NOTE 9	RLF	5/07
4	ADDED NOTE & REVISED VIEW	RLF	5/12

GENERAL NOTES

- For use at mid-block locations.
- Ramp centerline shall be perpendicular to the face of the curb at the Sidewalk Ramp Control Point.
- For ramps 15-ft long or less, the 15:1 slope governs. If a 15:1 slope results in a ramp length longer than 15-ft, the 15:1 slope may be waived and the ramp length held at 15-ft, regardless of the slope.
- For sidewalk widths greater than shown on C-05.20, the overall Sidewalk Ramp depth shall match the sidewalk width.
- Ramp curb height to match elevation at back of adjacent sidewalk.
- Drainage inlets should not be located within the marked crosswalks, or if crosswalks aren't marked, within the area a standard marked crosswalk would enclose.
- Concrete shall receive a rough broom finish as shown.
- See Std Dwg C-05.10 and C-05.20 for joint details.

LEGEND

- ▲ Minimum slope = 100:1 (0.01 %/ft)
- ▶ Maximum slope = 50:1 (0.02 %/ft)
- ◼ Maximum Slope = 20:1 (0.05 %/ft)



APPROVED FOR DESIGN 	STATE OF ARIZONA DEPARTMENT OF TRANSPORTATION ROADWAY STANDARD DRAWINGS	REV. 5/12
APPROVED FOR DISTRIBUTION 	SIDEWALK RAMP TYPE E	DRAWING NO. ① C-05.30 Sheet 5 of 7