

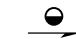


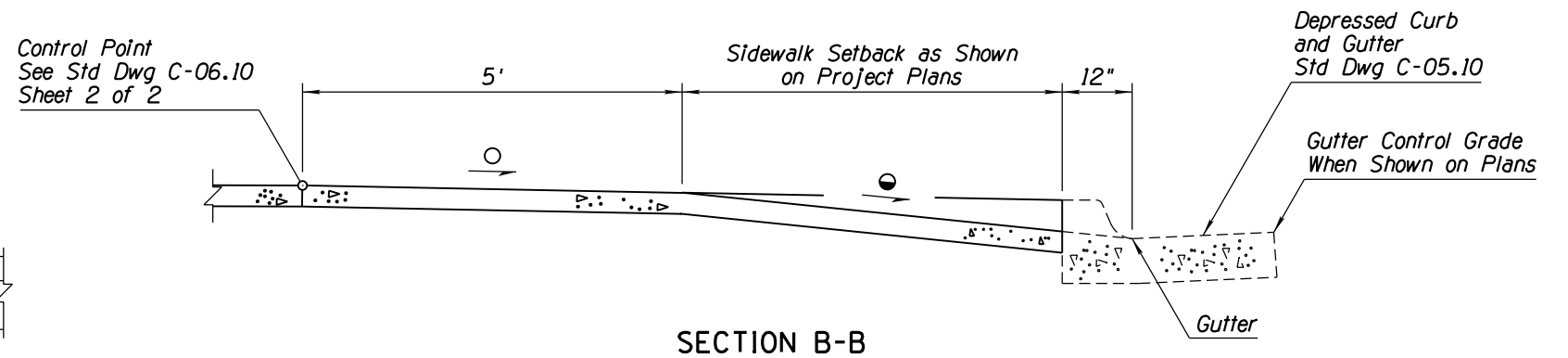
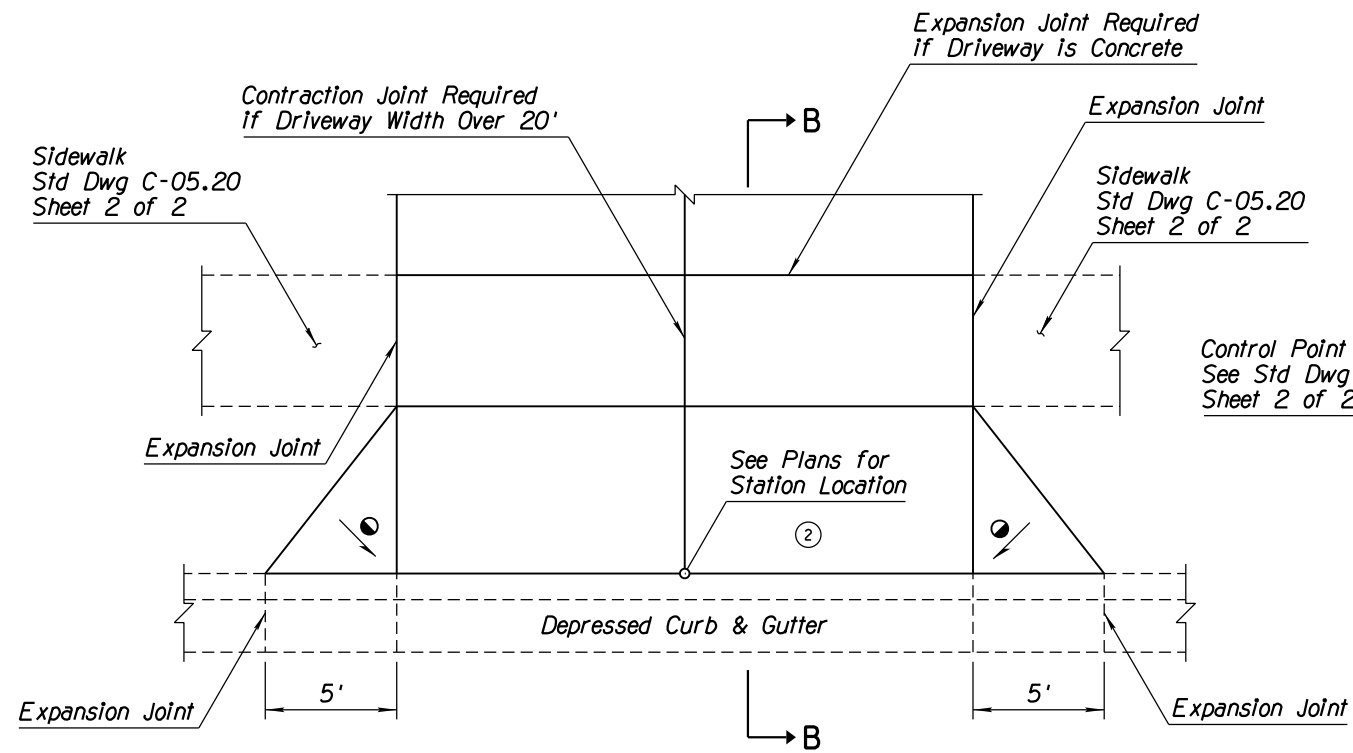
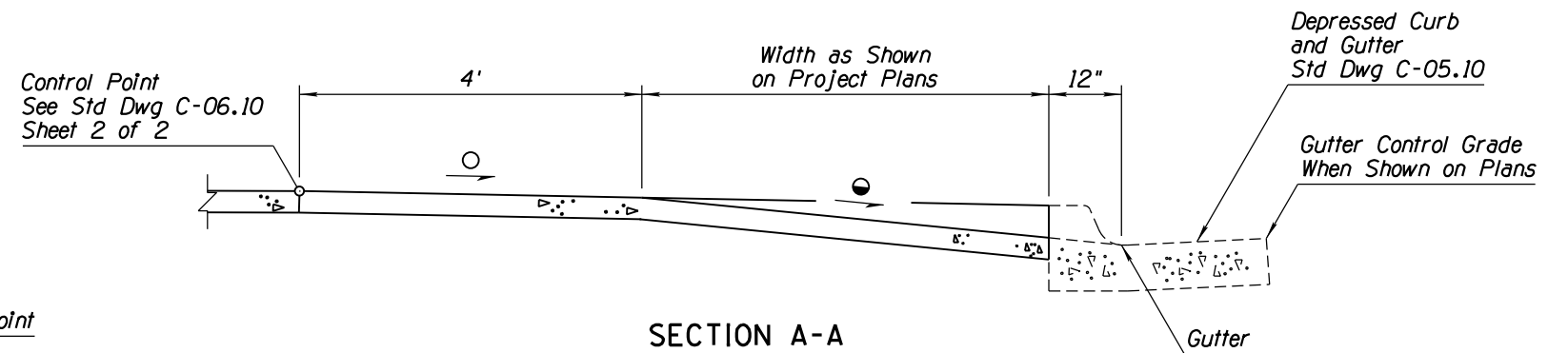
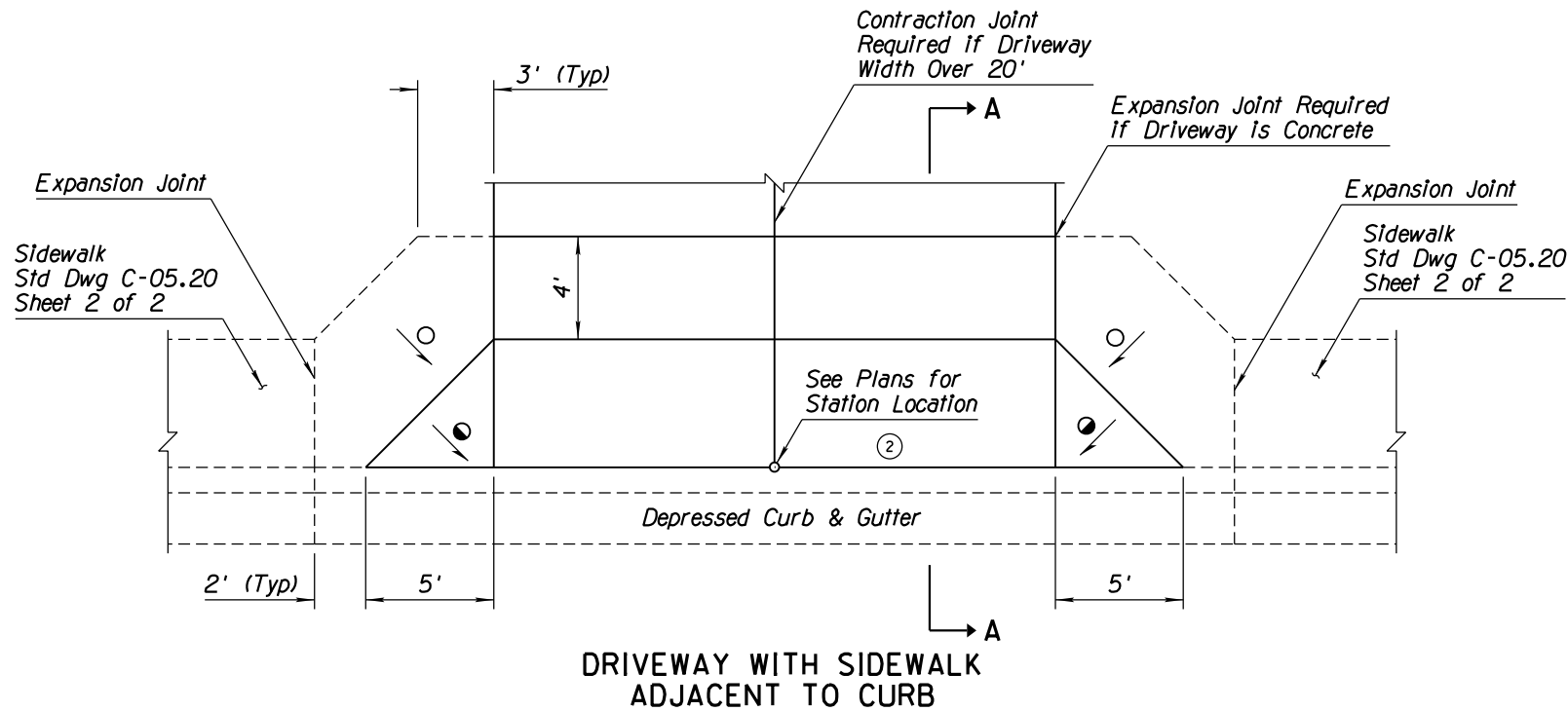
NO.	DESCRIPTION OF REVISIONS	MADE BY	DATE
1	REISSUED STANDARD DRAWING	RLF	9/04
2	REVISED NOTATION	RLF	7/05
3	ADDED GENERAL NOTE FOR AB REQUIREMENT	RLF	5/07
4			

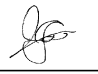
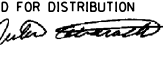
GENERAL NOTES

1. Unless otherwise specified, driveways shall be 6" thick.
2. Two-inch deep transverse contraction joints shall be placed in driveways if the driveway width is over 20'. If the driveway thickness is greater than 6", then the contraction joint depth shall be $T/3$, where T is the thickness of the driveway. Joints shall be either formed or sawn. Formed joints shall be finished with a tool having a $1/4"$ radius. See Sheet 2 of 2 for the Contraction Joint Detail.
3. Expansion joints shall be located between driveways and sidewalks and all abutting structures. The $1/2"$ joint filler shall extend the full depth of the concrete. See Sheet 2 of 2 for the Expansion Joint Detail.
4. Concrete shall be finished by means of a float, then steel trowelled and then broomed with a fine brush in a transverse direction.
5. Place AB under driveways when shown on plans.

LEGEND

-  Minimum slope = 0.01 %
-  Maximum slope = 0.02 %
-  Straight grade with downward slope



APPROVED FOR DESIGN 	STATE OF ARIZONA DEPARTMENT OF TRANSPORTATION ROADWAY STANDARD DRAWINGS	REV. 5/12
APPROVED FOR DISTRIBUTION 	CONCRETE DRIVEWAYS & SIDEWALKS DRIVEWAYS	DRAWING NO. C-05.20 Sheet 1 of 2