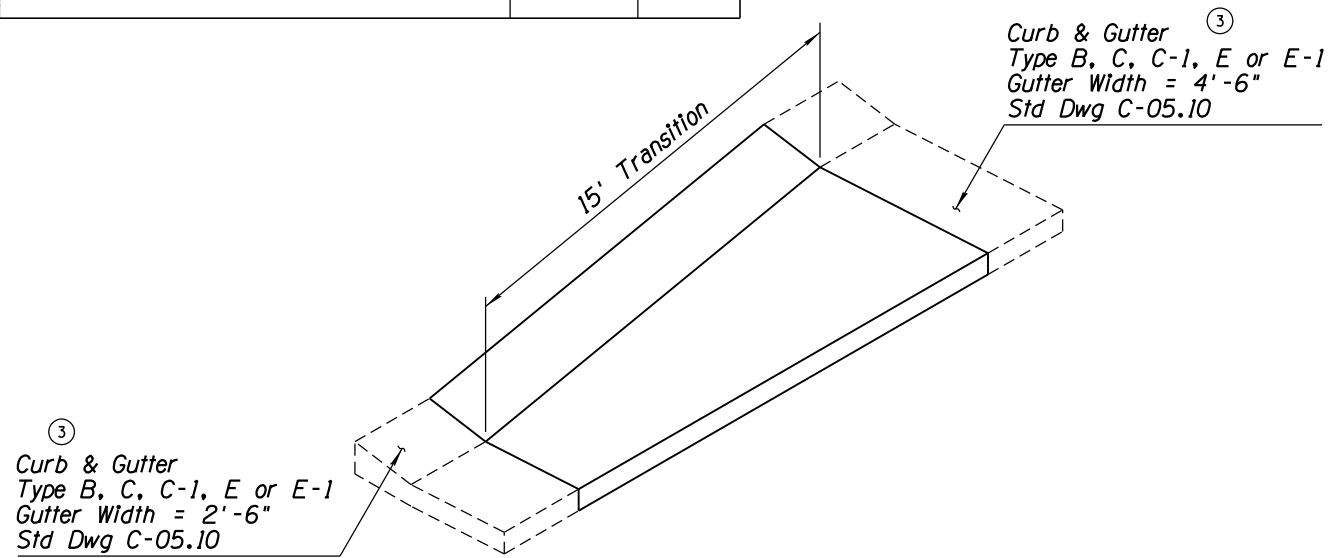
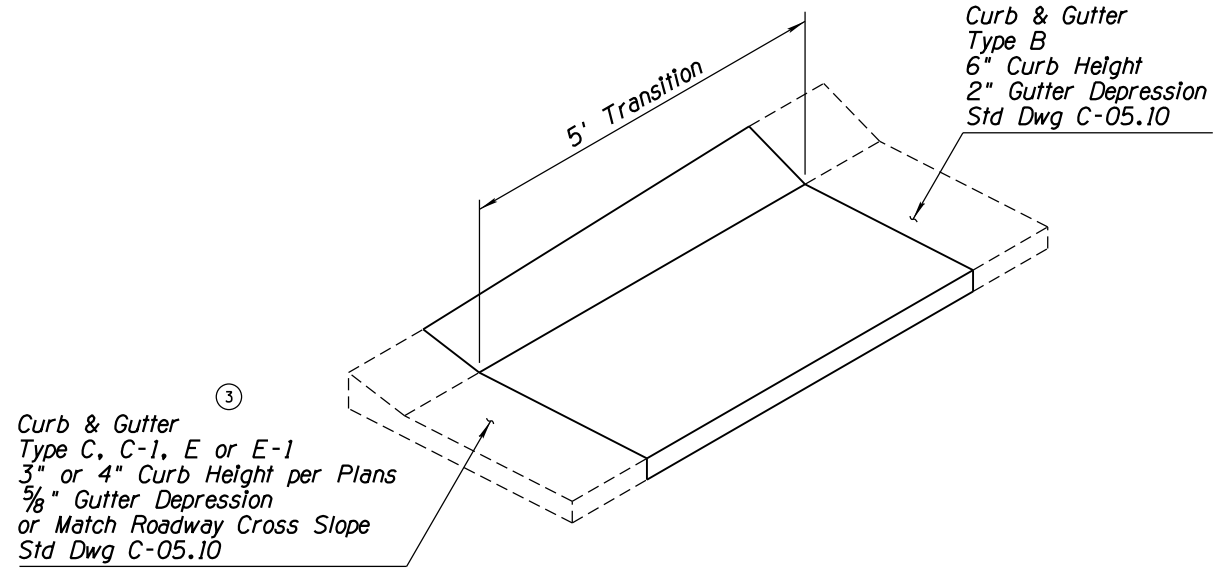


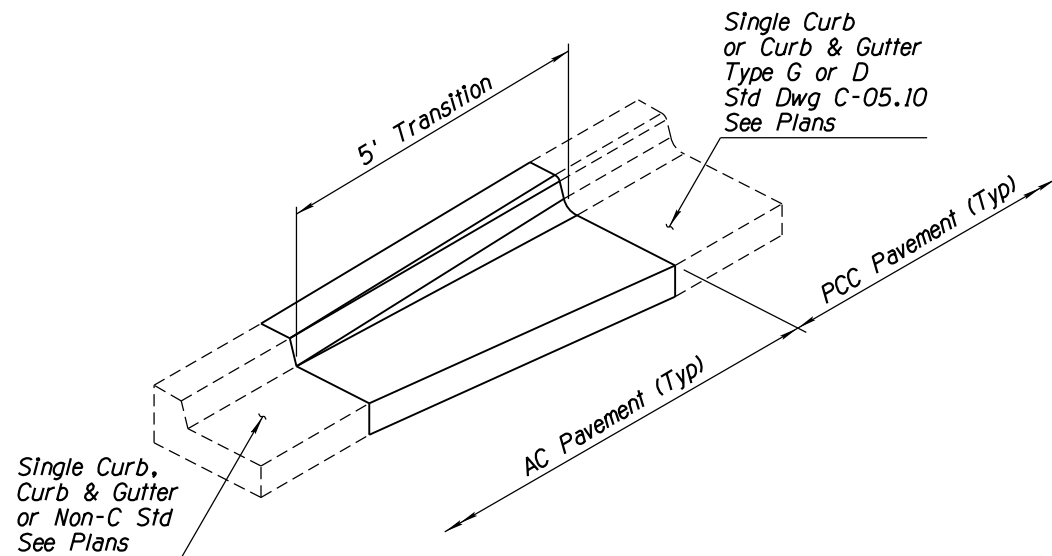
NO	DESCRIPTION OF REVISIONS	MADE BY	DATE
1	REISSUED STANDARD	RLF	9/04
2	REVISED DIMENSION	RLF	7/05
3	REVISED CURB & GUTTER NOTES	RLF	5/12
4			



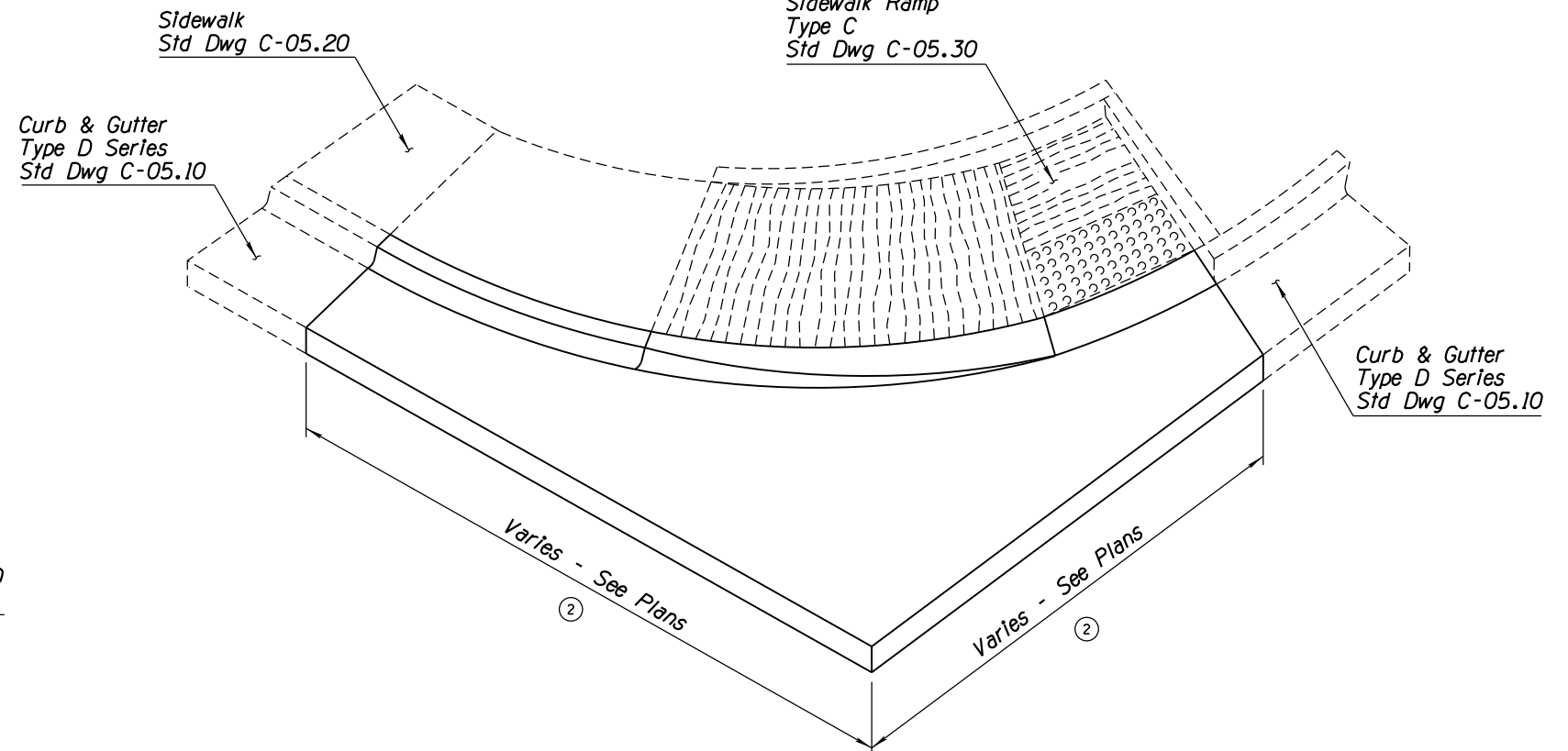
TYPE 5 - CURB & GUTTER TRANSITION



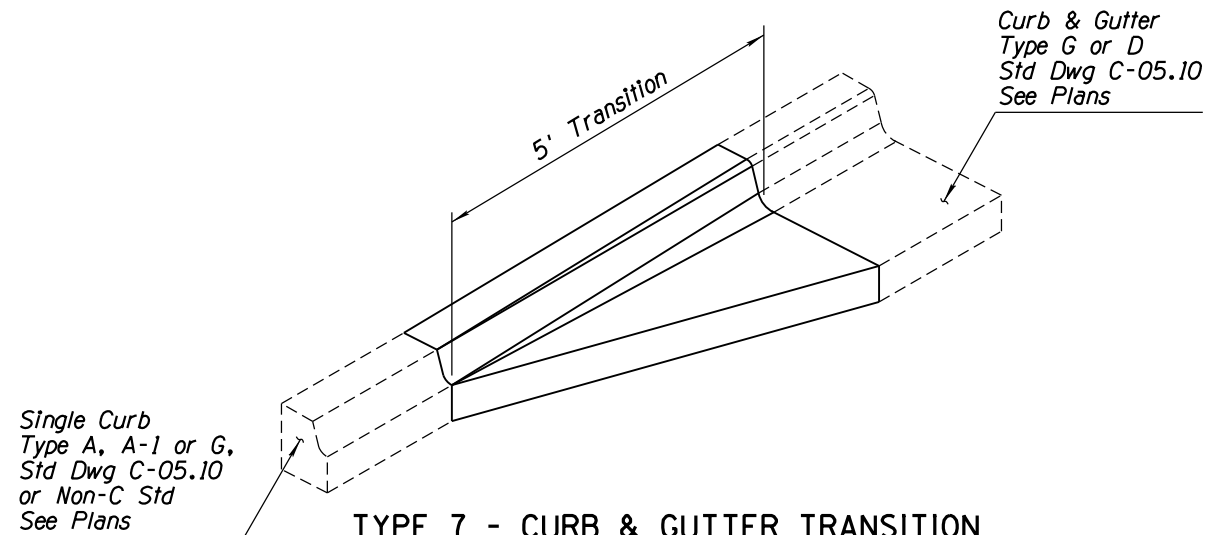
TYPE 8 - CURB & GUTTER TRANSITION



TYPE 6 - SINGLE CURB OR CURB & GUTTER TRANSITION (Curb & Gutter Shown)



TYPE 9 - CURB & GUTTER TRANSITION



TYPE 7 - CURB & GUTTER TRANSITION

APPROVED FOR DESIGN 	STATE OF ARIZONA DEPARTMENT OF TRANSPORTATION ROADWAY STANDARD DRAWINGS	REV. 5/12
APPROVED FOR DISTRIBUTION 	CURB AND GUTTER TRANSITIONS	DRAWING NO. ① C-05.12 Sheet 3 of 3