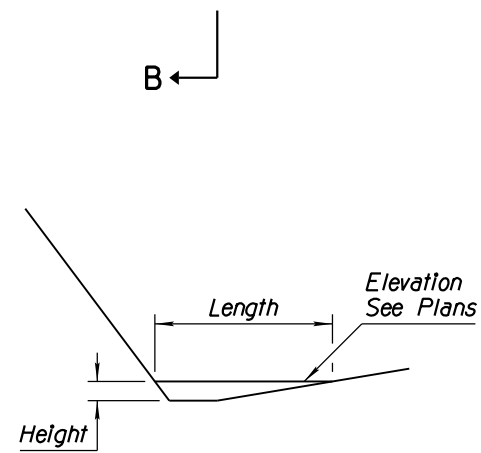
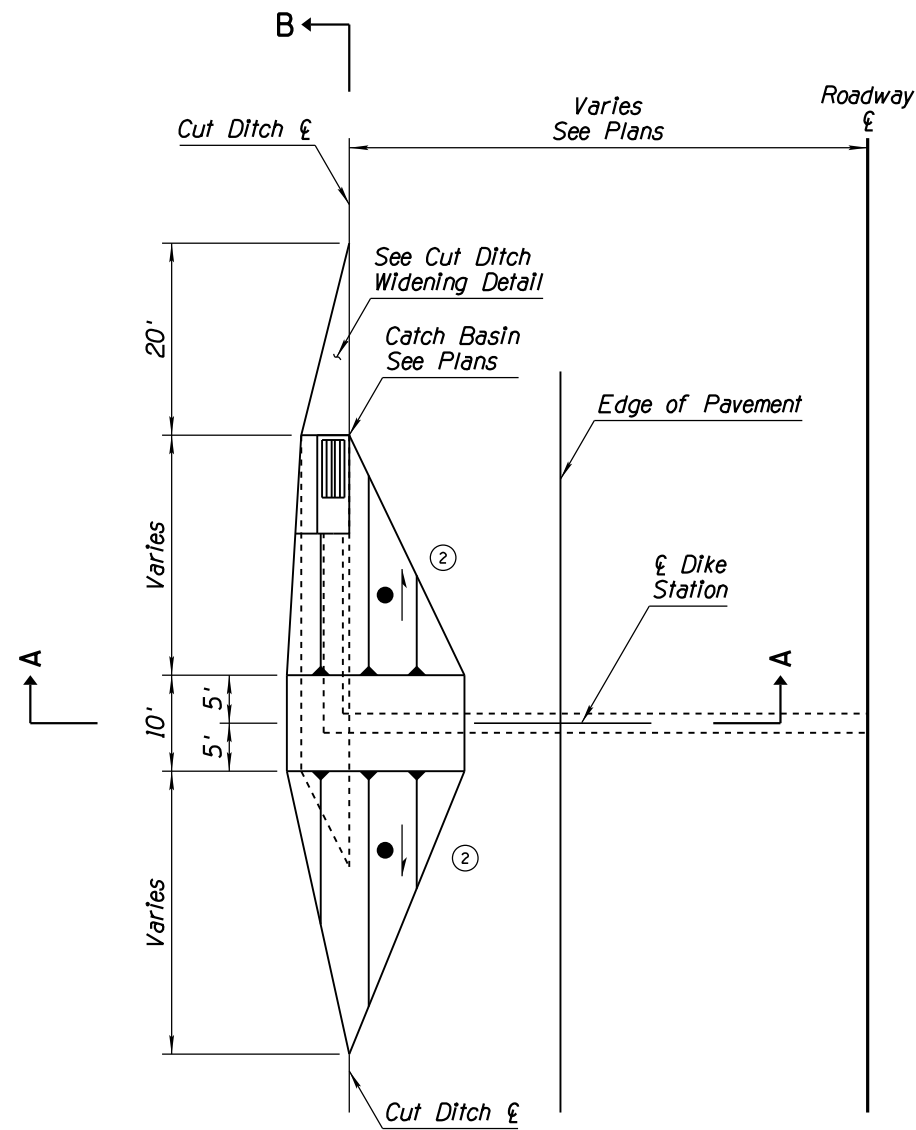
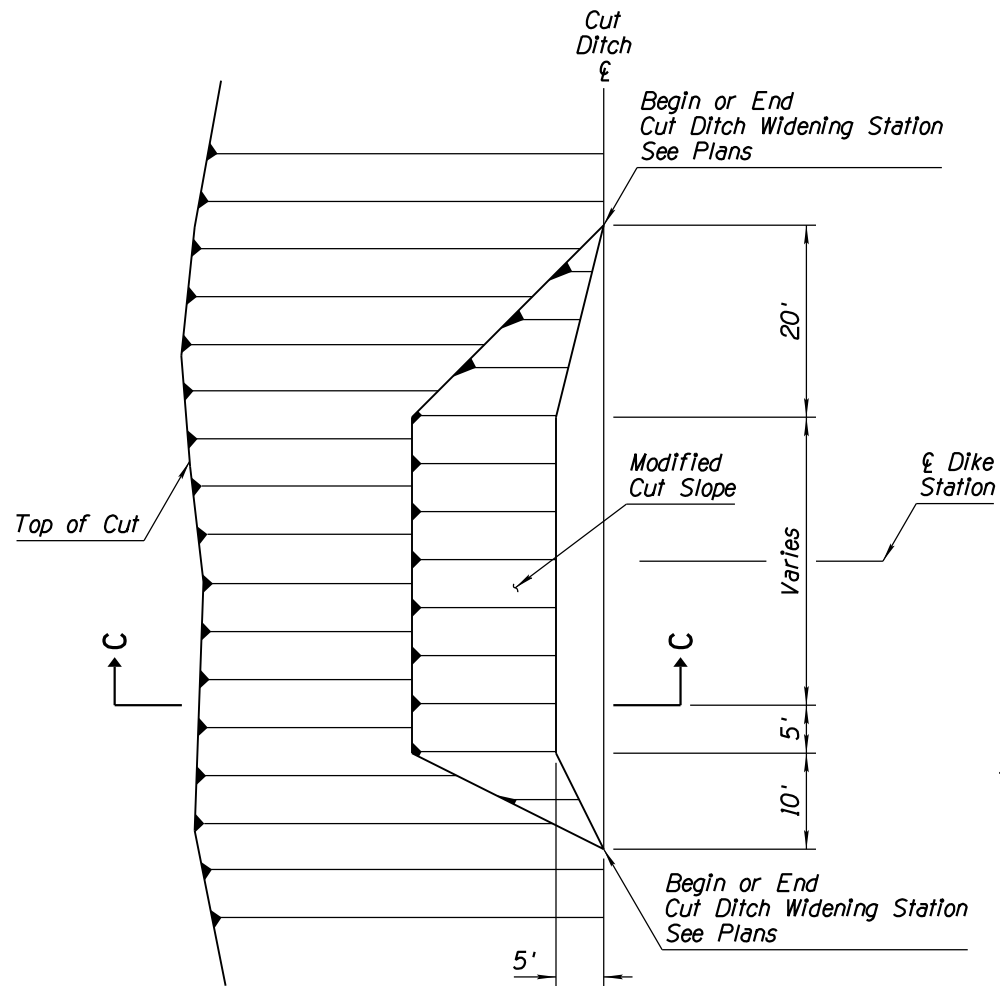


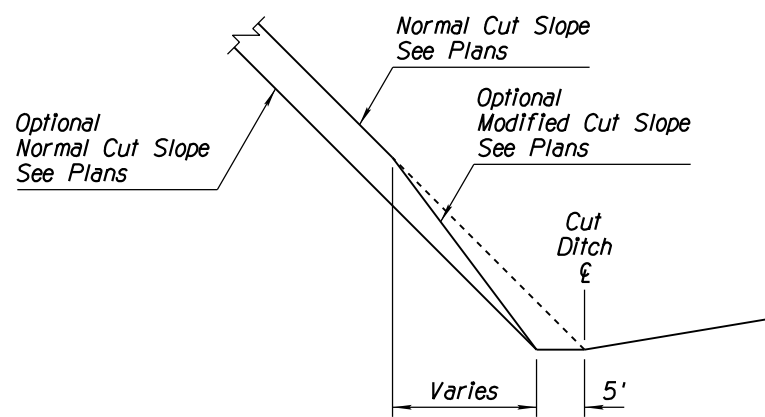
NO.	DESCRIPTION OF REVISIONS	MADE BY	DATE
1	ADDED NEW GENERAL NOTE	RLF	9/04
2	REVISED SLOPE DESIGNATIONS	RLF	9/04
3			
4			



SECTION A-A



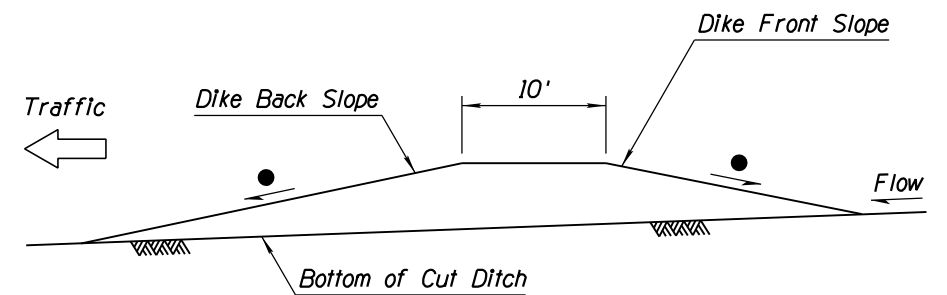
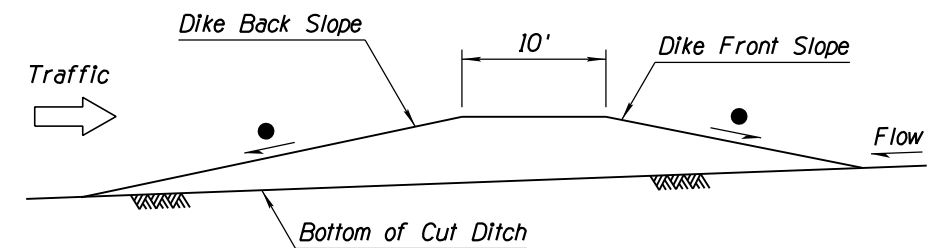
CUT DITCH WIDENING DETAIL



SECTION C-C

GENERAL NOTES

1. Dimensions for ditch dikes shall be shown on the plans as dike stationing, height, length, dike back slope and top of dike elevation.
2. Dimensions for cut ditch widening shall be shown on the plans as beginning and ending stations.
3. All slopes are given relative to the grade of the cut ditch at the toe intersection.
  - ①
  - ② ● 10:1 Desirable Slope



SECTION B-B

APPROVED FOR DESIGN 	STATE OF ARIZONA DEPARTMENT OF TRANSPORTATION ROADWAY STANDARD DRAWINGS	REV. 5/12
APPROVED FOR DISTRIBUTION 	DITCHES, CHANNELS, DIKES AND BERMS DITCH DIKE	DRAWING NO. C-03.10 Sheet 3 of 5