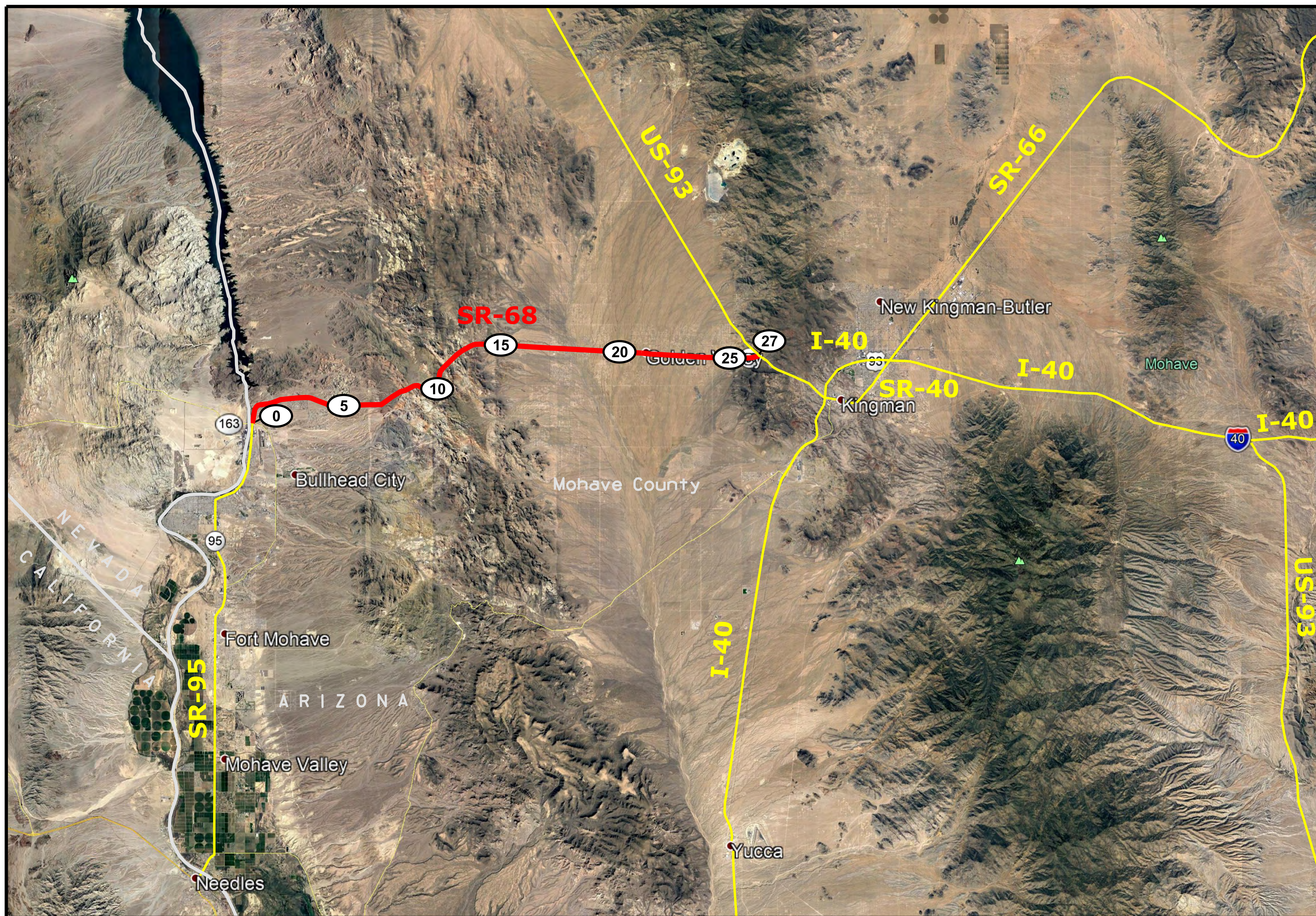


[Click on MilePost numbers](#)
[to view Plans Index sheets](#)

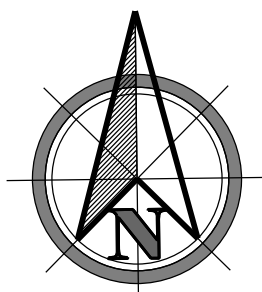
xx Mile Post Numbers

SR 68

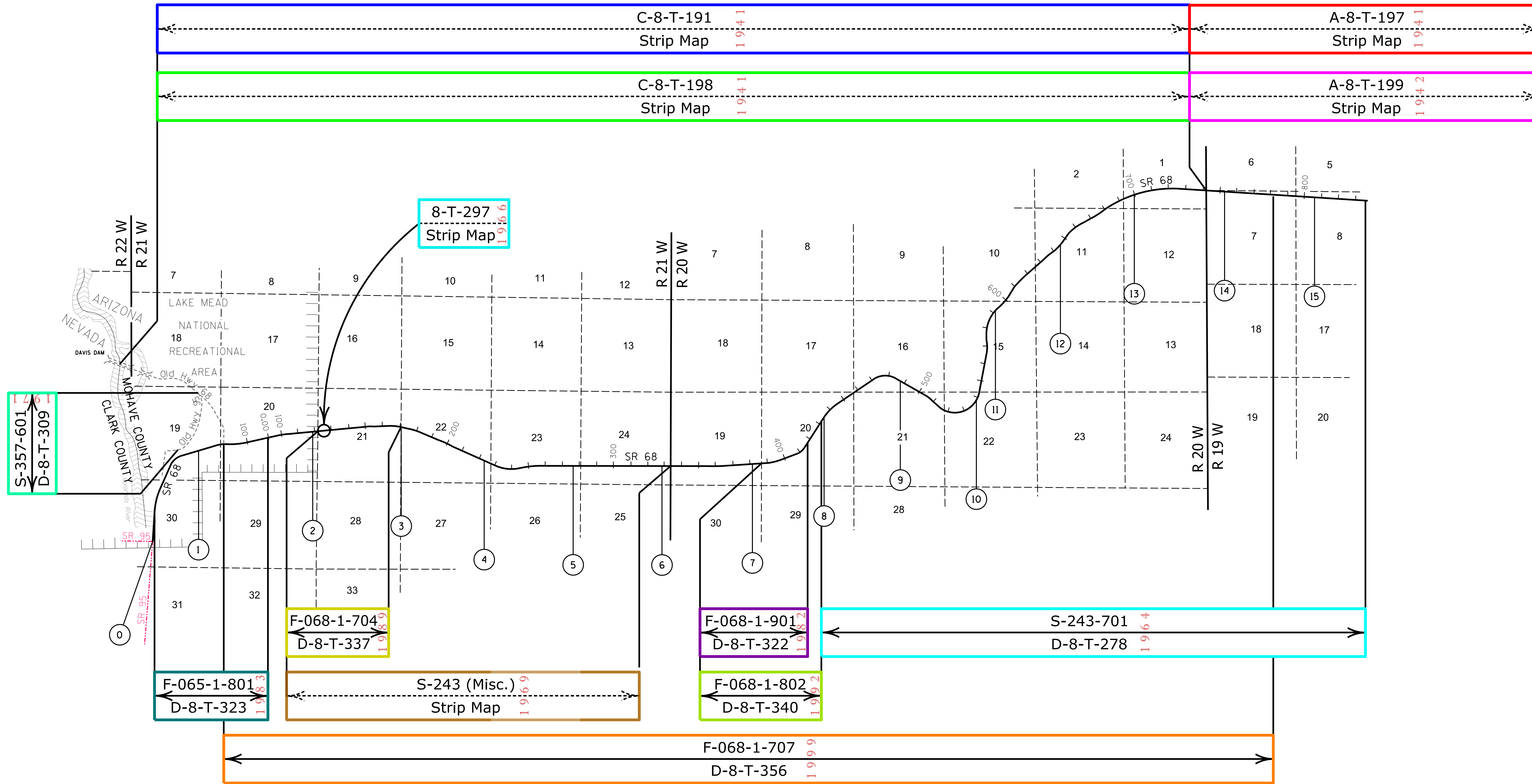
Mile Post: 0 to 27



MOHAVE COUNTY



T 21 N



Contact Us

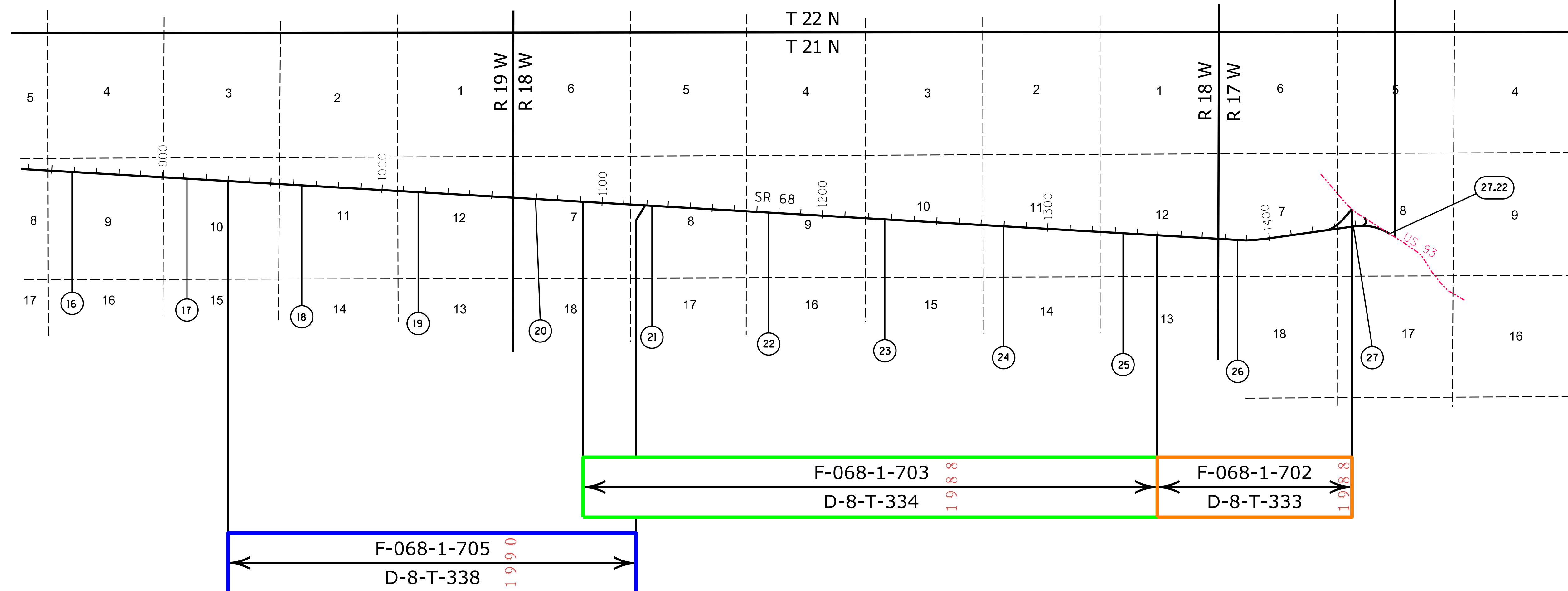
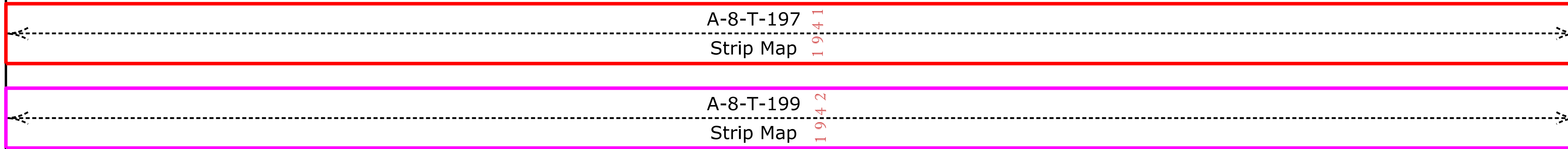
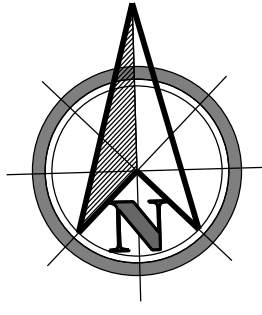
Click in colored box to view Plans/Maps

(xx) Mile Post Number



Right Of Way Index Map	ROUTE SR 68	MILEPOST 0.00 - 15.00
HIGHWAY NAME Bullhead City - Kingman Hwy.		

MOHAVE COUNTY



[Contact Us](#)

Click in colored box
to view Plans/Maps
Ⓧ Mile Post Number



Right Of Way Index Map	ROUTE SR 68	MILEPOST 16.00 - 27.22
HIGHWAY NAME Bullhead City - Kingman Hwy.		