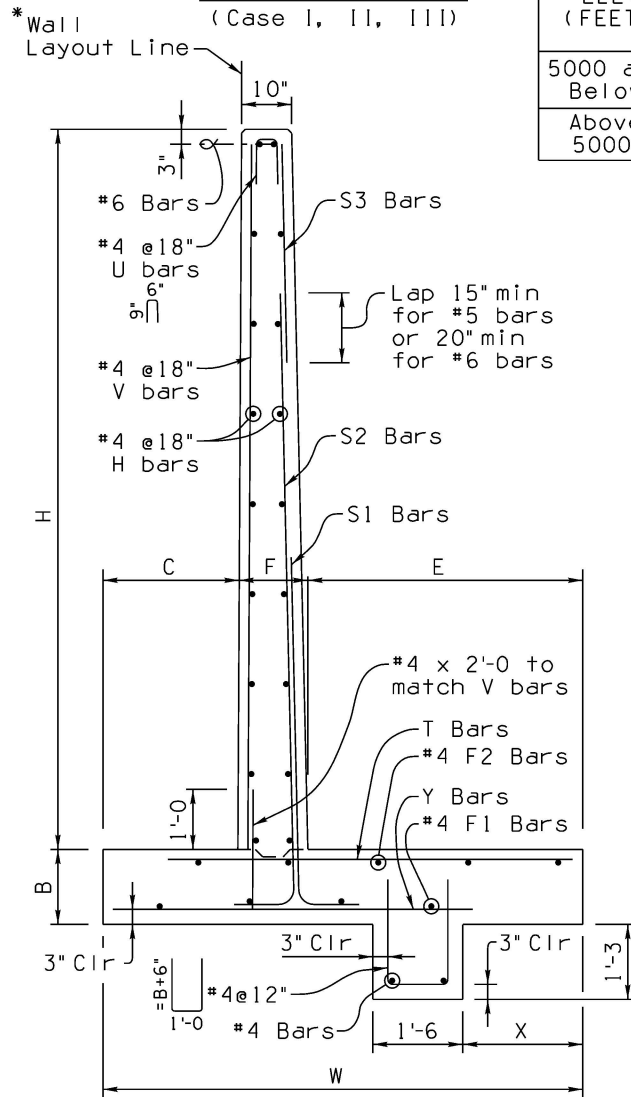
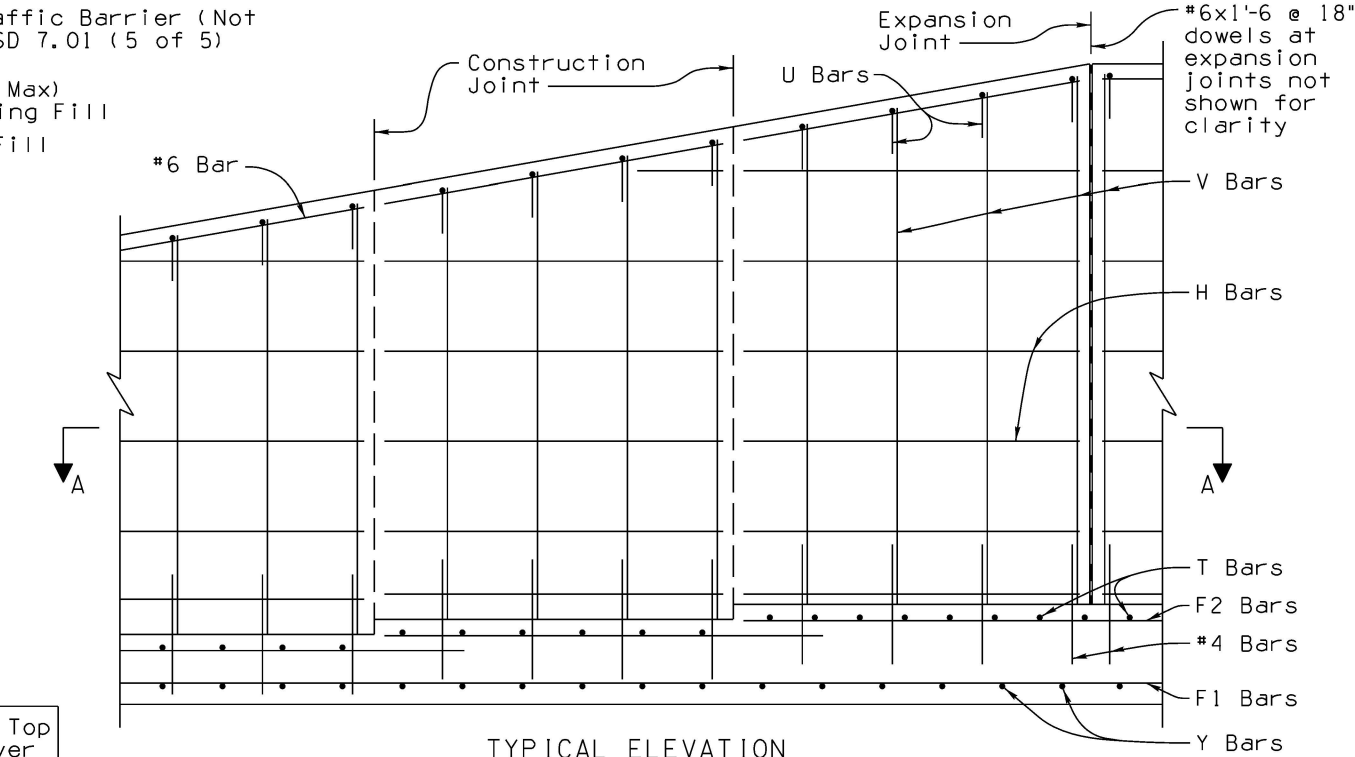


TYPICAL SECTION
(Case I, II, III)

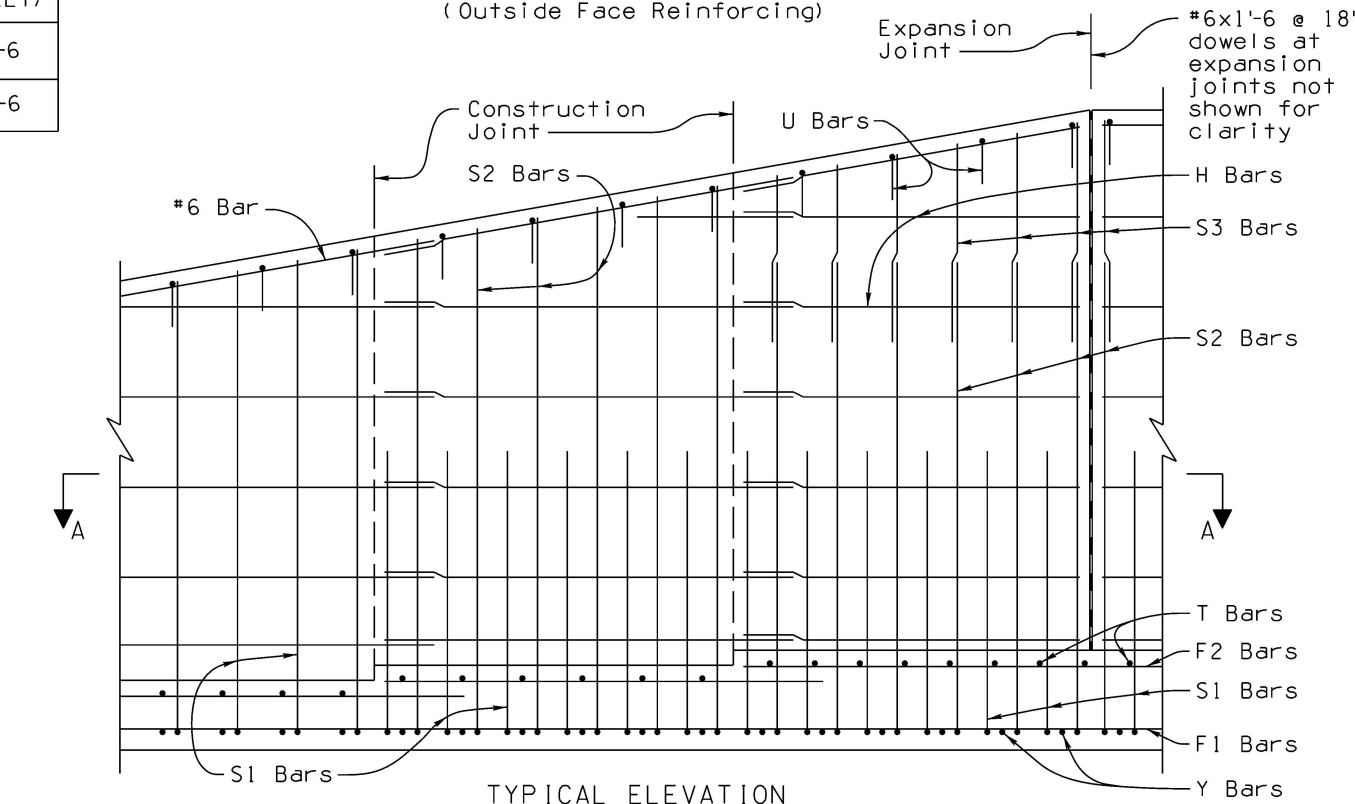
ELEV (FEET)	Min Top Cover (FEET)
5000 and Below	1'-6
Above 5000	2'-6



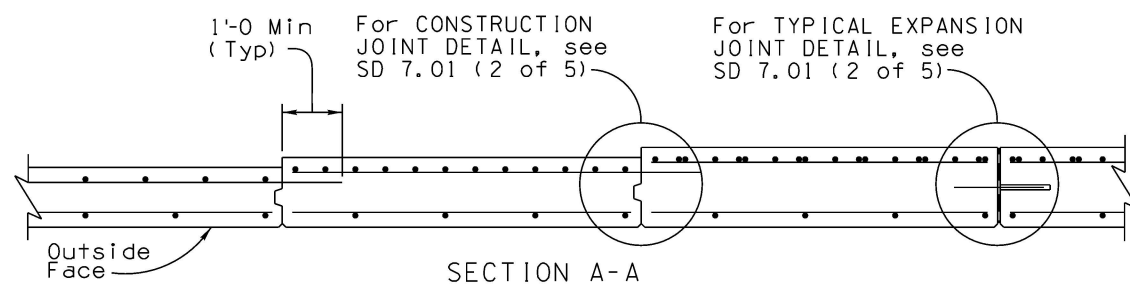
TYPICAL WALL DETAILS



TYPICAL ELEVATION
(Outside Face Reinforcing)



TYPICAL ELEVATION
(Inside Face Reinforcing)



SECTION A-A

GENERAL NOTES:

Construction Specification - Arizona Department of Transportation Standard Specifications for Road and Bridge Construction, latest Edition.

Design Specifications - AASHTO LRFD Bridge Design Specifications, 8th Edition, 2017.

Design:

Soil weight = 120 p.c.f.
Backfill angle of internal friction = 33°
Existing ground angle of internal friction = 31°

All Concrete shall be Class "S" (f'c = 3000 psi).

Reinforcing steel shall conform to ASTM Specification A615. All reinforcing shall be furnished as Grade 60.

All bends and hooks shall meet the requirements of AASHTO LRFD Article 5.10. All bend dimensions for reinforcing steel shall be out-to-out of bars.

All placement dimensions for reinforcing steel shall be to center of bars unless noted otherwise.

All reinforcing steel shall have 2 inch clear cover unless noted otherwise.

Chamfer all exposed corners 3/4" unless noted otherwise.

Compact structure backfill for footing and wall base minimum 100 percent of ASTM D698 maximum dry density.

See Project Plans for wall layout, top of footing and finished grade elevations, footing step and wall joint locations. Construction Joints shall match the locations of contraction joints.

See Project Plans for wall surface treatment. Increase the wall thickness at the outside face for the depth of surface treatment.

Dimensions shall not be scaled from drawings.

Pay item measure of square foot of wall constructed will be measured along the front face of the wall from top of footing to top of wall cap.

* See Project Plans for Wall Layout Line in relation to surface treatment.

Item	RETAINING WALL (REINFORCED CONCRETE CANTILEVER)
Item No.	9140178
Measure	Square Foot

NOTES:

For Retaining wall dimensions, quantities and additional details, see SD 7.01 sheets 2 thru 5.

For Structural Excavation and Structure Backfill Limits, see SD 7.01 (4 of 5).

Note to Designer: The information presented in this Standard Drawing has been prepared in accordance with recognized engineering principles and is for general use. It should not be used for specific application without competent professional examination and verification of its suitability and applicability by a licensed professional engineer. Contents within the inner border line shall not be altered.

PRIOR DISTRIBUTION DATE 12/21

STANDARDS ENGINEER	B. SINGH
RECOMMENDED FOR APPROVAL	D. BENTON
GROUP MANAGER	
APPROVED	
STANDARDS COMMITTEE APPROVED FOR DISTRIBUTION	10/24 DATE

ARIZONA DEPARTMENT OF TRANSPORTATION INFRASTRUCTURE DELIVERY AND OPERATIONS DIVISION BRIDGE GROUP STANDARD DRAWING	
RETAINING WALL REINFORCED CONCRETE CANTILEVER	DRAWING NO. SD 7.01 (1 of 5)