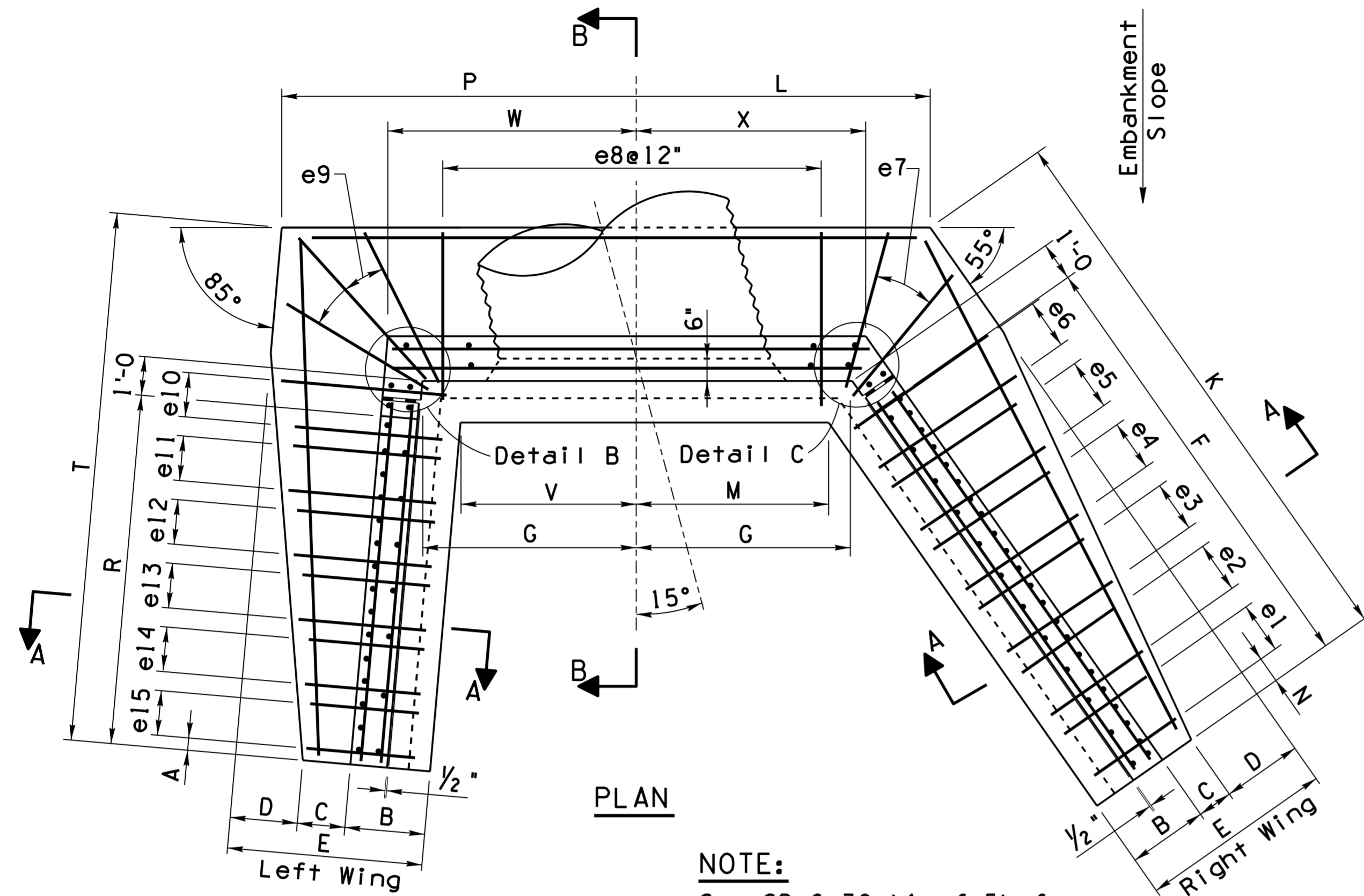


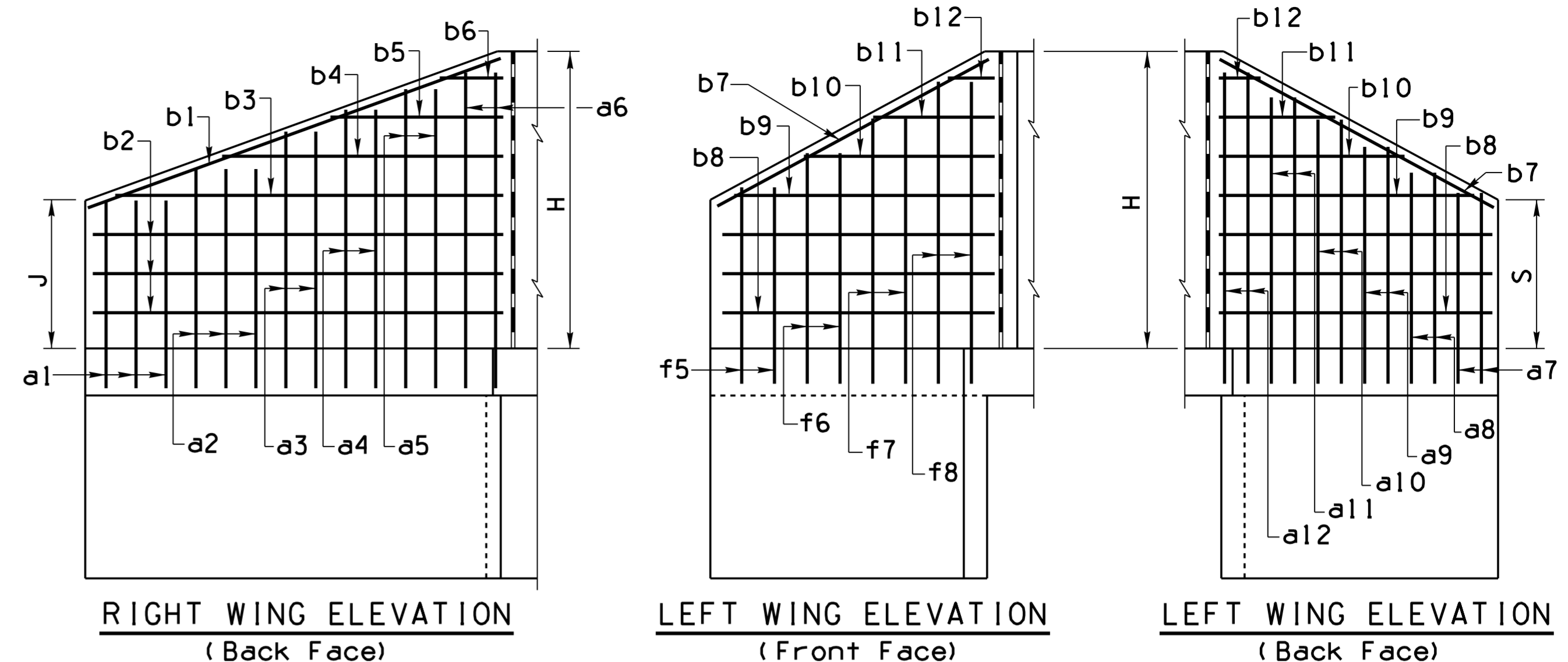
Note to Designer:  
 The information presented in this Standard Detail has been prepared in accordance with recognized engineering principles and is for general use. It should not be used for specific application without competent professional examination and verification of its suitability and applicability by a licensed professional engineer. Contents within the inner border line shall not be altered.

NO.	DESCRIPTION OF REVISIONS	DATE	MADE BY	CHKD. BY
1	Original Issue	7-12		
2				
3				
4				



PLAN

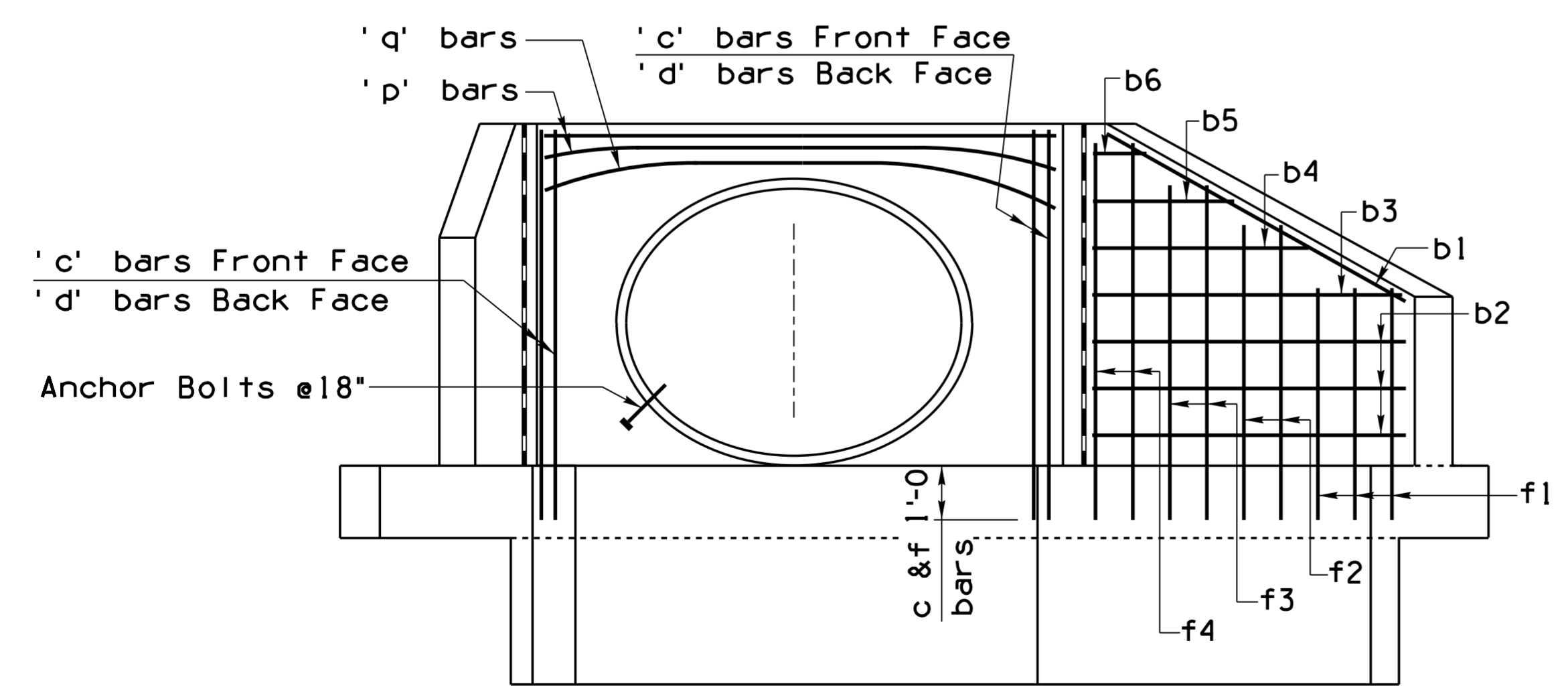
NOTE:  
See SD 6.30 (1 of 5) for Detail B and Detail C.



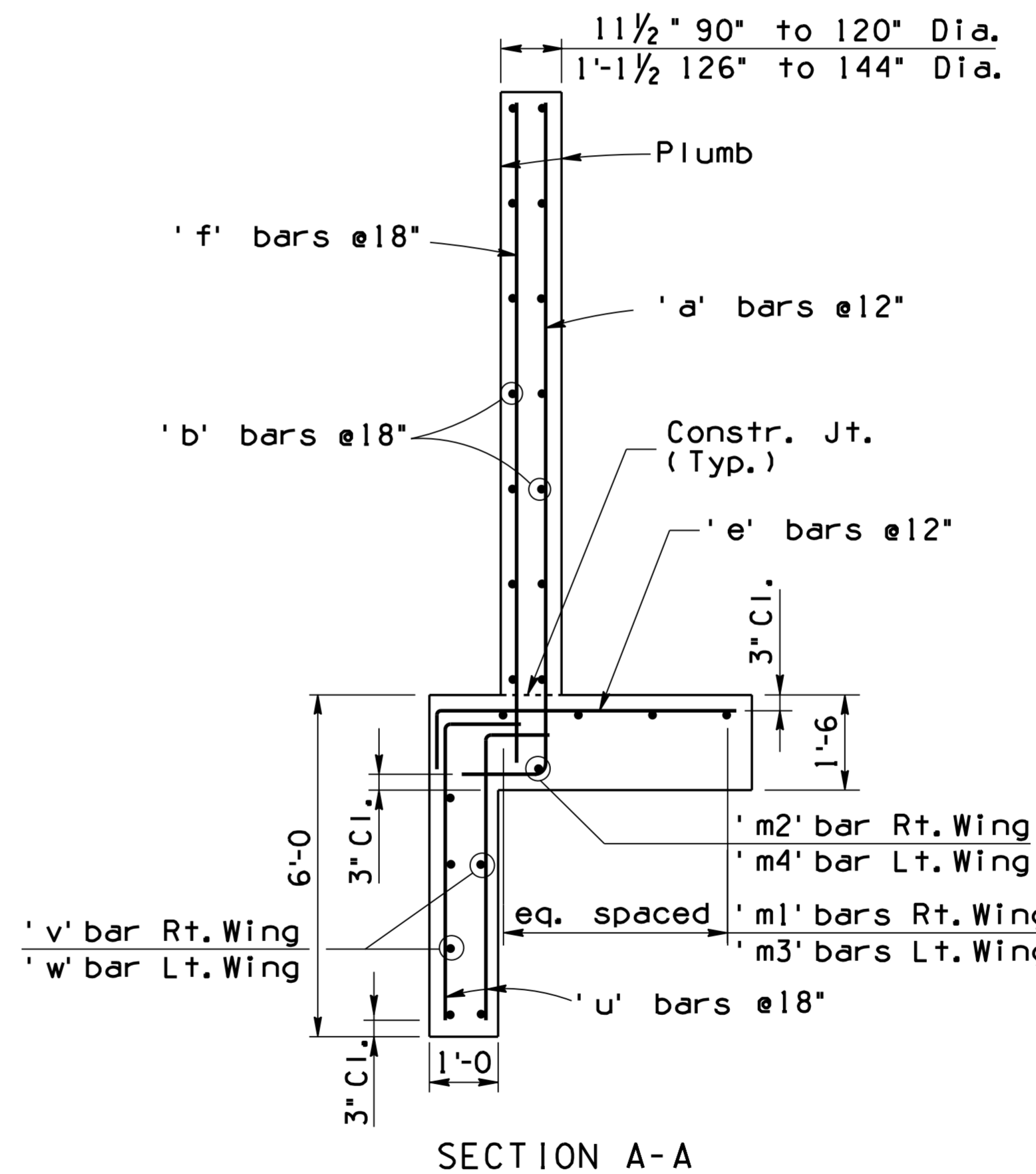
RIGHT WING ELEVATION (Back Face)

LEFT WING ELEVATION (Front Face)

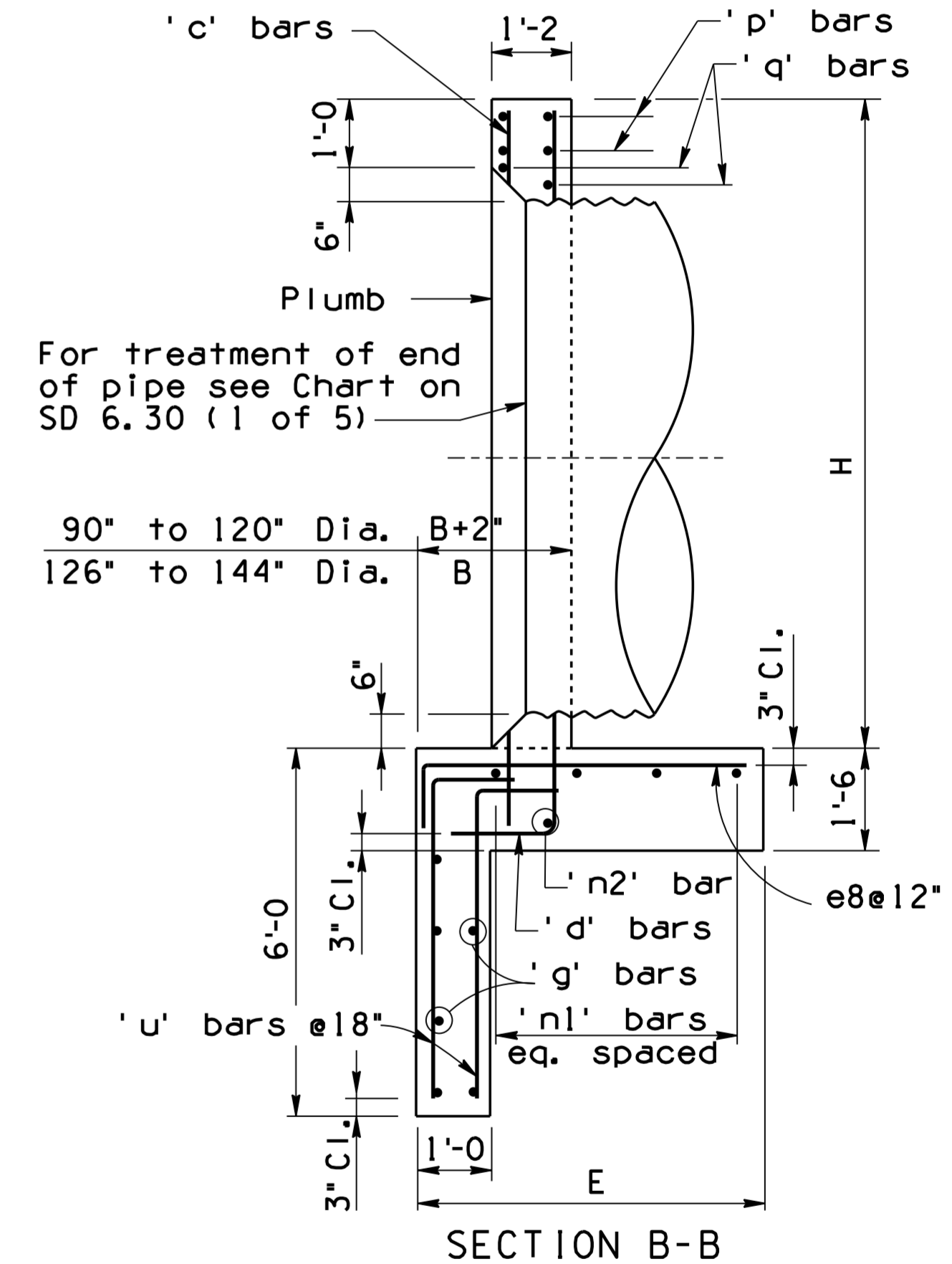
LEFT WING ELEVATION (Back Face)



ELEVATION



SECTION A-A



SECTION B-B

NOTE:  
For General Notes and additional Details, see SD 6.30 (1 of 5) For steel list and bend diagrams see SD 6.32 (6 to 8).

DESIGN APPROVED <i>Shafiq U. Hasan</i>		ARIZONA DEPARTMENT OF TRANSPORTATION INFRASTRUCTURE DELIVERY AND OPERATIONS DIVISION BRIDGE GROUP STRUCTURE DETAIL	
APPROVED FOR DISTRIBUTION <i>Teon A. Nehme</i>		PIPE CULVERT HEADWALLS 15° SKEW OUTLET	
ROUTE	PROJECT NO.	FA NO.	DRAWING NO. SD 6.32 (5 of 8)
LOCATION			SHEET NO. OF