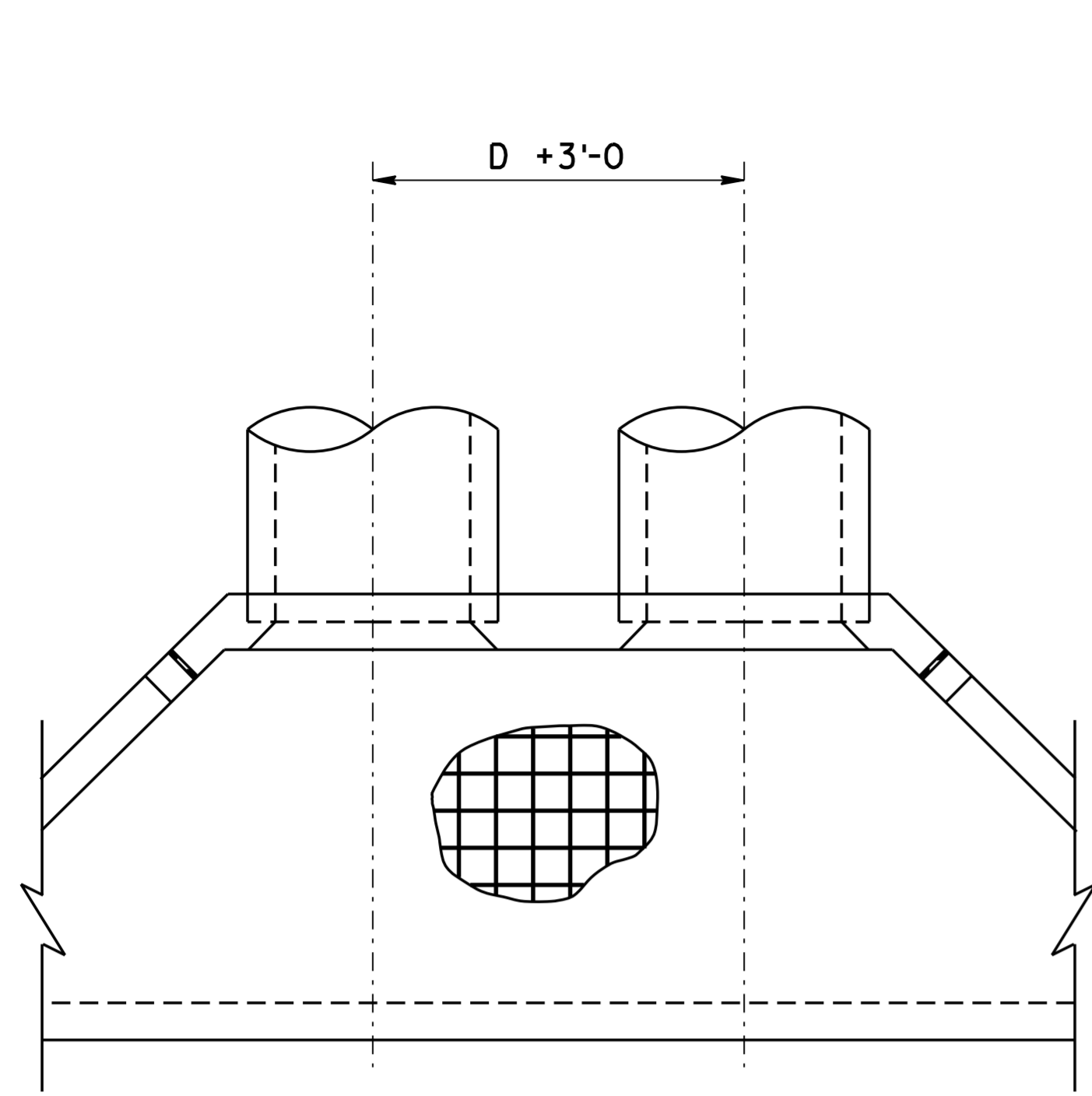
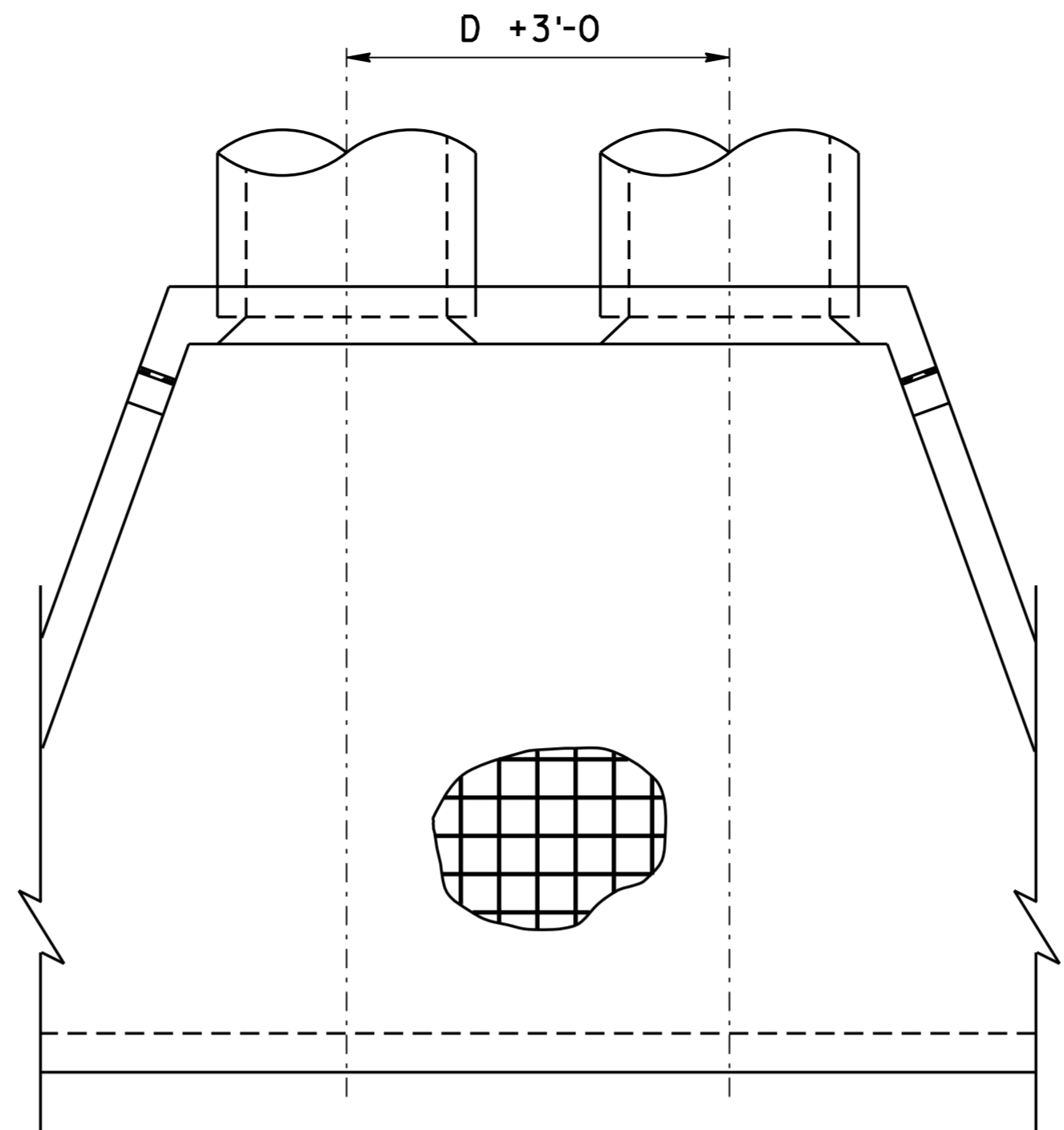


Note to Designer:
 The information presented in this Standard Detail has been prepared in accordance with recognized engineering principles and is for general use. It should not be used for specific application without competent professional examination and verification of its suitability and applicability by a licensed professional engineer. Contents within the inner border line shall not be altered.

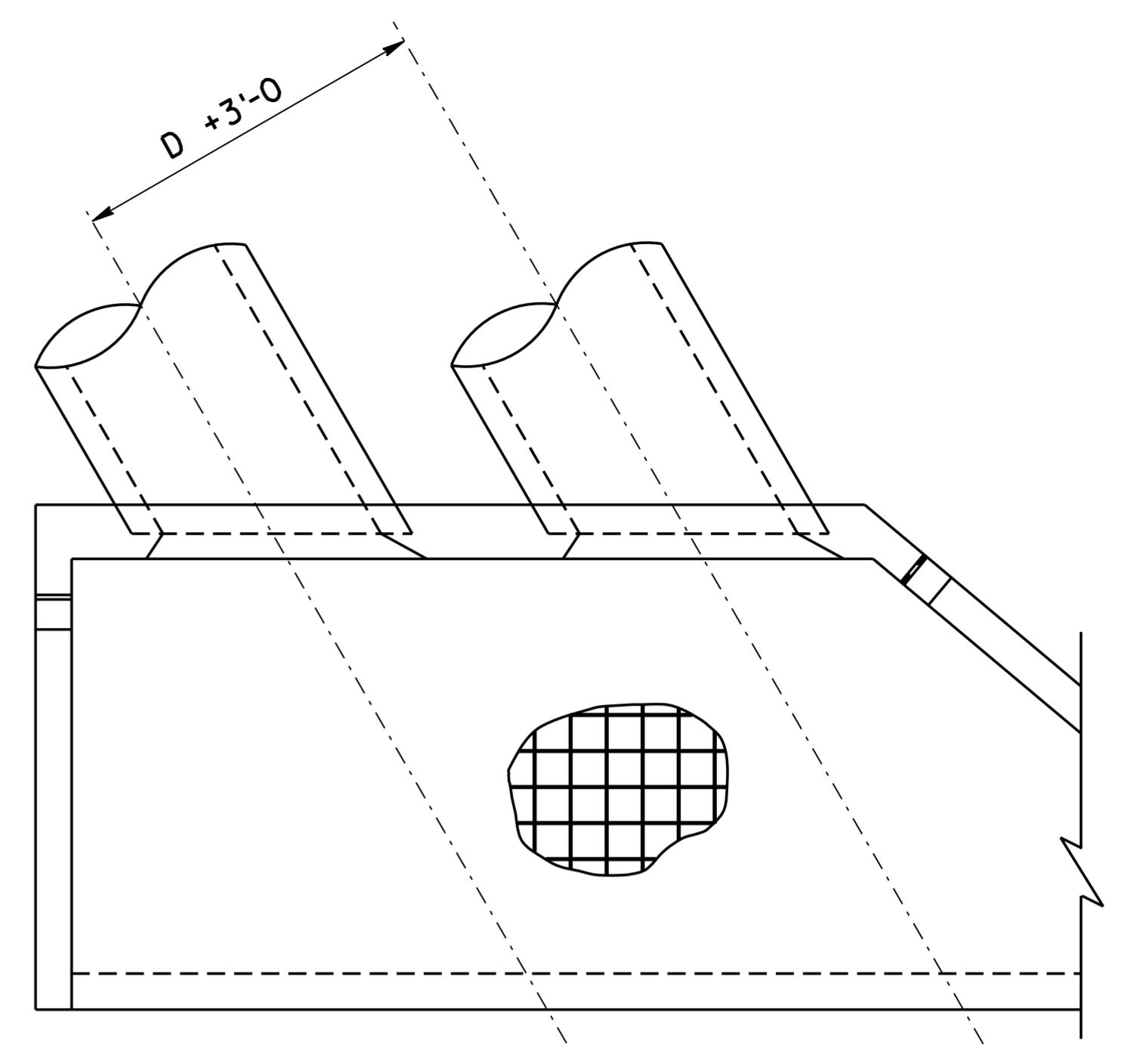
NO.	DESCRIPTION OF REVISIONS	DATE
1	Original Issue	7-12
2		
3		
4		



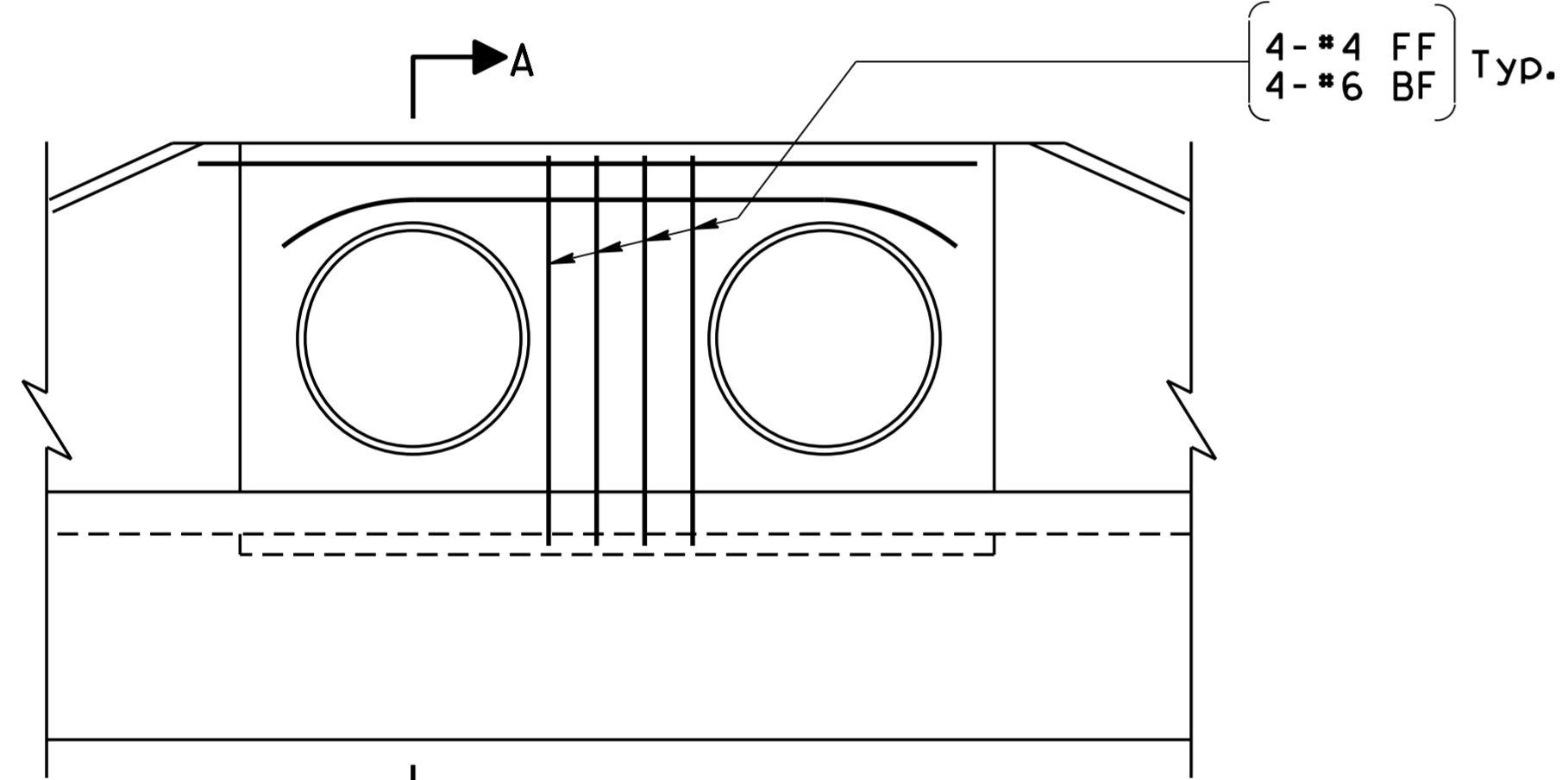
PLAN - INLET HEADWALL



PLAN - OUTLET HEADWALL

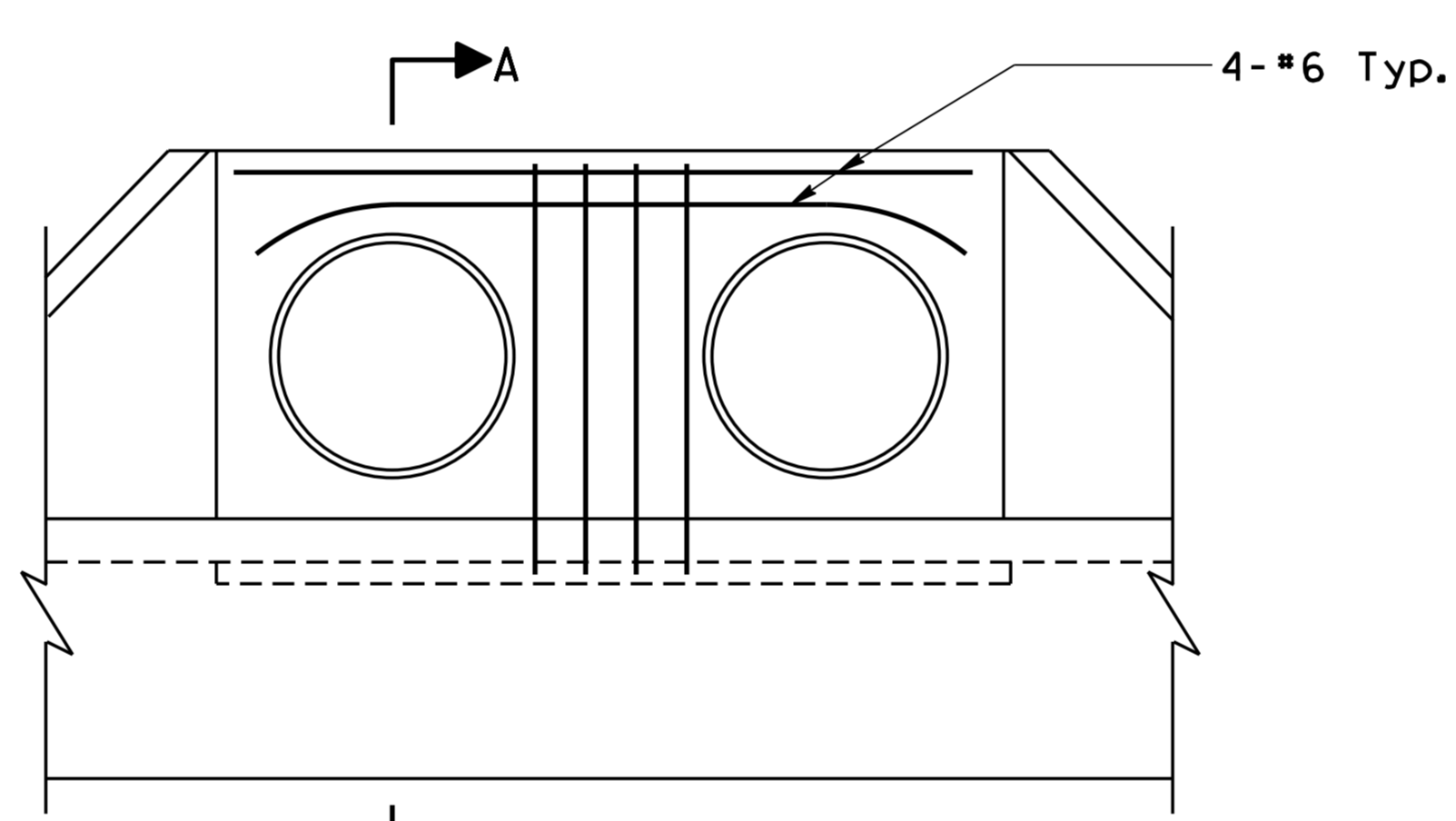


PLAN - SKEW PIPE



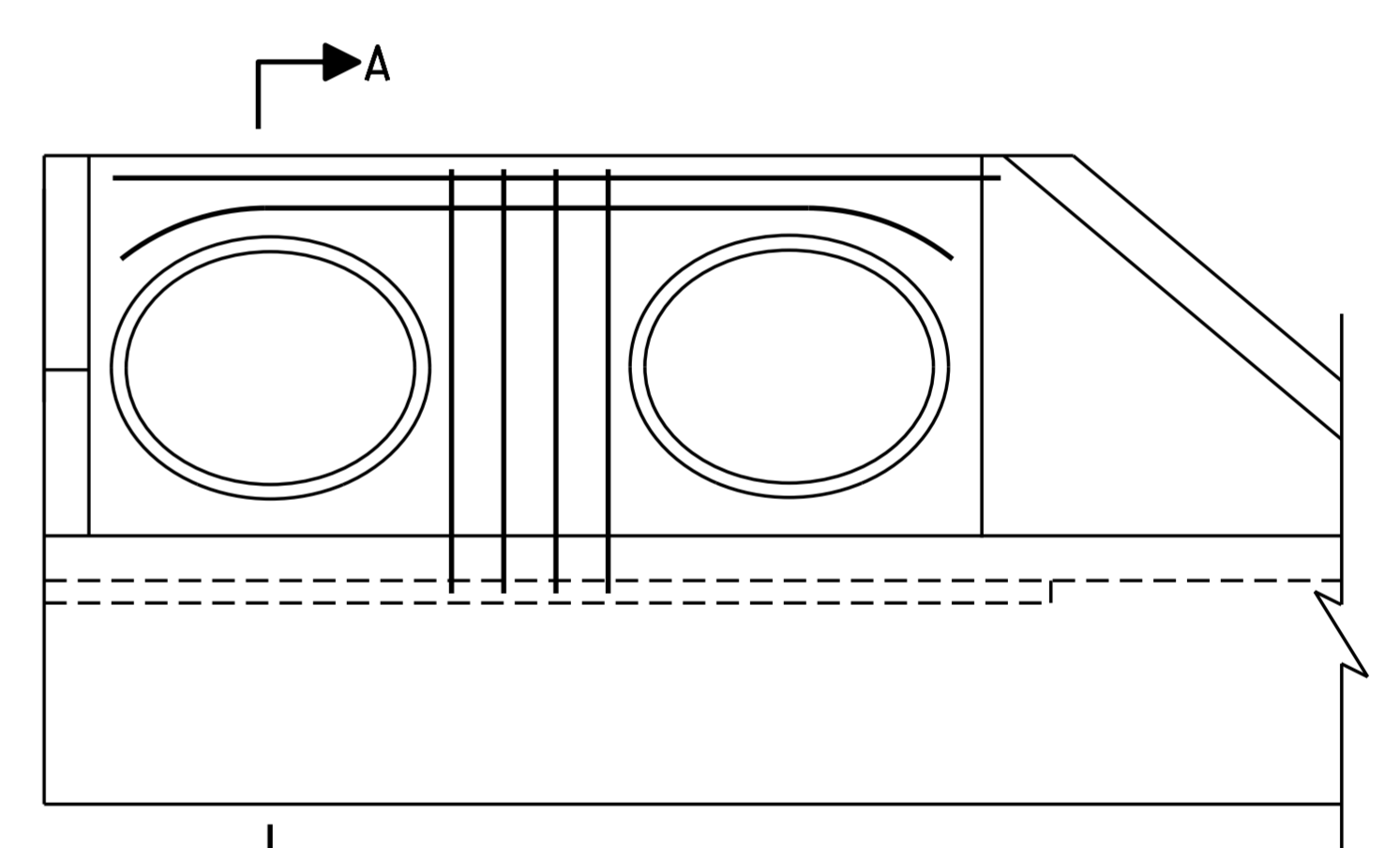
ELEVATION

4-#4 FF
4-#6 BF Typ.



ELEVATION

4-#6 Typ.



ELEVATION

D	CONCRETE QUANTITIES PER ADDITIONAL PIPE (C. Y.)														
	Rt. ∇ Inlet			Rt. ∇ Outlet			15°			30°			45°		
	2:1	4:1	6:1	2:1	4:1	6:1	2:1	4:1	6:1	2:1	4:1	6:1	2:1	4:1	6:1
48"	3.1	3.5	3.8	3.7	4.7	5.2	3.8	5.0	5.8	4.0	4.9	5.4	4.7	5.9	6.2
54"	3.5	4.1	4.4	4.2	5.3	5.9	4.3	5.7	6.6	4.4	5.5	6.1	5.3	6.6	7.1
60"	3.9	4.5	4.8	4.7	6.0	6.7	4.8	6.4	7.6	5.0	6.2	6.9	6.0	7.3	7.9
66"	4.3	5.0	5.3	5.2	6.6	7.4	5.3	7.1	8.2	5.6	6.9	7.8	6.6	8.1	8.9
72"	4.8	5.5	5.9	5.8	7.4	8.3	6.0	8.0	9.2	6.2	7.7	8.4	7.3	8.9	9.7
78"	5.2	6.0	6.4	6.3	8.1	9.1	6.6	8.8	10.2	6.8	8.5	9.6	8.1	9.8	10.8
84"	5.7	6.6	7.0	6.9	8.8	10.0	7.2	9.7	11.2	7.5	9.4	10.6	8.8	10.6	11.8

D	REINF. BAR QUANTITIES PER ADDITIONAL PIPE (Lbs.)														
	Rt. ∇ Inlet			Rt. ∇ Outlet			15°			30°			45°		
	2:1	4:1	6:1	2:1	4:1	6:1	2:1	4:1	6:1	2:1	4:1	6:1	2:1	4:1	6:1
48"	180	205	215	210	260	280	210	270	305	220	260	285	240	290	310
54"	200	220	230	230	280	305	240	305	350	245	295	325	270	325	350
60"	220	250	260	260	315	345	260	330	385	265	325	355	300	365	395
66"	235	265	275	275	340	375	280	365	420	285	350	385	330	405	440
72"	255	295	305	305	380	420	310	405	465	320	390	430	355	425	470
78"	275	310	325	320	405	450	335	420	505	345	415	450	395	470	520
84"	300	340	355	355	450	500	370	490	560	370	460	520	425	515	570

NOTE:
 Multipipe culvert headwall quantities are obtained by multiplying quantity shown in tables by the number of additional pipes and adding to single pipe headwall quantities.

NOTE:
 For Section A-A and Details not shown see Dwg. (3 & 4 of 5).

NOTE:
 For General Notes, Dimensions, Quantities and additional Details, see SD 6.30 (1 to 4).

DESIGN APPROVED <i>Shafiq U. Hasan</i>		ARIZONA DEPARTMENT OF TRANSPORTATION INFRASTRUCTURE DELIVERY AND OPERATIONS DIVISION BRIDGE GROUP STRUCTURE DETAIL	
APPROVED FOR DISTRIBUTION <i>Teon A. Nehme</i>		PIPE CULVERT HEADWALLS MULTI-PIPE 48" to 84" PIPES	
ROUTE	PROJECT NO.	FA NO.	DRAWING NO. SD 6.30 (5 of 5)
LOCATION			SHEET NO. 0F