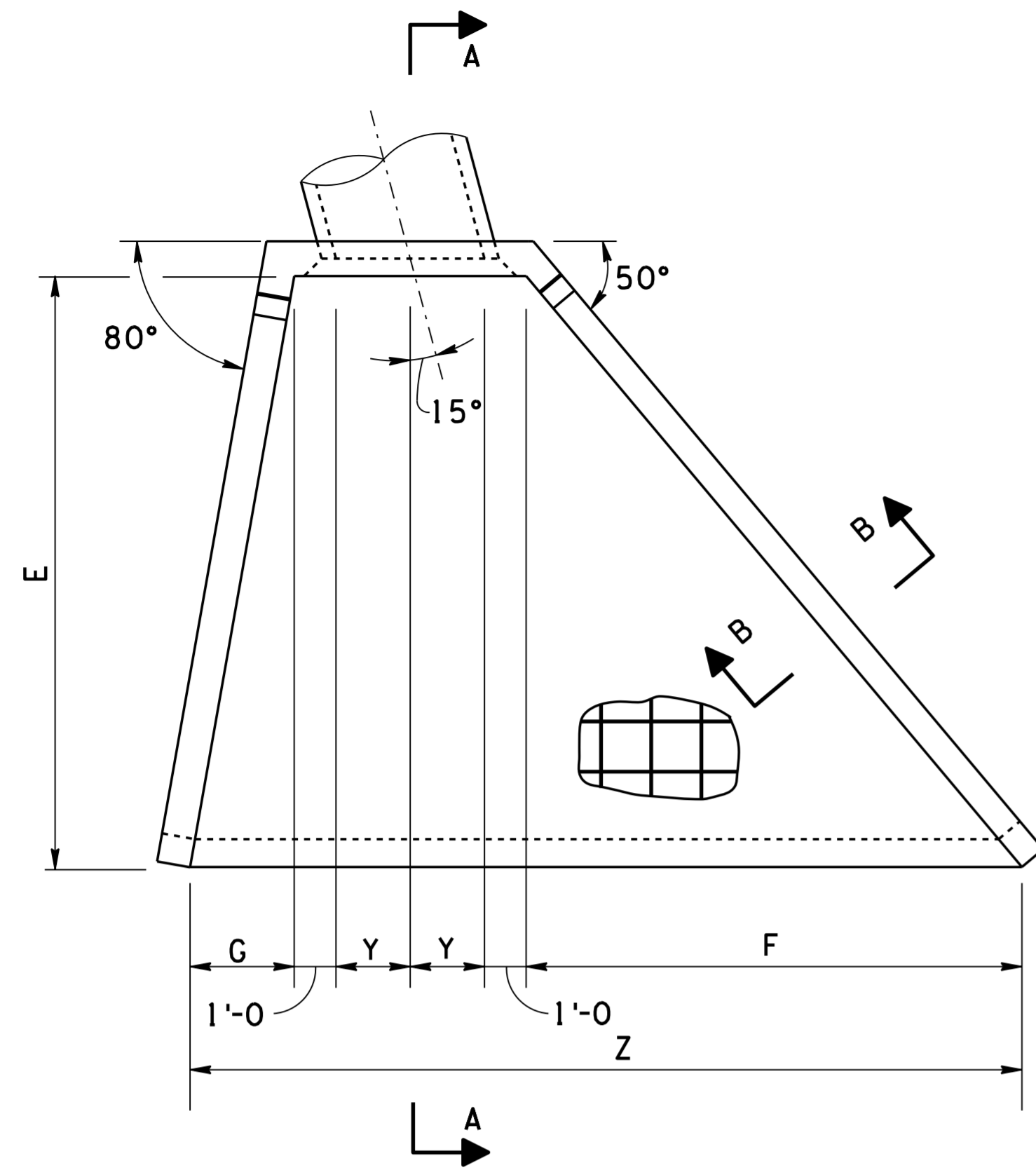
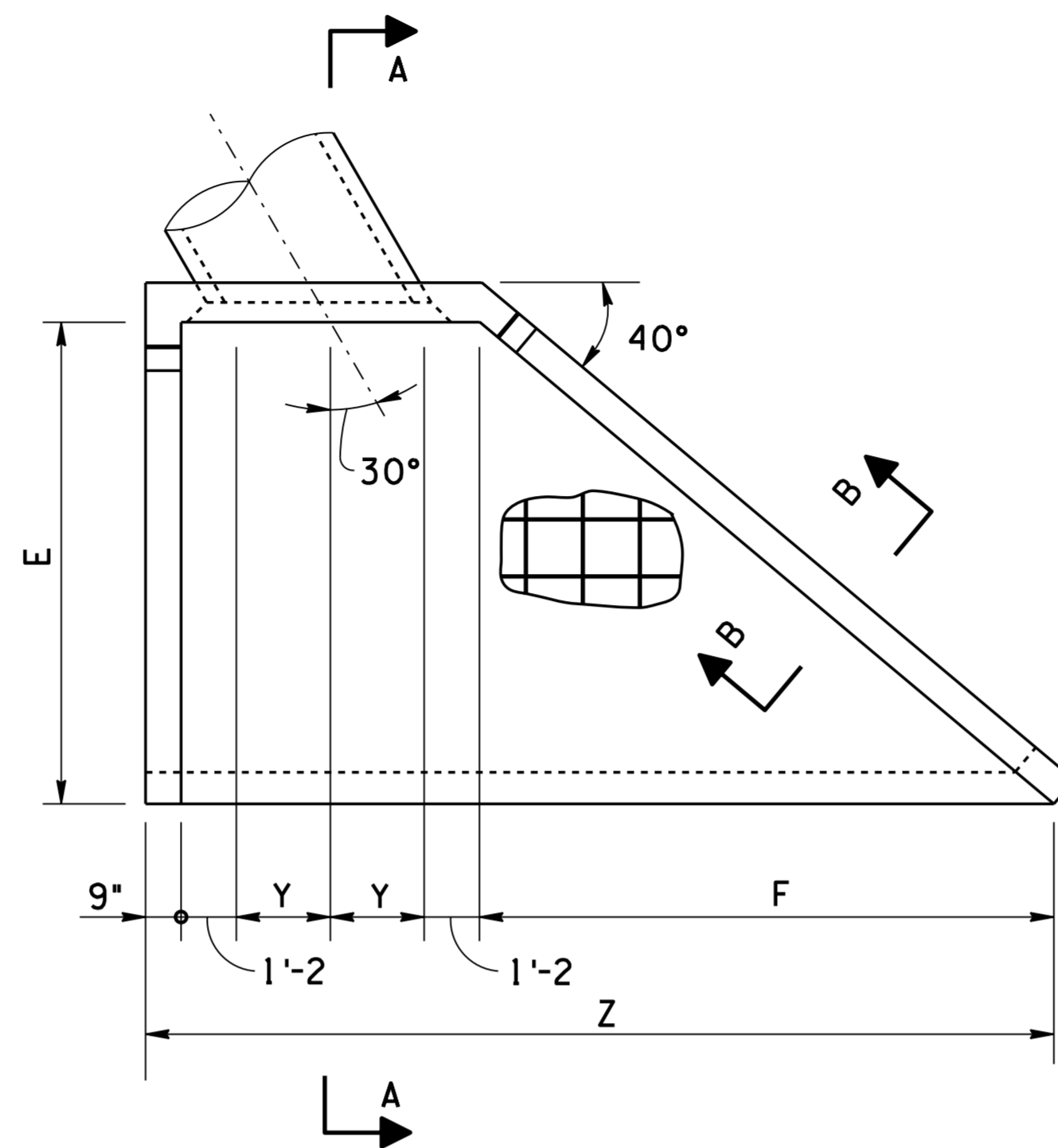


Note to Designer:
 The information presented in this Standard Detail has been prepared in accordance with recognized engineering principles and is for general use. It should not be used for specific application without competent professional examination and verification of its suitability and applicability by a licensed professional engineer. Contents within the inner border line shall not be altered.

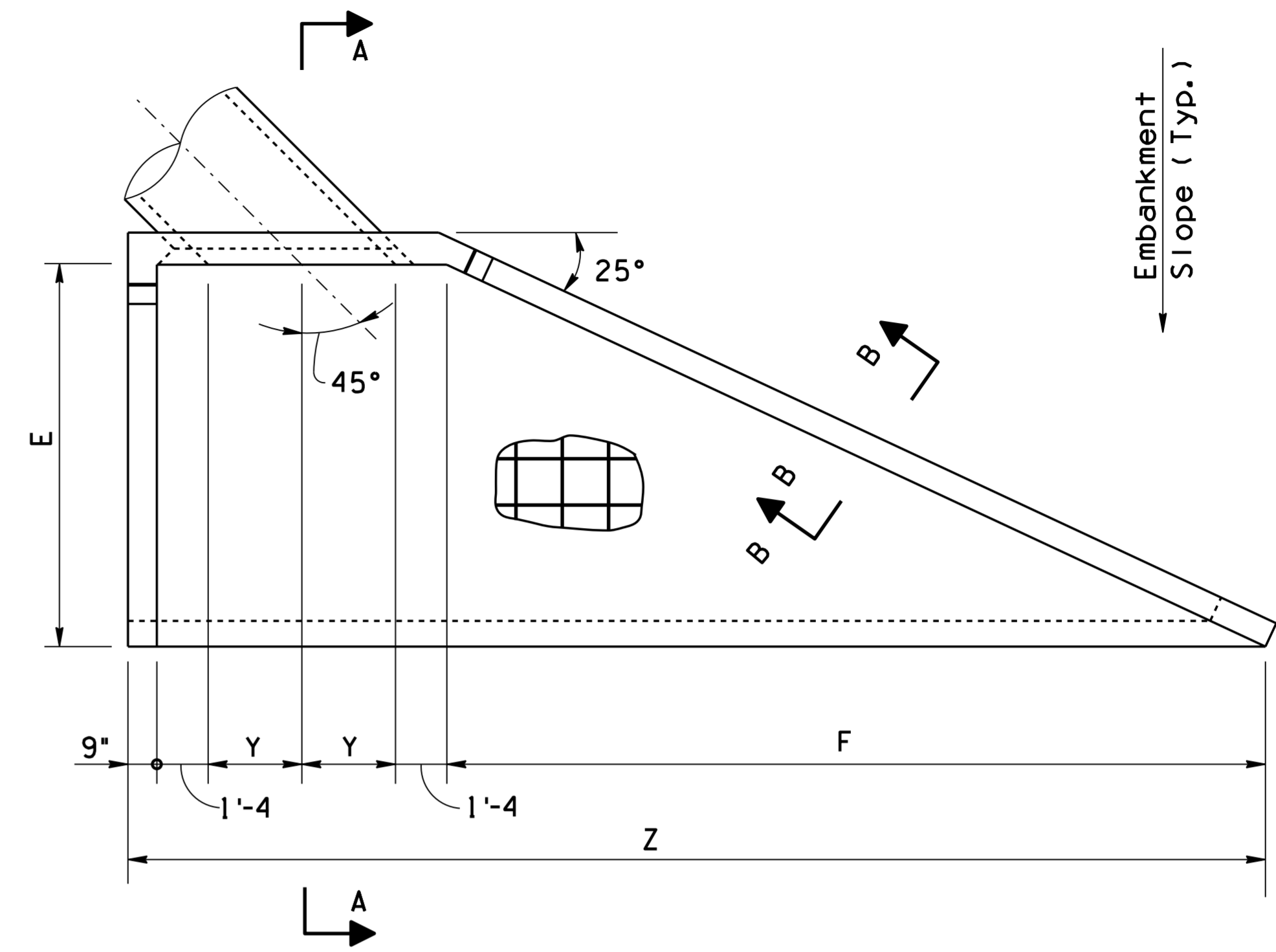
NO.	DATE	DESCRIPTION OF REVISIONS
1	7-12	Original Issue
2		
3		
4		



PLAN - 15° SKEW



PLAN - 30° SKEW



PLAN - 45° SKEW

D	H	15° Skew									30° Skew					45° Skew							
		Dimensions						Conc. C.Y.	Reinf. Lbs.	Dimensions					Conc. C.Y.	Reinf. Lbs.	Dimensions					Conc. C.Y.	Reinf. Lbs.
		E	F	G	X	Y	Z			E	F	X	Y	Z			E	F	X	Y	Z		
48°	6'-2	8'-2	6'-10 1/4	1'-5 1/4	1'-7	2'-0 7/8	14'-5 1/4	6.6	450	6'-9	8'-0 1/2	2'-3	2'-3 3/4	15'-9	6.8	425	6'-4	13'-7	2'-6	2'-10	22'-8	8.7	520
54°	6'-8	9'-0	7'-6 5/8	1'-7	1'-8	2'-4	15'-9 5/8	7.5	540	7'-6	8'-11 1/4	2'-5	2'-7 1/8	17'-2 1/2	7.8	515	7'-0	15'-0 1/8	2'-8	3'-2 1/8	24'-9 3/8	9.7	635
60°	7'-2	9'-10	8'-3	1'-8 3/4	1'-9	2'-7	17'-1 3/4	8.5	625	8'-3	9'-10	2'-6	2'-10 5/8	18'-8 1/4	8.9	605	7'-8	16'-5 1/4	2'-10	3'-6 3/8	26'-11	11.3	755
66°	7'-8	10'-8	8'-11 3/8	1'-10 5/8	1'-10	2'-10 1/8	18'-6 1/4	9.7	715	9'-0	10'-8 3/4	2'-8	3'-2 1/8	20'-2	10.0	700	8'-4	17'-10 1/2	3'-0	3'-10 5/8	29'-0 3/4	12.8	870
72°	8'-2	11'-6	9'-7 3/4	2'-0 1/2	1'-11	3'-1 1/4	19'-10 3/4	10.6	800	9'-9	11'-7 3/8	2'-9	3'-5 5/8	21'-7 5/8	11.2	790	9'-0	19'-3 5/8	3'-2	4'-2 1/8	31'-2 3/8	14.3	985
78°	8'-8	12'-4	10'-4 1/8	2'-4 1/4	2'-0	3'-4 3/8	21'-5 1/8	11.8	890	10'-6	12'-6 1/8	2'-11	3'-9	23'-1 1/8	12.4	880	9'-8	20'-8 3/4	3'-4	4'-7 1/8	33'-4	15.9	1105
84°	9'-2	13'-2	11'-0 5/8	2'-3 3/8	2'-1	3'-7 1/2	22'-7 1/2	13.0	975	11'-3	13'-4 1/8	3'-0	4'-0 1/2	24'-6 1/8	13.7	970	10'-4	22'-1 1/8	3'-6	4'-11 3/8	35'-5 5/8	17.5	1220
48°	6'-2	14'-3	11'-11 1/2	2'-6 1/8	2'-4	2'-0 1/8	20'-7 5/8	11.7	770	11'-0	13'-1 1/4	3'-3	2'-3 3/4	20'-9 3/4	11.0	680	10'-6	22'-6 1/4	3'-3	2'-10	31'-7 1/4	15.5	915
54°	6'-8	15'-6	13'-0 1/8	2'-8 3/4	2'-6	2'-4	22'-4 1/8	13.4	930	12'-0	14'-3 5/8	3'-6	2'-7 1/8	22'-6 7/8	12.6	815	11'-3	24'-1 1/2	3'-7	3'-2 1/8	33'-10 3/4	16.5	1085
60°	7'-2	16'-9	14'-0 5/8	2'-11 1/2	2'-9	2'-7	24'-2 1/8	15.2	1085	13'-0	15'-5 1/8	3'-9	2'-10 5/8	24'-4 1/8	14.3	955	12'-0	25'-8 3/4	3'-11	3'-6 3/8	36'-2 1/2	18.5	1255
66°	7'-8	18'-0	15'-1 1/4	3'-2 1/8	2'-11	2'-10 1/8	25'-11 5/8	17.2	1245	14'-0	16'-8 1/4	4'-0	3'-2 1/8	26'-1 1/2	16.2	1090	12'-9	27'-4 1/8	4'-3	3'-10 5/8	38'-6 3/8	20.7	1425
72°	8'-2	19'-3	16'-1 1/8	3'-4 3/4	3'-1	3'-1 1/4	27'-9 1/8	19.2	1400	15'-0	17'-10 1/2	4'-3	3'-5 5/8	27'-10 3/4	18.1	1225	13'-6	28'-11 3/8	4'-6	4'-2 1/8	40'-10 1/8	22.8	1595
78°	8'-8	20'-6	17'-2 3/8	3'-7 3/8	3'-4	3'-4 3/8	29'-6 1/2	21.5	1560	16'-0	19'-0 1/8	4'-6	3'-9	29'-7 1/8	20.1	1365	14'-3	30'-6 3/4	4'-10	4'-7 1/8	43'-2	25.2	1765
84°	9'-2	21'-9	18'-3	3'-10	3'-6	3'-7 1/2	31'-4	23.7	1715	17'-0	20'-3 1/8	4'-9	4'-0 1/2	31'-5 1/8	22.3	1500	15'-0	32'-2	5'-2	4'-11 3/8	45'-5 1/2	27.7	1935
48°	6'-2	18'-0	15'-1 1/4	3'-2 1/8	3'-3	2'-0 1/8	24'-5 1/8	16.1	1040	13'-0	15'-5 1/8	3'-9	2'-3 3/4	23'-2 3/8	13.4	820	12'-0	25'-8 3/4	4'-0	2'-10	34'-9 3/4	17.5	1150
54°	6'-8	19'-6	16'-4 3/8	3'-5 1/4	3'-5	2'-4	26'-5 5/8	18.4	1250	14'-4	17'-1	4'-1	2'-7 1/8	25'-4 1/4	15.9	1000	13'-0	27'-10 1/2	4'-4	3'-2 1/8	37'-7 3/4	20.1	1370
60°	7'-2	21'-0	17'-7 1/2	3'-8 3/8	3'-8	2'-7	28'-5 1/8	20.9	1455	15'-8	18'-8	4'-4	2'-10 5/8	27'-6 1/4	18.0	1185	14'-0	30'-0 1/4	4'-8	3'-6 3/8	40'-6	22.8	1585
66°	7'-8	22'-6	18'-10 1/2	3'-11 1/8	3'-10	2'-10 1/8	30'-6 3/8	23.5	1665	17'-0	20'-3 1/8	4'-8	3'-2 1/8	29'-8 3/4	20.6	1370	15'-0	32'-2	5'-0	3'-10 5/8	43'-4 1/4	25.7	1805
72°	8'-2	24'-0	20'-1 1/8	4'-2 1/4	4'-1	3'-1 1/4	32'-6 3/8	26.3	1870	18'-4	21'-10 1/8	4'-11	3'-5 3/8	31'-10 3/8	23.2	1550	16'-0	34'-3 3/4	5'-4	4'-2 1/8	46'-2 1/2	28.7	2025
78°	8'-8	25'-6	21'-4 3/4	4'-6	4'-3	3'-4 3/8	34'-7 1/2	29.2	2080	19'-8	23'-5 1/4	5'-3	3'-9	34'-0 1/4	26.1	1730	17'-0	36'-5 1/2	5'-8	4'-7 1/8	49'-0 3/4	31.9	2240
84°	9'-2	27'-0	22'-7 1/8	4'-9 1/8	4'-6	3'-7 1/2	36'-8	31.2	2285	21'-0	25'-0 3/8	5'-6	4'-0 1/2	36'-2 3/8	29.0	1915	18'-0	38'-7 1/4	6'-0	4'-11 3/8	51'-11	35.3	2460

NOTE:

For Wingwall Elevation, Detail A, and Section A-A and B-B see Dwg. (3 of 5).

NOTE:

For General Notes, Dimensions, Quantities and additional Details, see SD 6.30 (1 to 3 & 5).

DESIGN APPROVED <i>Shafiq U. Hasan</i>	ARIZONA DEPARTMENT OF TRANSPORTATION INFRASTRUCTURE DELIVERY AND OPERATIONS DIVISION BRIDGE GROUP STRUCTURE DETAIL
APPROVED FOR DISTRIBUTION <i>Teon A. Nehme</i>	PIPE CULVERT HEADWALLS SKEWED INLET AND OUTLET 48° to 84° PIPES
ROUTE	PROJECT NO.
LOCATION	FA NO.
	DRAWING NO. SD 6.30 (4 of 5)
	SHEET NO. OF