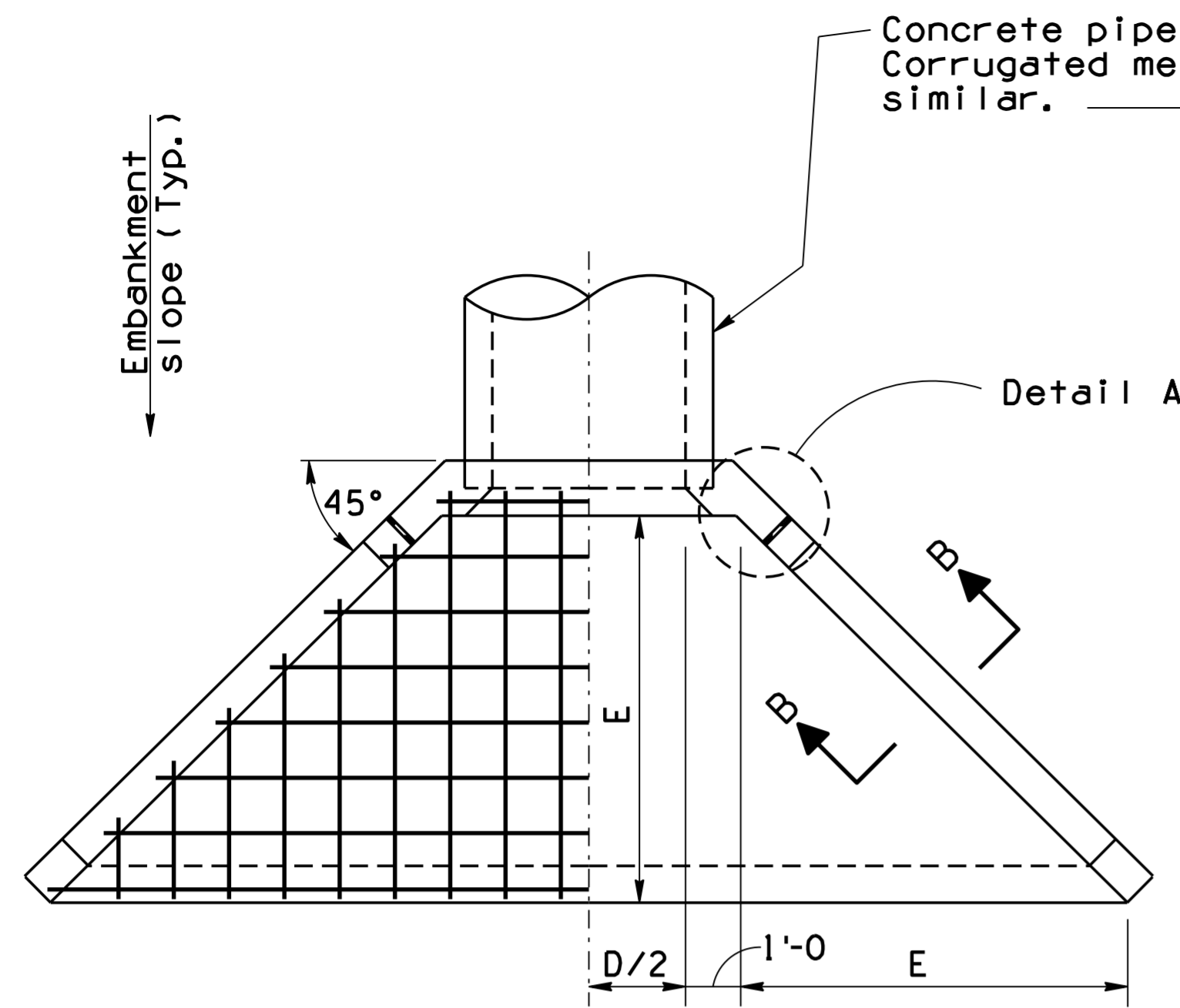
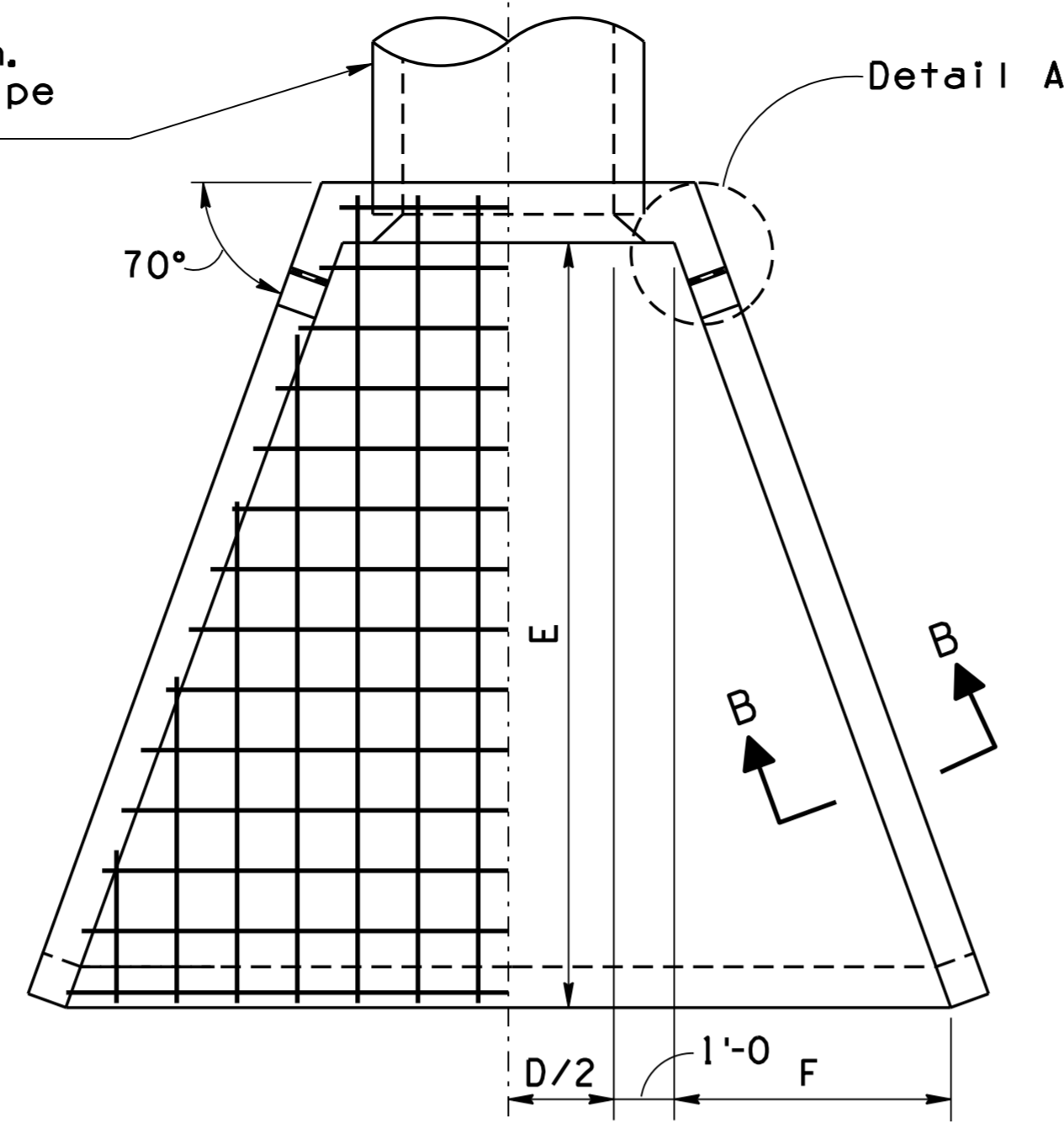


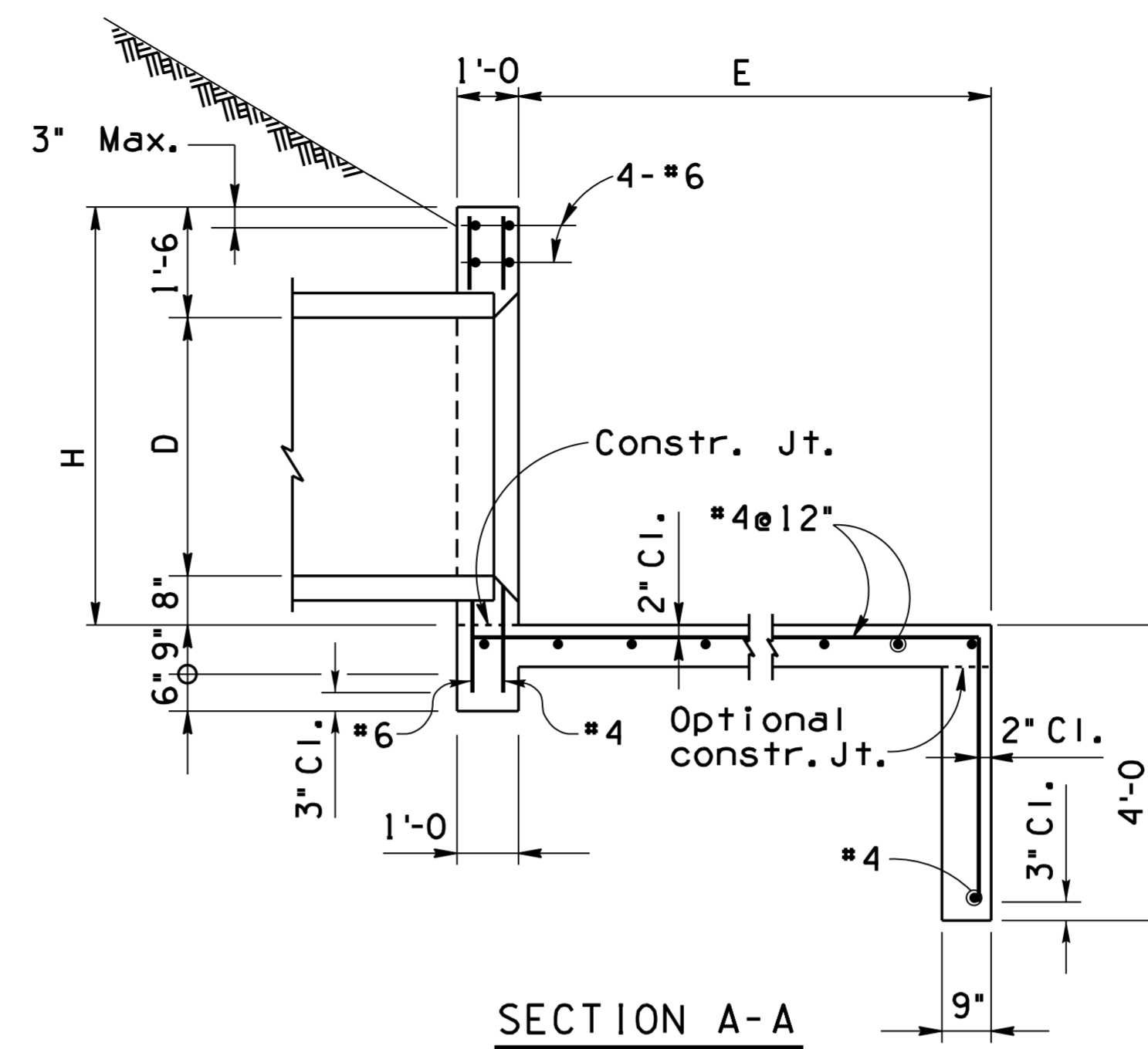
Note to Designer:
 The information presented in this Standard Detail has been prepared in accordance with recognized engineering principles and is for general use. It should not be used for specific application without competent professional examination and verification of its suitability and applicability by a licensed professional engineer. Contents within the inner border line shall not be altered.



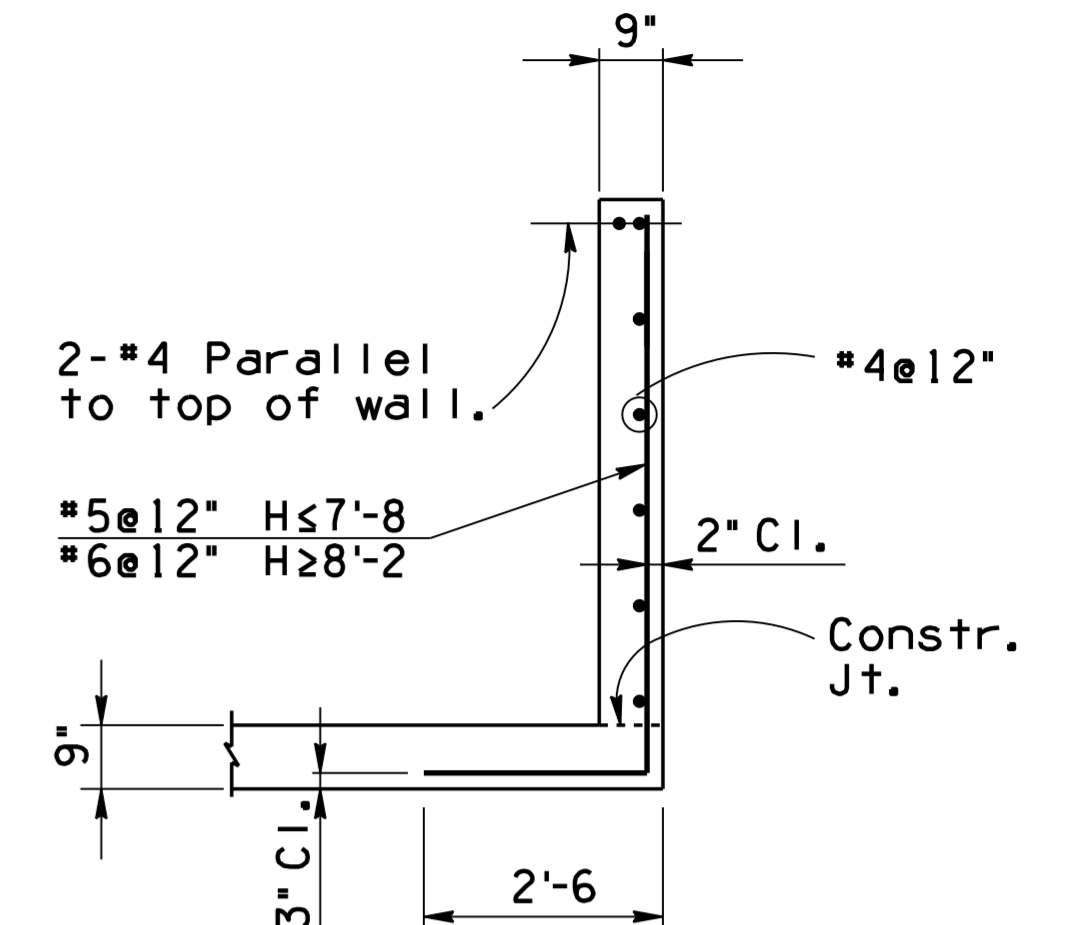
PLAN - INLET HEADWALL



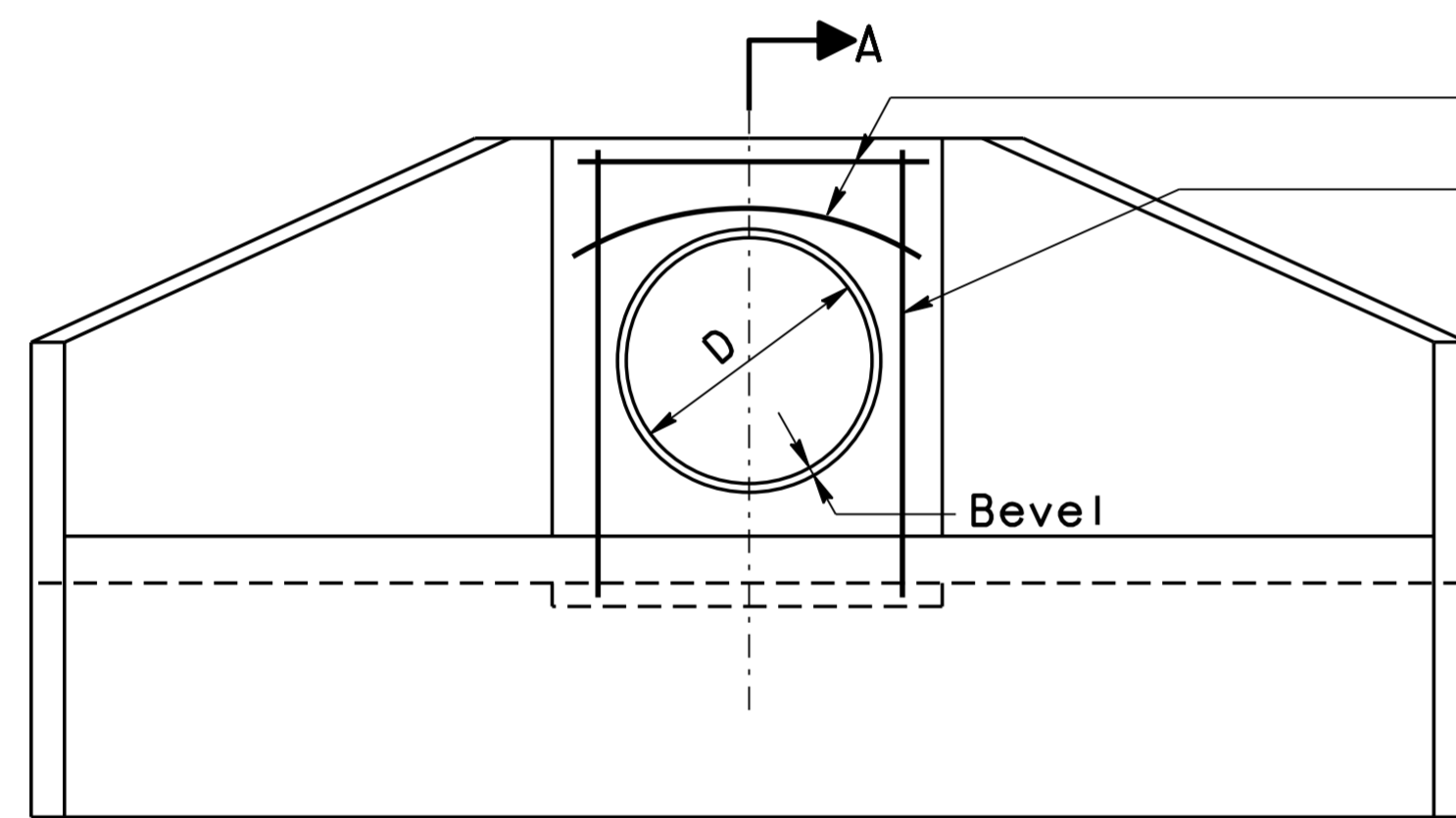
PLAN - OUTLET HEADWALL



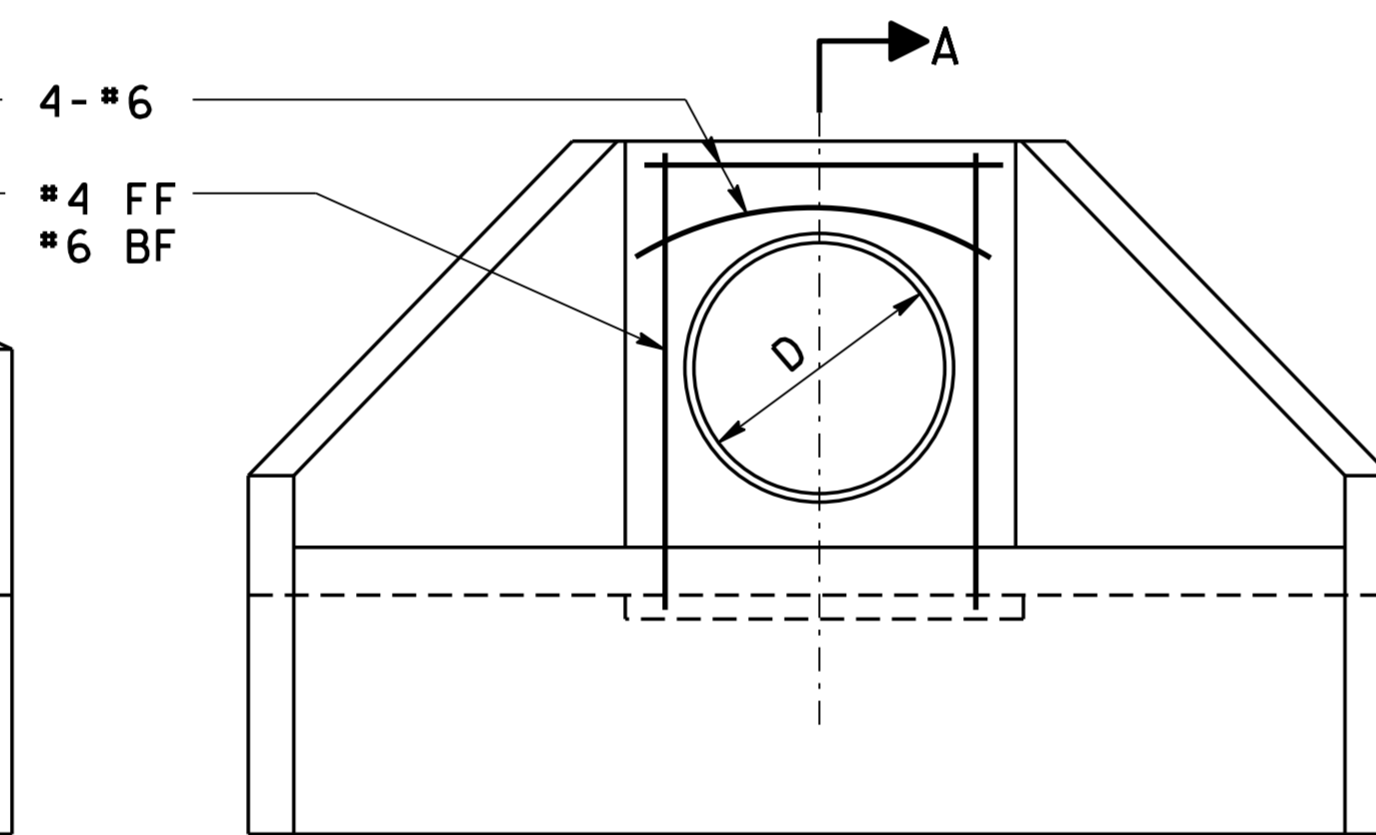
SECTION A-A



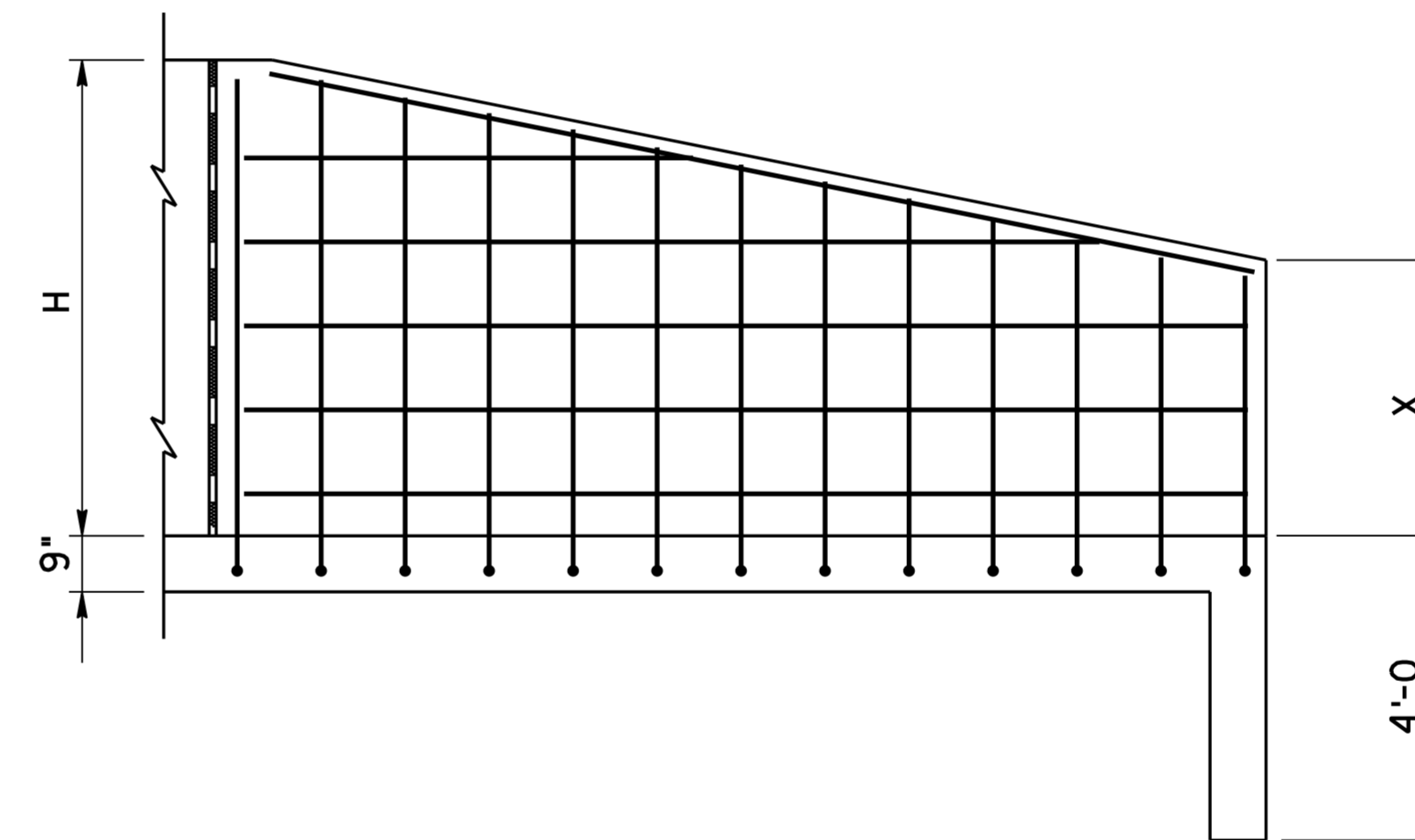
SECTION B-B



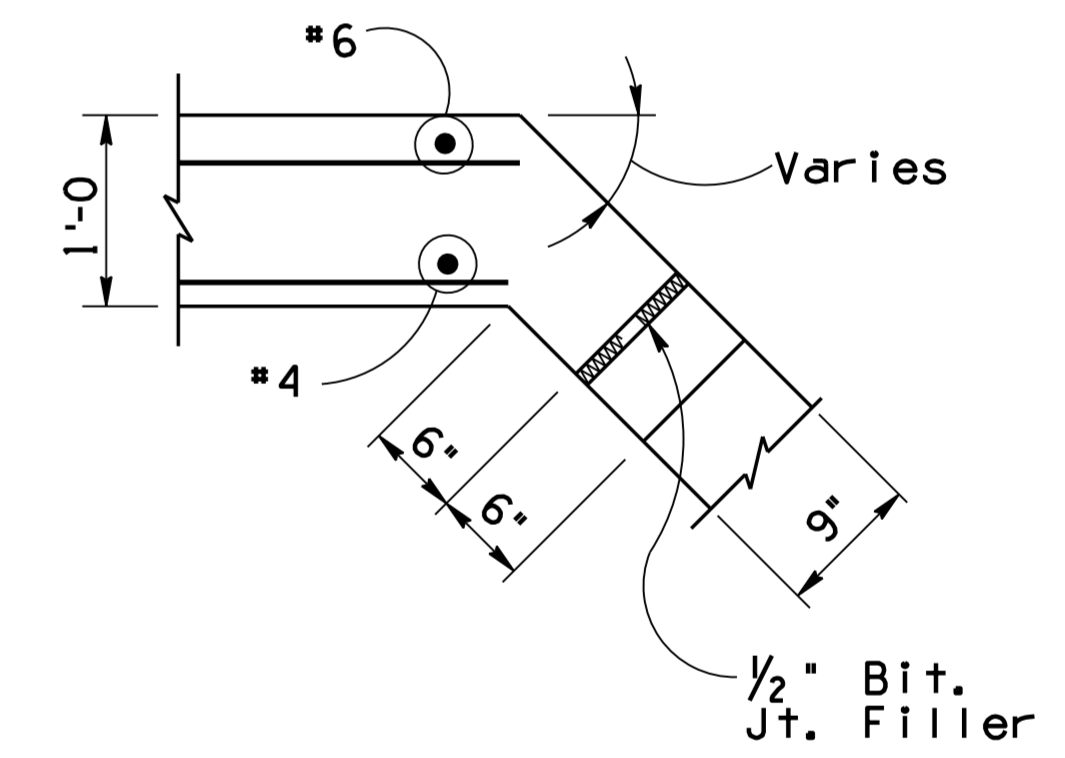
ELEVATION



ELEVATION



WINGWALL ELEVATION



DETAIL A

NOTE:

Bevel is required only on Inlet Headwalls.
 Bell end of concrete pipe may replace bevel.
 For CMP use anchor bolts @ 18" as shown on Dwg. (1 of 5).

NOTE:

For General Notes, Dimensions, Quantities and additional Details, see SD 6.30 (1, 2 & 4, 5).

D	H	INLET END											
		2:1 Slope			4:1 Slope			6:1 Slope					
		Dimensions	Conc.	Reinf.	Dimensions	Conc.	Reinf.	Dimensions	Conc.	Reinf.			
E	X	C. Y.	Lbs.	E	X	C. Y.	Lbs.	E	X	C. Y.	Lbs.		
48"	6'-2	5'-4	3'-0	6.6	395	7'-8	4'-0	9.4	570	9'-0	4'-6	11.2	680
54"	6'-8	5'-10	3'-3	7.6	445	8'-4	4'-4	10.8	630	9'-8	4'-10	12.9	745
60"	7'-2	6'-4	3'-6	8.6	490	9'-0	4'-8	12.2	725	10'-4	5'-3	14.3	835
66"	7'-8	6'-10	3'-9	9.7	555	9'-8	5'-0	13.8	810	11'-0	5'-7	16.0	940
72"	8'-2	7'-4	4'-0	10.8	700	10'-4	5'-4	15.5	1010	11'-8	6'-0	17.8	1195
78"	8'-8	7'-10	4'-3	12.1	795	11'-0	5'-8	17.2	1140	12'-4	6'-5	19.7	1305
84"	9'-2	8'-4	4'-6	13.3	875	11'-8	6'-0	19.0	1250	13'-0	6'-10	21.7	1435

D	H	OUTLET END												
		2:1 Slope			4:1 Slope			6:1 Slope						
		Dimensions	Conc.	Reinf.	Dimensions	Conc.	Reinf.	Dimensions	Conc.	Reinf.				
E	F	X	C. Y.	Lbs.	E	F	X	C. Y.	Lbs.	E	F	X	C. Y.	Lbs.
8'-8	3'-2	1'-4	7.0	430	13'-8	5'-0	2'-6	10.8	665	16'-0	5'-10	3'-4	13.0	790
9'-4	3'-5	1'-6	7.9	475	14'-8	5'-4	2'-9	12.3	750	17'-4	6'-4	3'-7	15.0	925
10'-0	3'-8	1'-8	8.9	510	15'-8	5'-8	3'-0	13.9	830	18'-8	6'-10	3'-10	17.1	1020
10'-8	3'-11	1'-10	10.0	570	16'-8	6'-1	3'-3	15.6	915	20'-0	7'-3	4'-2	19.3	1160
11'-4	4'-2	2'-0	11.1	720	17'-8	6'-5	3'-6	17.4	1155	21'-4	7'-9	4'-5	21.7	1475
12'-0	4'-4	2'-2	12.2	780	18'-8	6'-10	3'-9	19.7	1315	22'-8	8'-3	4'-9	24.3	1655
12'-8	4'-7	2'-4	13.5	865	19'-8	7'-2	4'-0	21.3	1430	24'-0	8'-9	5'-0	27.0	1795

NO.	DESCRIPTION OF REVISIONS	DATE
1	Original Issue	7-12
2		
3		
4		

DESIGN APPROVED <i>Shafiq U. Hasan</i>	ARIZONA DEPARTMENT OF TRANSPORTATION INFRASTRUCTURE DELIVERY AND OPERATIONS DIVISION BRIDGE GROUP STRUCTURE DETAIL
APPROVED FOR DISTRIBUTION <i>Teon A. Nehme</i>	PIPE CULVERT HEADWALLS RIGHT ANGLE INLET AND OUTLET 48" to 84" PIPES
ROUTE	PROJECT NO.
LOCATION	FA NO.
	DRAWING NO. SD 6.30 (3 of 5)
	SHEET NO. OF