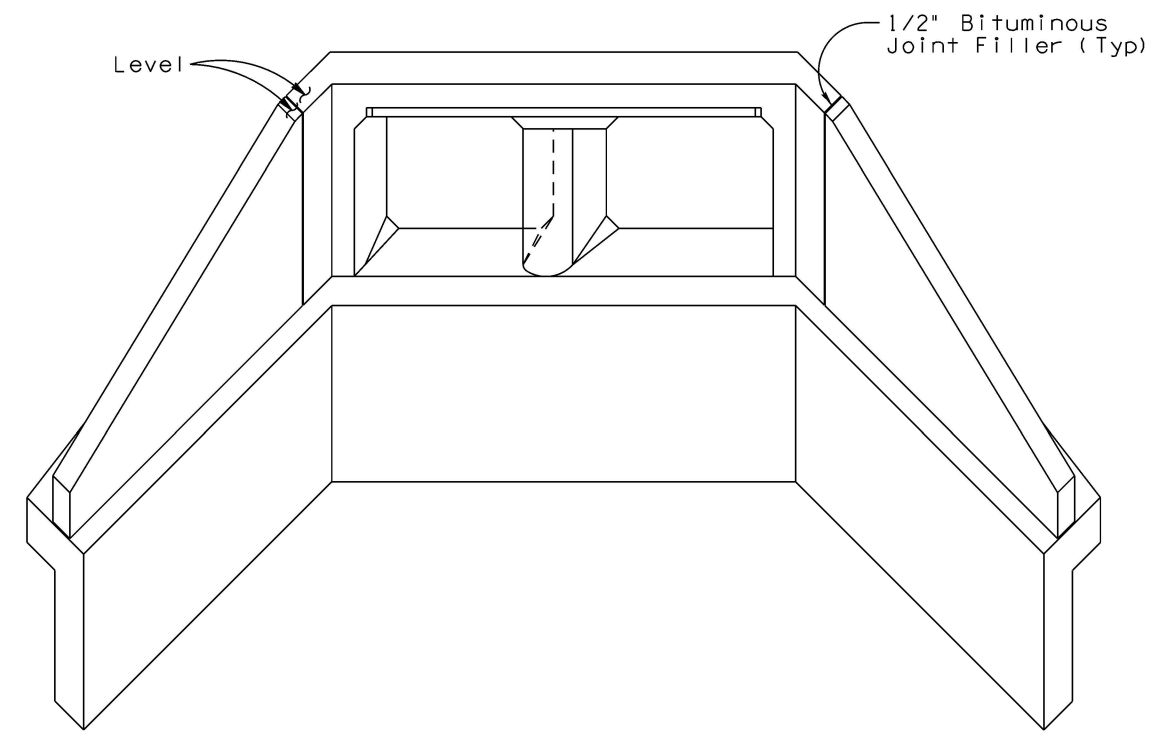
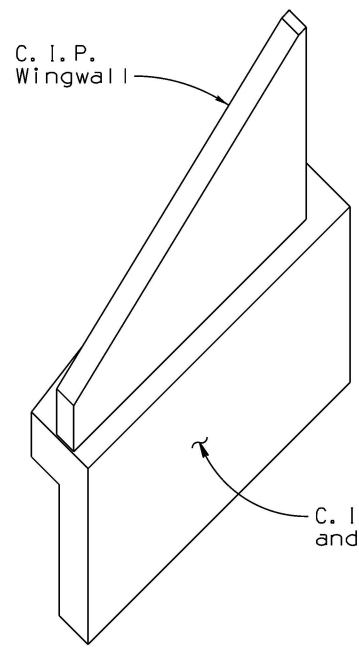


Note to Designer: The information presented in this Standard Drawing has been prepared in accordance with recognized engineering principles and is for general use. It should not be used for specific application without competent professional examination and verification of its suitability and applicability by a licensed professional engineer. Contents within the inner border line shall not be altered.

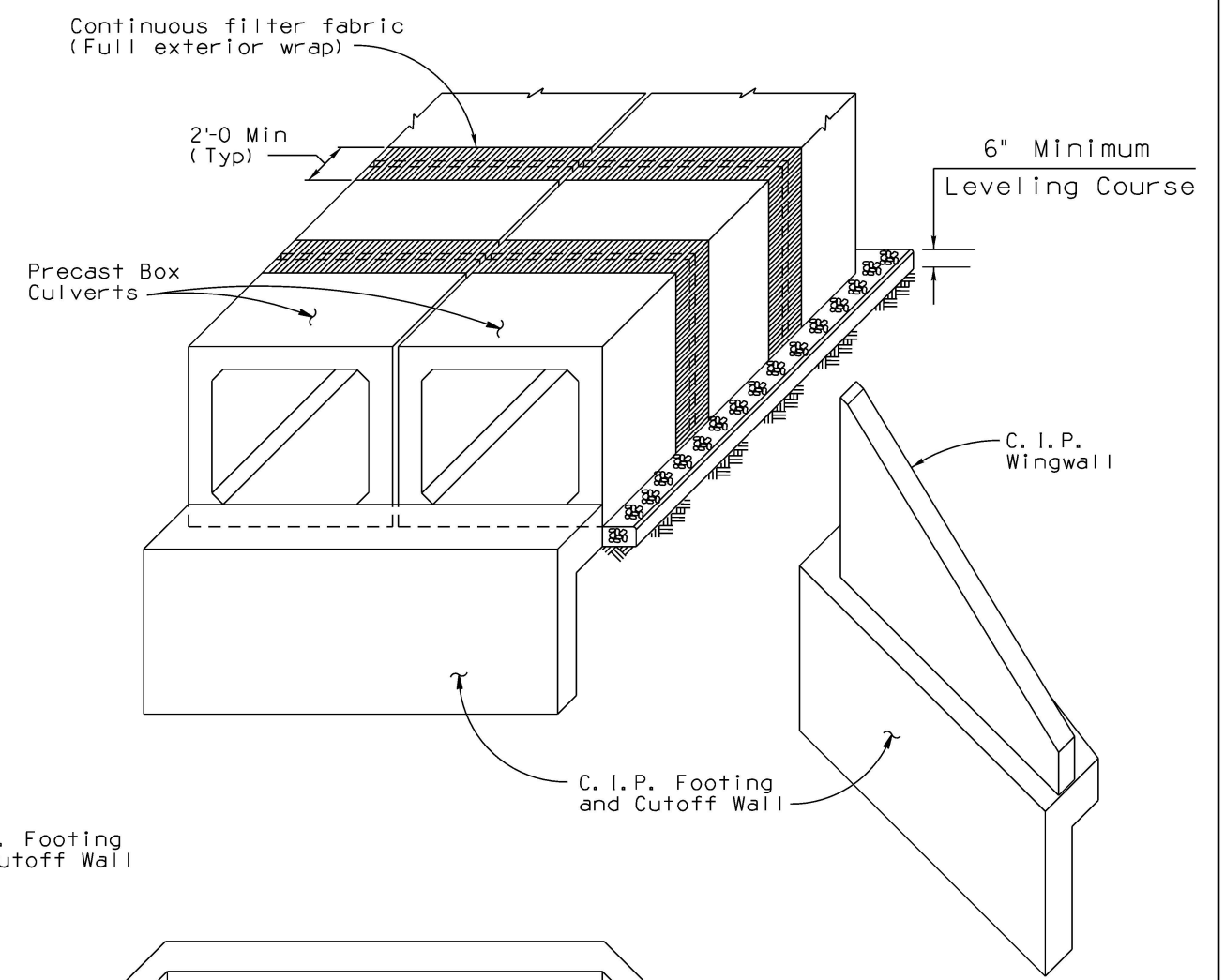
PRIOR DISTRIBUTION DATE 02/23



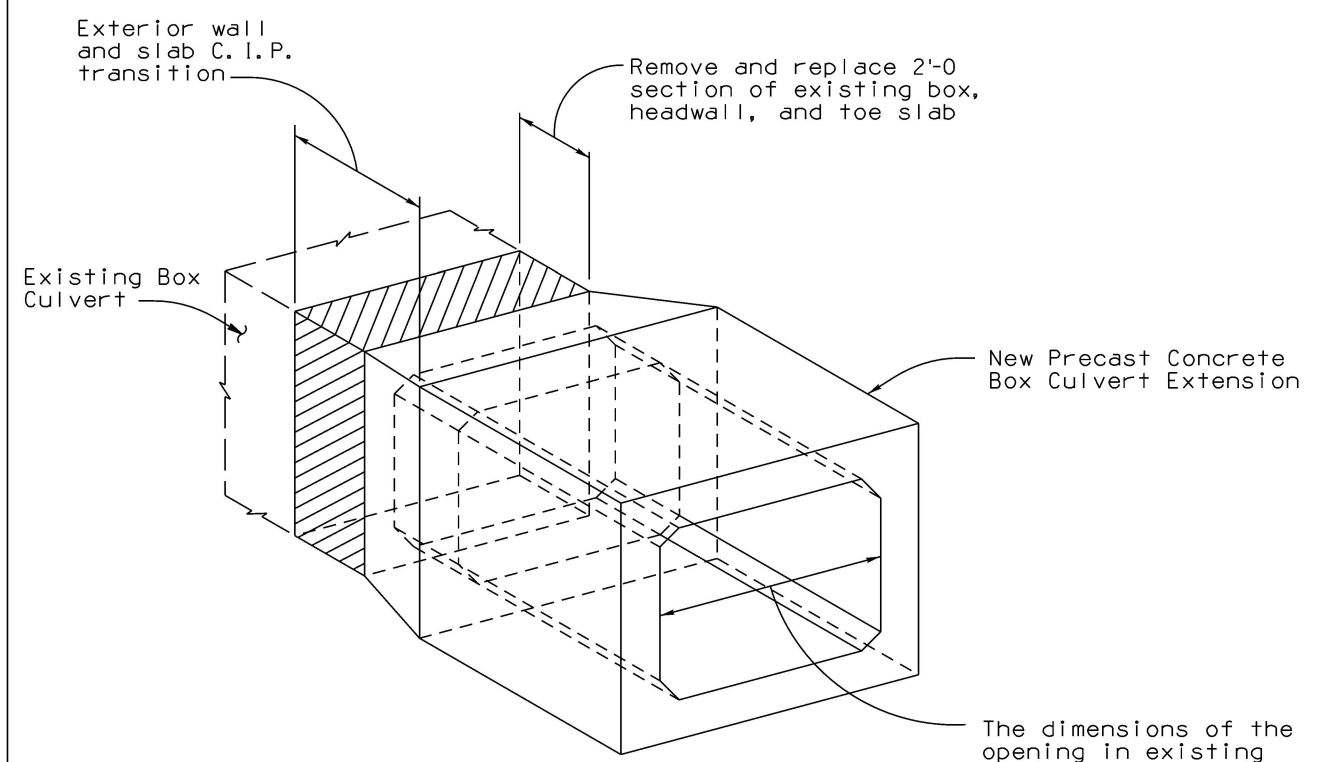
3D VIEW OF CAST-IN-PLACE END SECTION
 (Double barrel culvert shown. Single or multiple barrels similar)



C. I. P. Wingwall
 C. I. P. Footing and Cutoff Wall



C. I. P. END SECTION
 (OUTLET SHOWN, INLET SIMILAR)



PICTORIAL VIEW OF EXTERIOR WALL AND SLAB TRANSITION

VIEW OF CONNECTIONS AT END OF CULVERT

STANDARDS ENGINEER B. SINGH RECOMMENDED FOR APPROVAL GROUP MANAGER	ARIZONA DEPARTMENT OF TRANSPORTATION INFRASTRUCTURE DELIVERY AND OPERATIONS DIVISION BRIDGE GROUP STANDARD DRAWING	
APPROVED D. BENTON STANDARDS COMMITTEE APPROVED FOR DISTRIBUTION	PRECAST REINFORCED CONCRETE BOX CULVERTS END SECTION & CONNECTION DETAILS	DRAWING NO. SD 6.20 (3 of 5)
DATE 10/24		