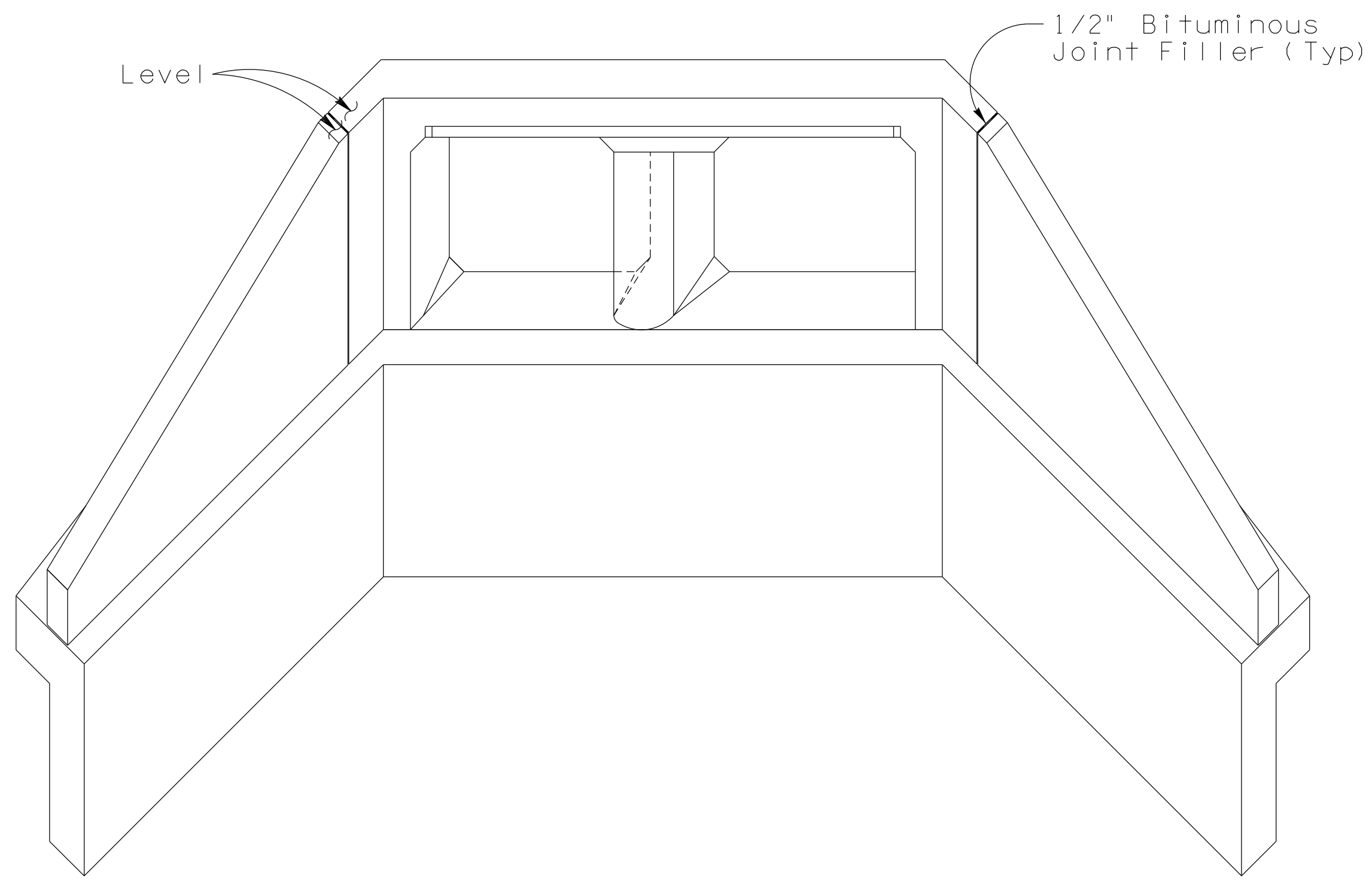
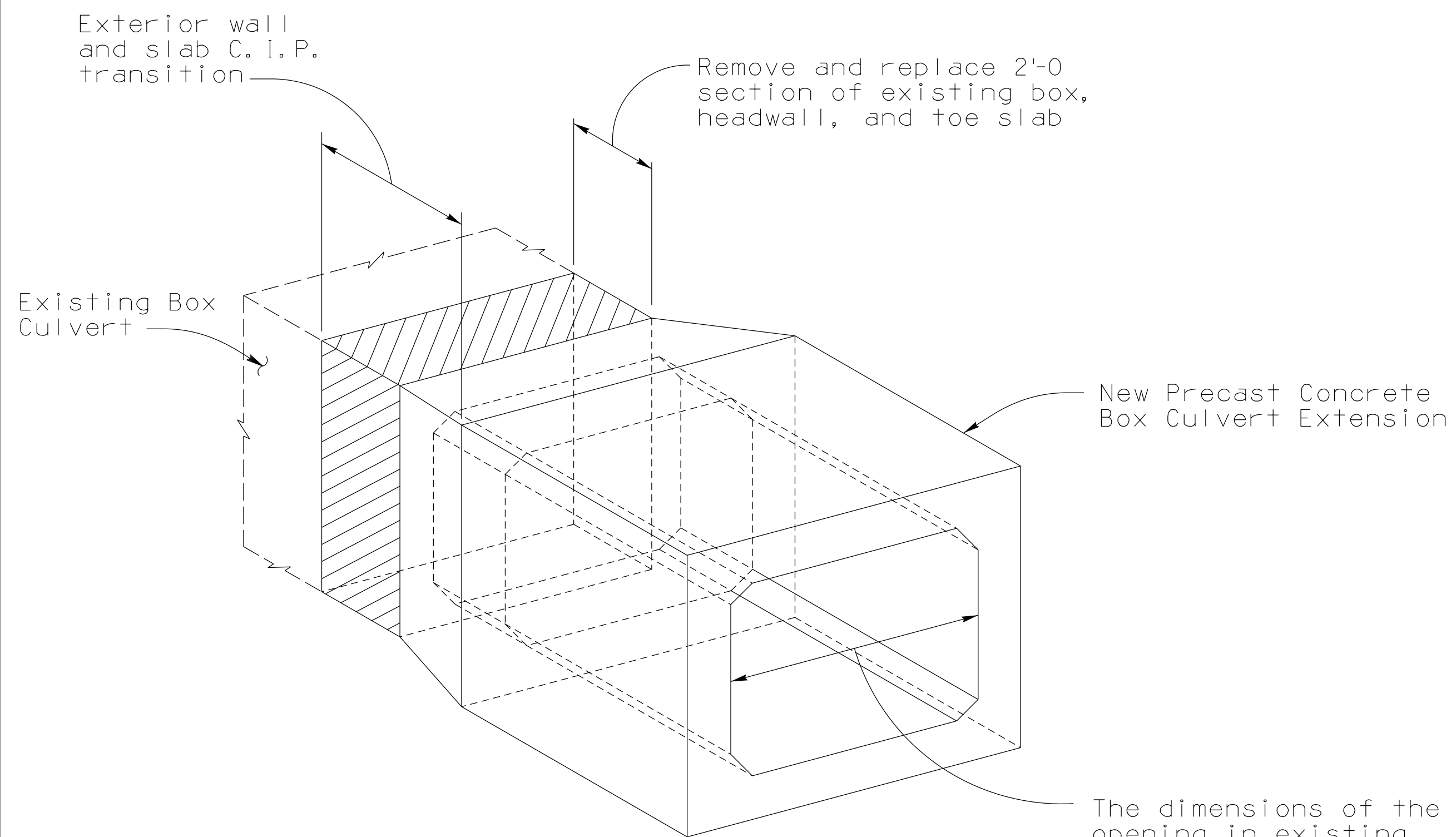


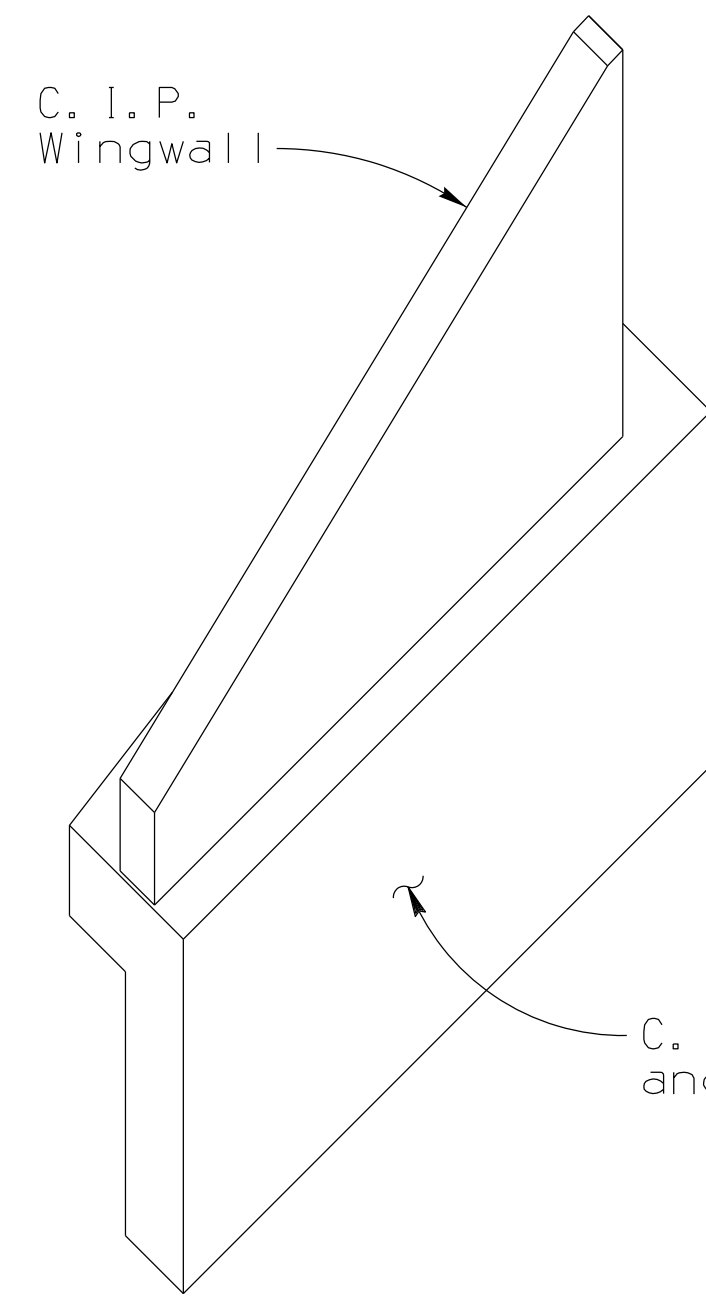
Note to Designer:  
 The information presented in this Standard Drawing has been prepared in accordance with recognized engineering principles and is for general use. It should not be used for specific application without competent professional examination and verification of its suitability and applicability by a licensed professional engineer. Contents within the inner border line shall not be altered.



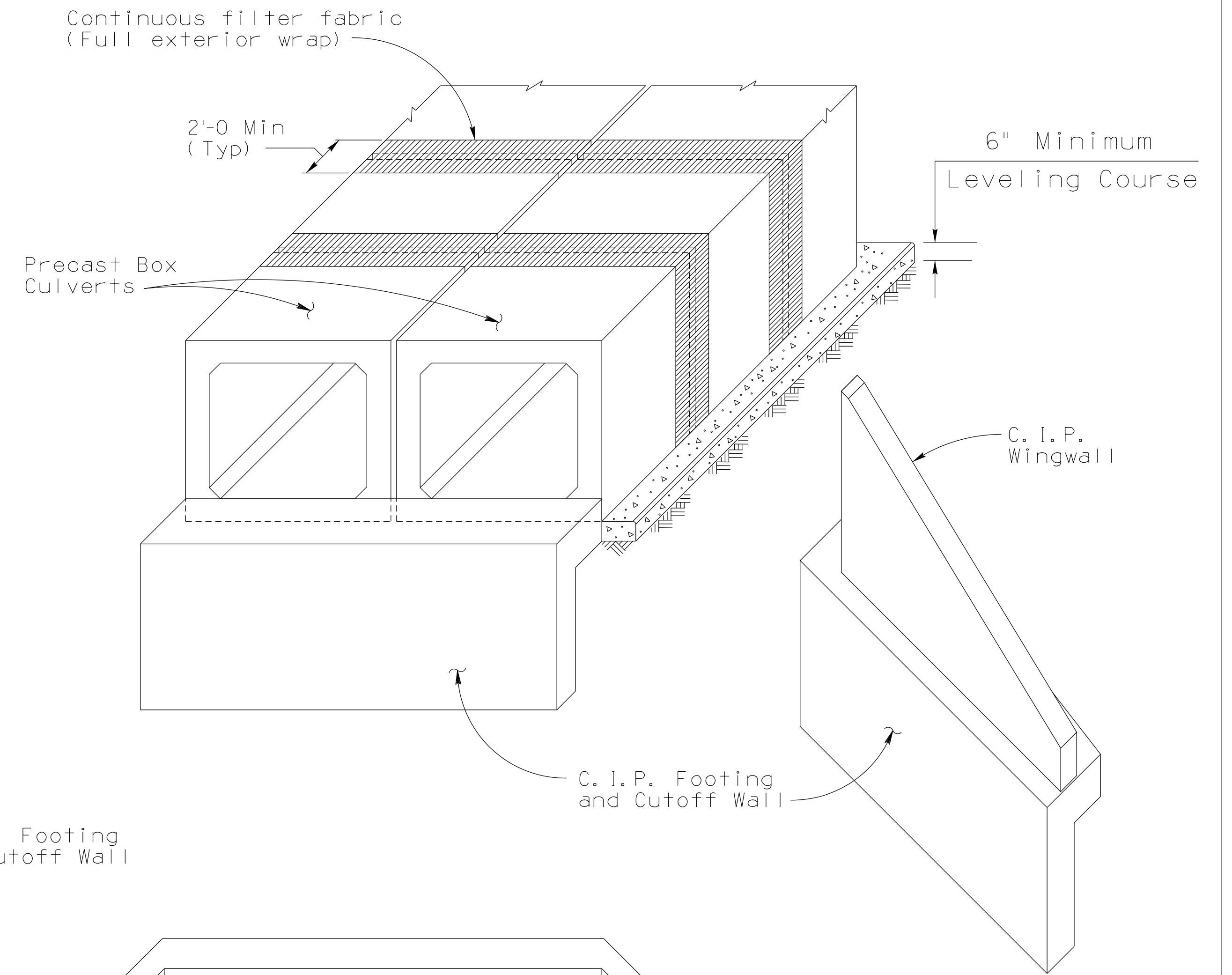
3D VIEW OF CAST-IN-PLACE END SECTION  
 (Double barrel culvert shown. Single or multiple barrels similar)



PICTORIAL VIEW OF EXTERIOR WALL AND SLAB TRANSITION



C.I.P. Footing and Cutoff Wall



C.I.P. END SECTION

VIEW OF CONNECTIONS AT END OF CULVERT

STANDARDS ENGINEER A. ALZUBI	ARIZONA DEPARTMENT OF TRANSPORTATION INFRASTRUCTURE DELIVERY AND OPERATIONS DIVISION <b>BRIDGE GROUP STANDARD DRAWING</b>
RECOMMENDED FOR APPROVAL GROUP MANAGER D. BENTON	
APPROVED	PRECAST REINFORCED CONCRETE BOX CULVERTS
STANDARDS COMMITTEE APPROVED FOR DISTRIBUTION	END SECTION & CONNECTION DETAILS
DATE 02/23	DRAWING NO. SD 6,20 (3 of 5)

PRIOR DISTRIBUTION DATE