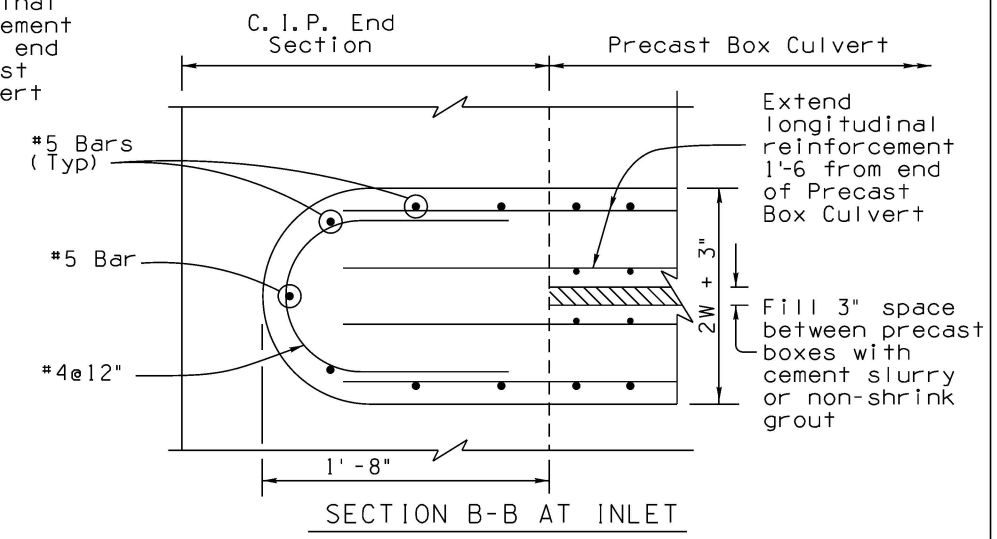
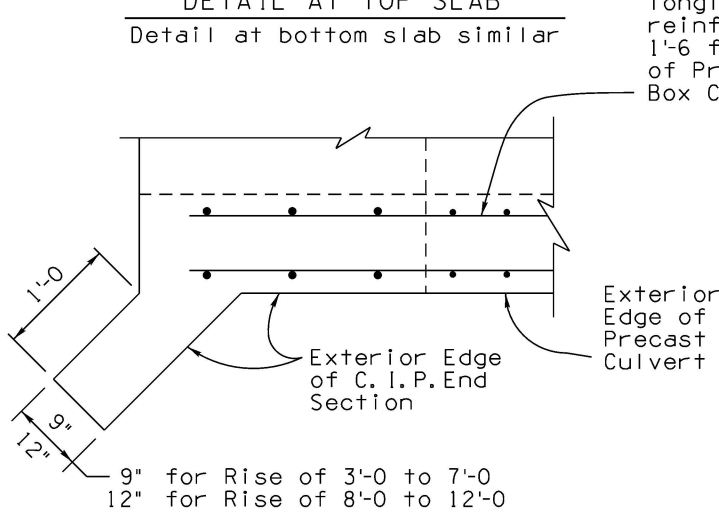
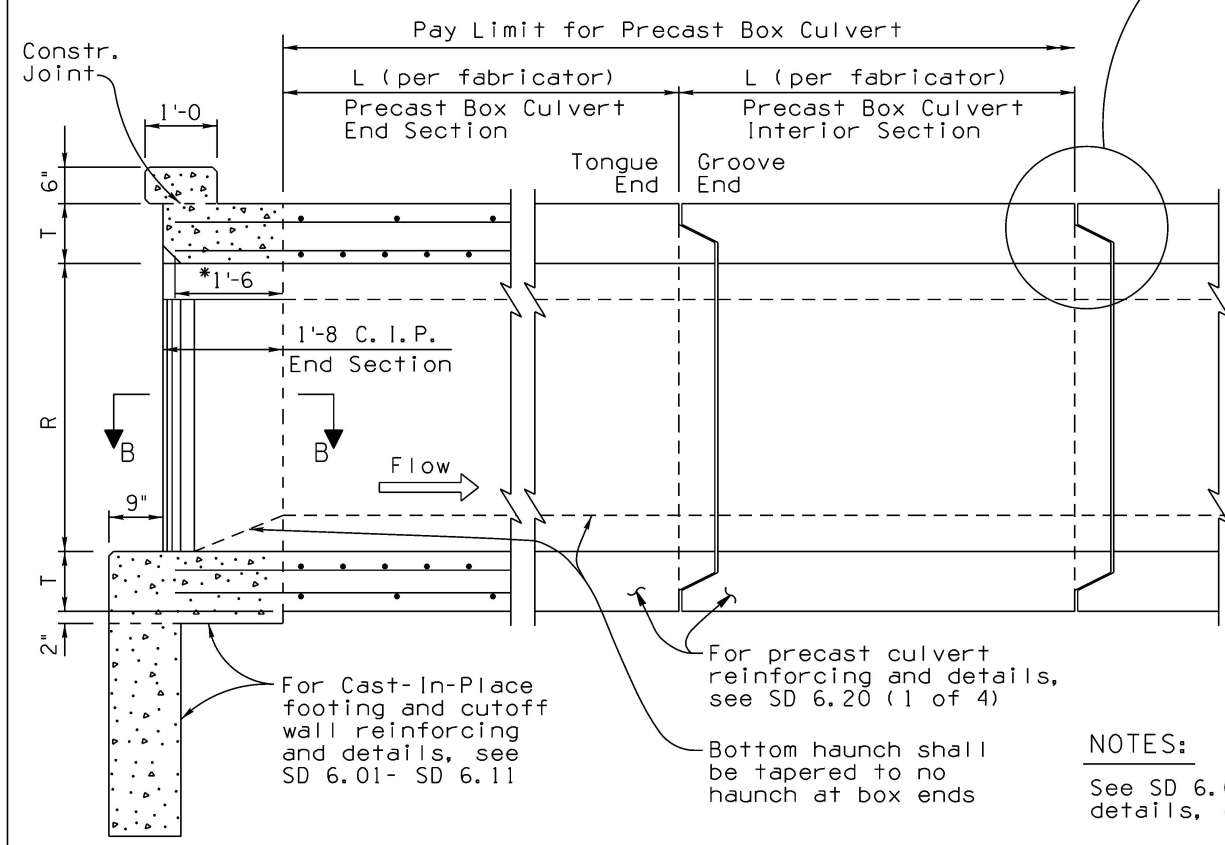
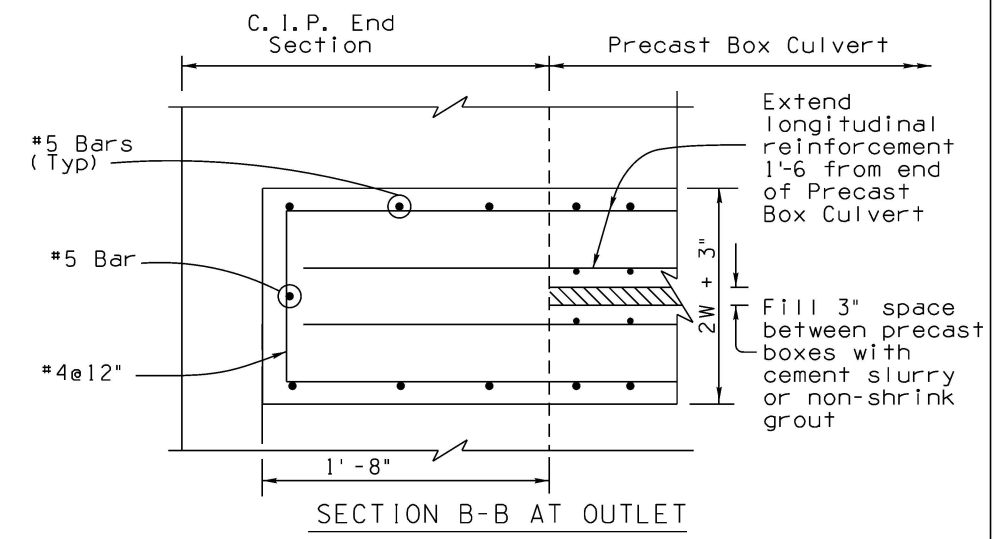
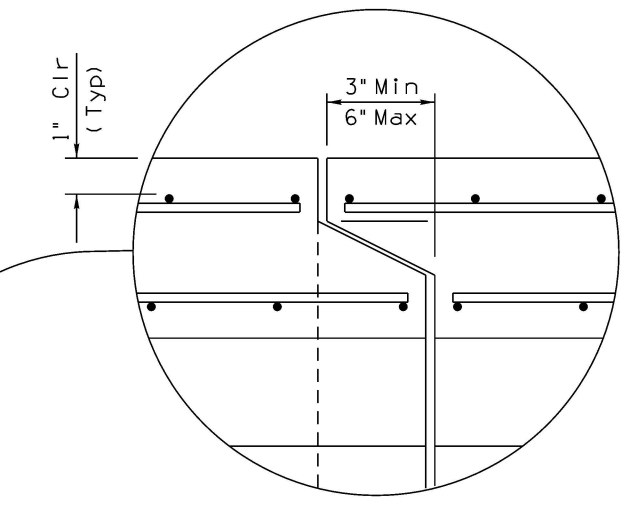
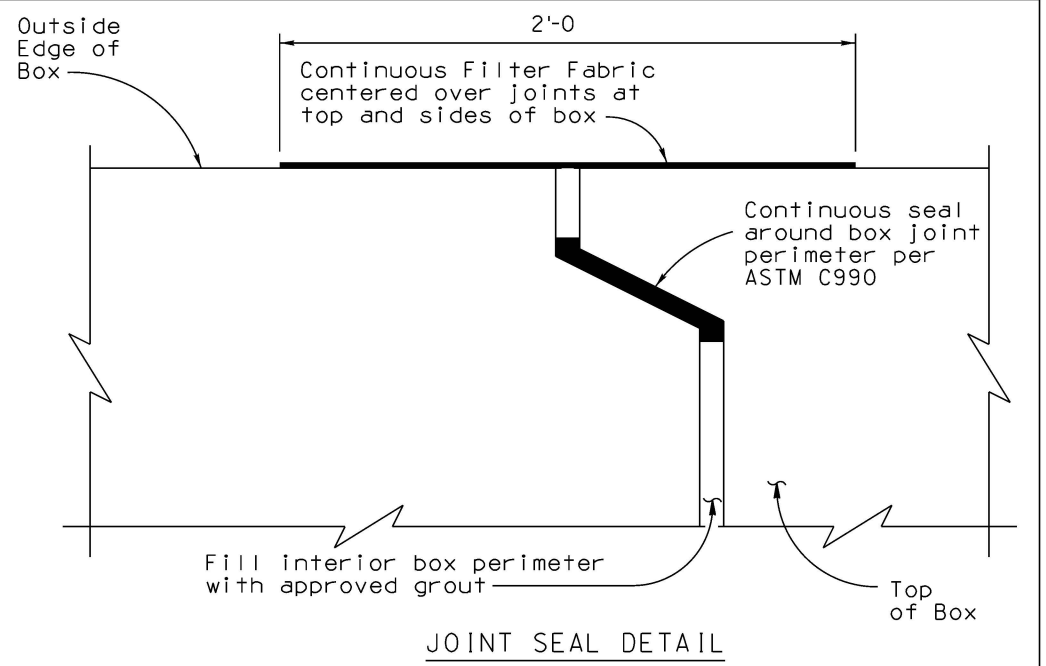
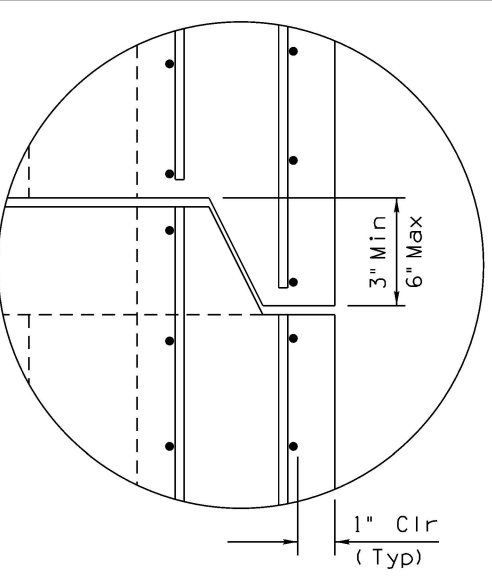
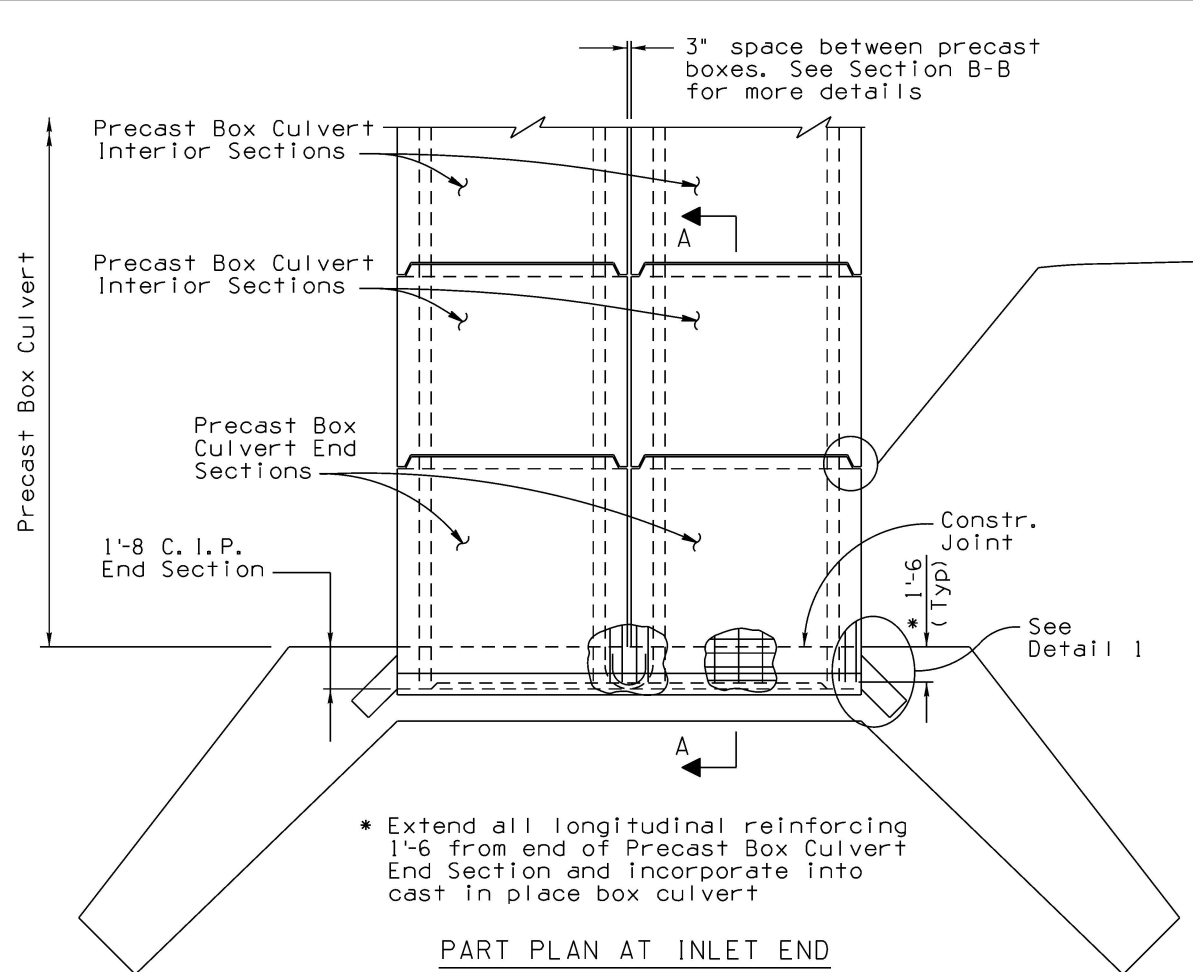


Note to Designer: The information presented in this Standard Drawing has been prepared in accordance with recognized engineering principles and is for general use. It should not be used for specific application without competent professional examination and verification of its suitability and applicability by a licensed professional engineer. Contents within the inner border line shall not be altered.

PRIOR DISTRIBUTION DATE 02/23



NOTES:
 See SD 6.01-SD 6.11 for additional notes, details, dimensions, and quantities.
 Footing for C. I. P. end section shall be continuous with no joints.

STANDARDS ENGINEER B. SINGH	ARIZONA DEPARTMENT OF TRANSPORTATION INFRASTRUCTURE DELIVERY AND OPERATIONS DIVISION BRIDGE GROUP STANDARD DRAWING	
RECOMMENDED FOR APPROVAL GROUP MANAGER D. BENTON		
APPROVED	PRECAST REINFORCED CONCRETE BOX CULVERTS MISCELLANEOUS DETAILS 1	DRAWING NO. SD 6.20 (2 of 5)
STANDARDS COMMITTEE APPROVED FOR DISTRIBUTION	10/24 DATE	