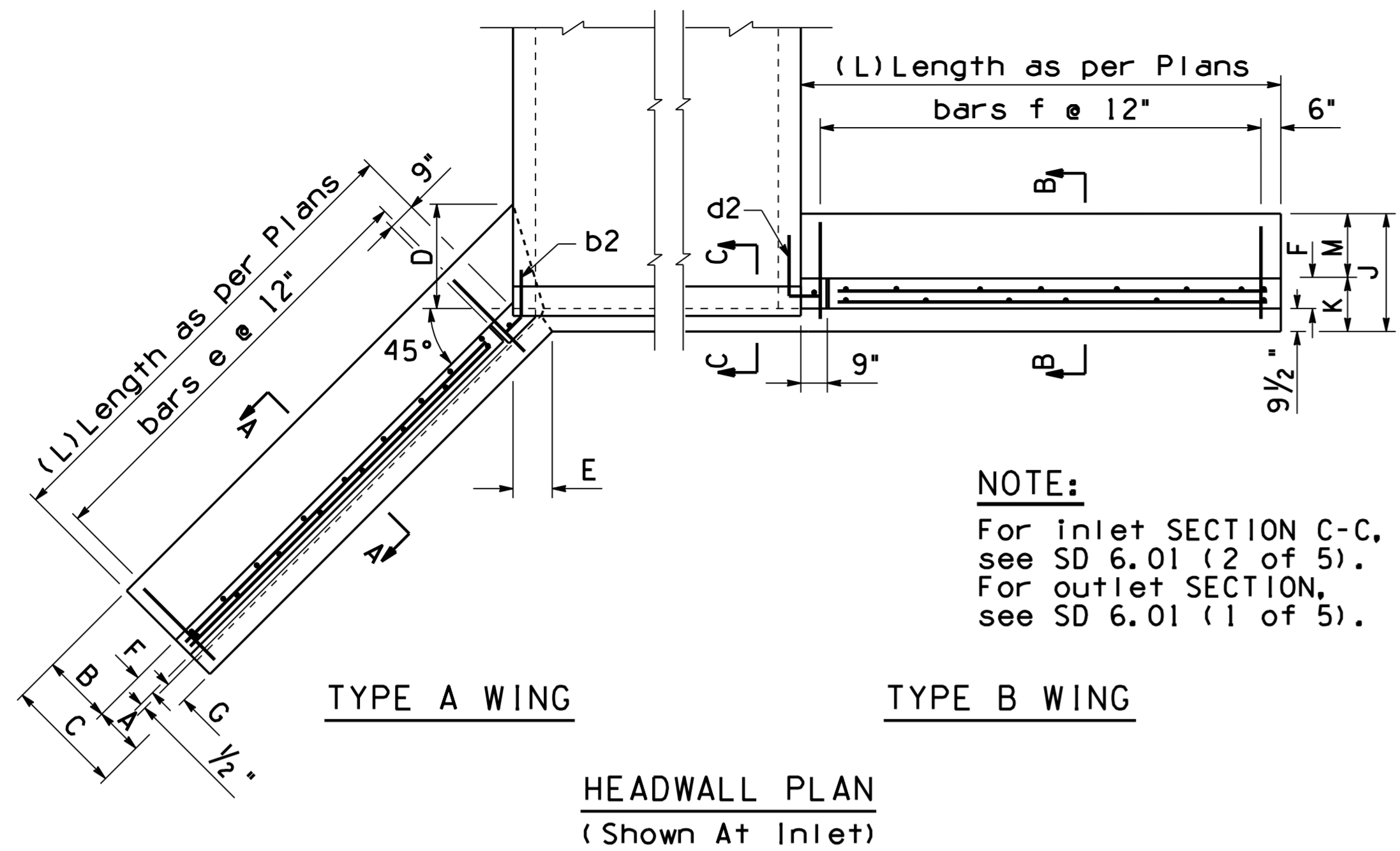


Note to Designer: The information presented in this Standard Detail has been prepared in accordance with recognized engineering principles and is for general use. It should not be used for specific application without competent professional examination and verification of its suitability and applicability by a licensed professional engineer. Contents within the inner border line shall not be altered.

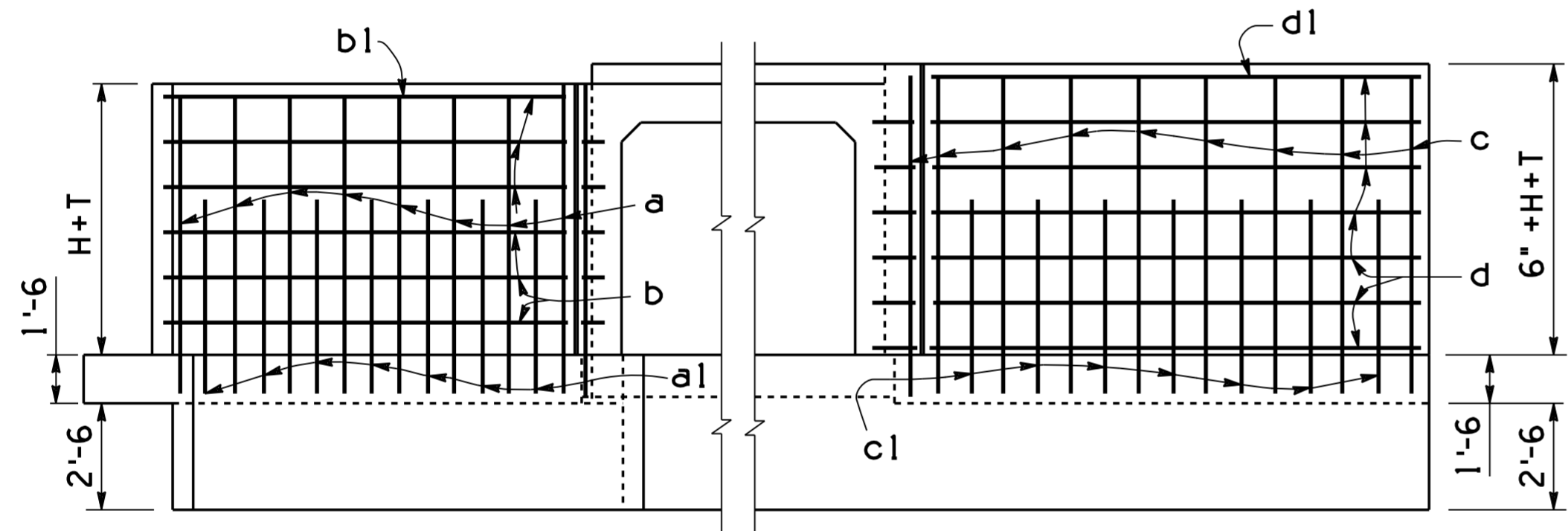
NO.	DESCRIPTION OF REVISIONS	DATE
1	Original Issue	
2		
3		
4		



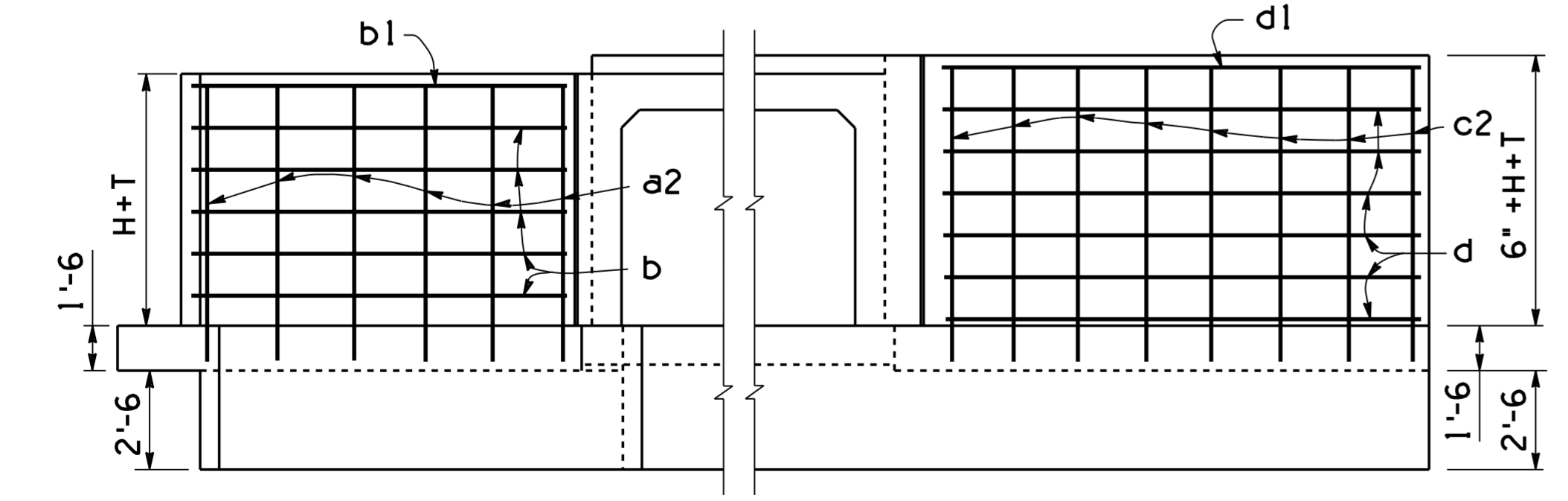
NOTE:
 For inlet SECTION C-C, see SD 6.01 (2 of 5).
 For outlet SECTION, see SD 6.01 (1 of 5).

Height of Opening	A	B	C	D	E	F	G	J	K	M
8'	1'-9"	3'-9"	5'-6"	5'-4"	1'-8 1/4"	11 1/2"	0'-9"	5'-6"	1'-9"	3'-9"
9'	2'-0"	4'-0"	6'-0"	5'-8"	2'-1"	11 1/2"	1'-0"	6'-0"	1'-9"	4'-3"
10'	2'-0"	4'-6"	6'-6"	6'-4"	2'-1"	11 1/2"	1'-0"	6'-6"	1'-9"	4'-9"
11'	2'-4"	4'-8"	7'-0"	6'-7"	2'-6 3/4"	1'-0 1/2"	1'-3"	7'-0"	1'-10"	5'-2"
12'	2'-6"	4'-9"	7'-3"	6'-9"	2'-9 3/4"	1'-1 1/2"	1'-4"	8'-0"	1'-11"	6'-1"

Mark	Bend	8' Height		9' Height		10' Height		11' Height		12' Height						
		No.	Size	No.	Size	No.	Size	No.	Size	No.	Size					
TYPE A WING																
a	A	20	#7	11'-0"	22	#8	12'-3"	24	#6	13'-3"	26	#7	14'-3"	28	#7	15'-3"
a1	A							24	#6	6'-6"	26	#7	6'-9"	28	#7	7'-0"
a2	str.	14	#4	9'-9"	14	#4	11'-0"	16	#4	12'-0"	18	#4	13'-0"	18	#4	14'-0"
b	str.	20	#4	9'-0"	24	#4	10'-0"	28	#4	11'-0"	28	#4	12'-0"	32	#4	13'-0"
b1	str.	4	#6	9'-0"	4	#6	10'-0"	4	#6	11'-0"	4	#6	12'-0"	4	#6	13'-0"
b2	B	12	#4	2'-3"	14	#4	2'-3"	16	#4	2'-3"	16	#4	2'-3"	18	#4	2'-3"
e	str.	20	#5	5'-0"	22	#6	5'-6"	24	#7	6'-0"	26	#7	6'-6"	28	#8	6'-9"
g	B	4	#4	12'-3"	4	#4	13'-9"	4	#4	14'-9"	4	#4	16'-0"	4	#4	17'-0"
m	str.	10	#4	9'-6"	10	#4	10'-6"	10	#4	11'-6"	10	#4	12'-6"	10	#4	13'-6"
TYPE B WING																
c	A	20	#7	11'-6"	22	#8	12'-9"	24	#6	13'-9"	26	#7	14'-9"	28	#7	15'-9"
c1	A							24	#6	6'-6"	26	#7	6'-9"	28	#7	7'-0"
c2	str.	14	#4	10'-3"	14	#4	11'-6"	16	#4	12'-6"	18	#4	13'-6"	18	#4	14'-6"
d	str.	24	#4	9'-0"	28	#4	10'-0"	28	#4	11'-0"	32	#4	12'-0"	36	#4	13'-0"
d1	str.	4	#6	9'-0"	4	#6	10'-0"	4	#6	11'-0"	4	#6	12'-0"	4	#6	13'-0"
d2	D	14	#4	2'-3"	16	#4	2'-3"	16	#4	2'-3"	18	#4	2'-3"	20	#4	2'-3"
f	str.	20	#5	5'-0"	22	#6	5'-6"	24	#7	6'-0"	26	#7	6'-6"	28	#8	7'-6"
gl	str.	4	#4	11'-3"	4	#4	12'-3"	4	#4	13'-3"	4	#4	14'-3"	4	#4	15'-3"
n	str.	10	#4	9'-6"	10	#4	10'-6"	10	#4	11'-6"	10	#4	12'-6"	10	#4	13'-6"

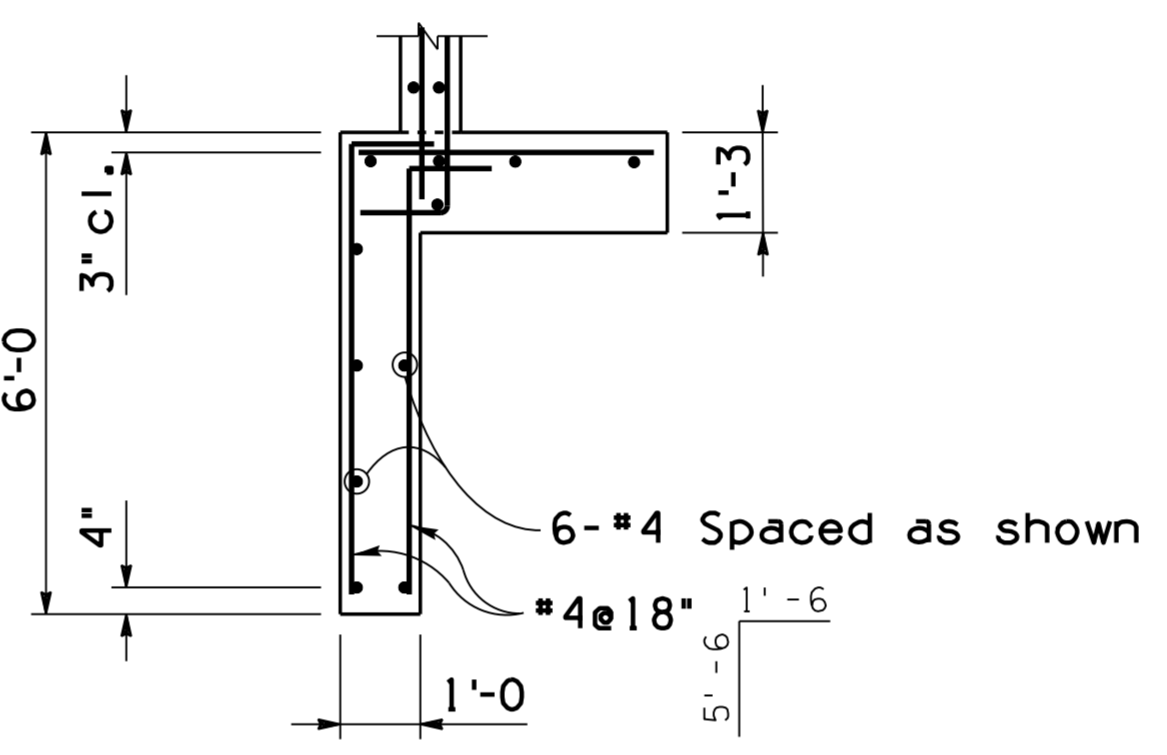


ELEVATION (Back Face Reinf.) (Shown At Inlet)

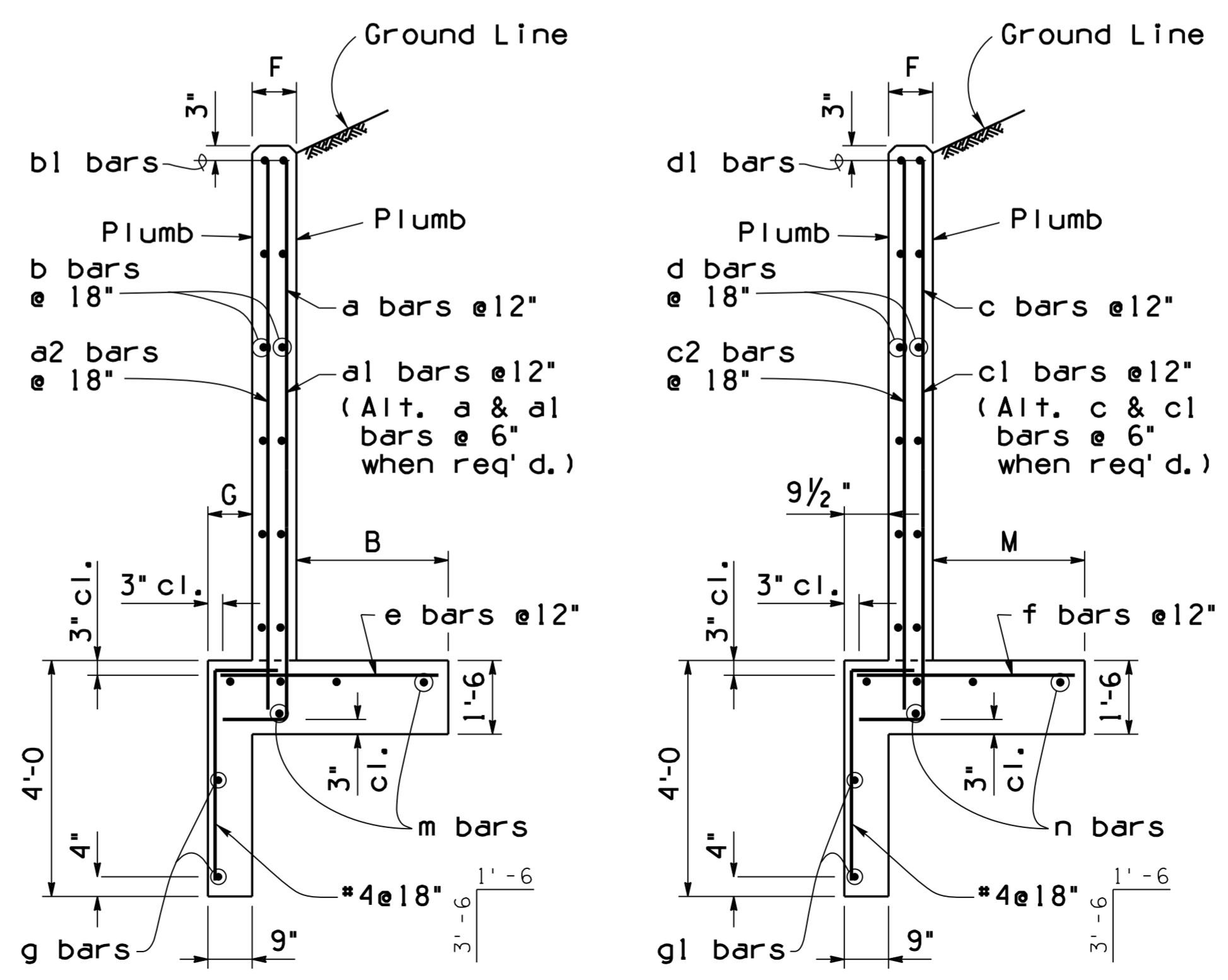


ELEVATION (Front Face Reinf.) (Shown At Inlet)

For details not shown, see SECTION A-A or SECTION B-B.



OUTLET CUT-OFF WALL DETAIL



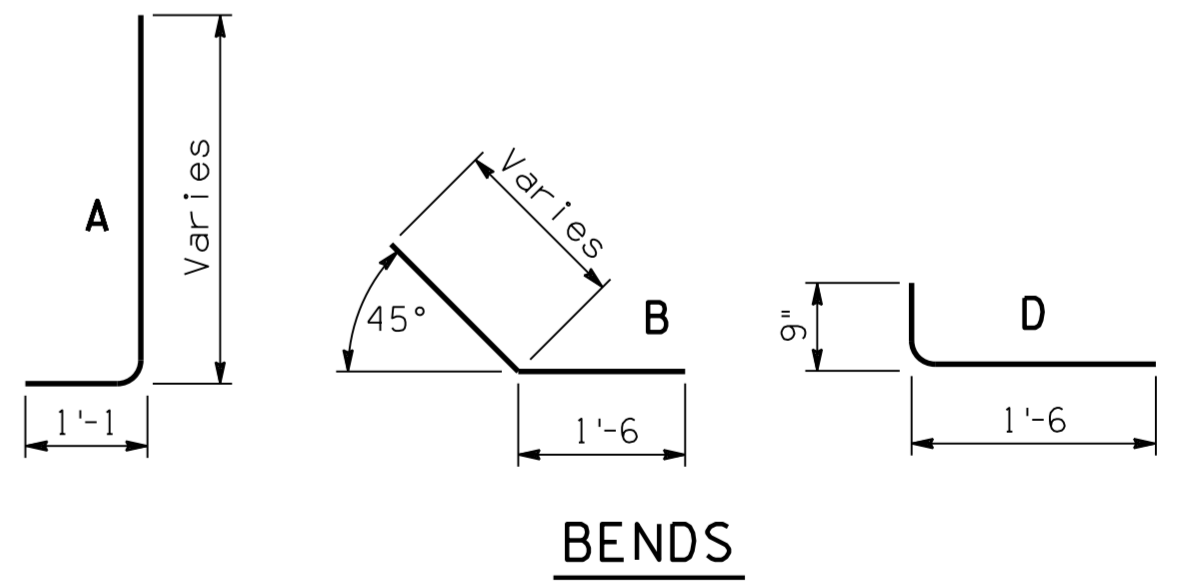
SECTION A-A

SECTION B-B

Span	Height	Hdwl. Type A Wings				Hdwl. Type B Wings			
		For L:H+2'		Per each Add Ft		For L:H+2'		Per each Add Ft	
		Conc.	Steel	Conc.	Steel	Conc.	Steel	Conc.	Steel
8'	8'	15.07	1017	0.682	46	15.05	1095	0.703	49
	9'	15.44	1045	0.690	46	15.41	1128	0.707	49
	10'	18.30	1462	0.753	61	18.18	1556	0.771	63
10'	10'	21.49	1655	0.817	64	21.20	1708	0.835	65
	9'	15.78	1071	0.696	46	15.80	1155	0.714	49
	8'	18.67	1488	0.759	61	18.59	1582	0.777	63
12'	10'	21.86	1680	0.822	64	21.61	1734	0.840	65
	11'	25.95	2197	0.663	78	25.61	2295	0.922	81
	12'	30.03	2596	1.015	87	30.86	2908	1.035	98

* Includes curb and cut-off wall quantities for a single barrel.

8' Spans		10' Spans		12' Spans	
Conc.	Steel	Conc.	Steel	Conc.	Steel
1.114	103	1.370	130	1.625	155



BENDS

NOTE:
 For General Notes, Dimensions, and additional Details, see SD 6.01 (1 & 2 of 5).

DESIGN APPROVED <i>Shafiq U. Hasan</i>	ARIZONA DEPARTMENT OF TRANSPORTATION INFRASTRUCTURE DELIVERY AND OPERATIONS DIVISION BRIDGE GROUP STRUCTURE DETAIL	
APPROVED FOR DISTRIBUTION <i>Teon A. Nehme</i>	REINFORCED CONCRETE BOX CULVERTS INLET OR OUTLET - LEVEL WINGS CULVERT HEIGHT 8' TO 12'	
ROUTE	PROJECT NO.	FA NO.
LOCATION	DRAWING NO. SD 6.10 (2 of 2)	
		SHEET NO. OF